

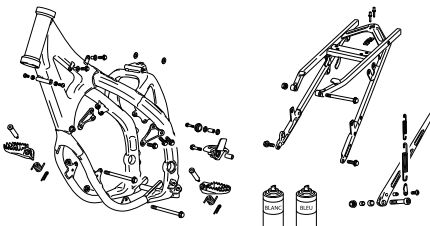
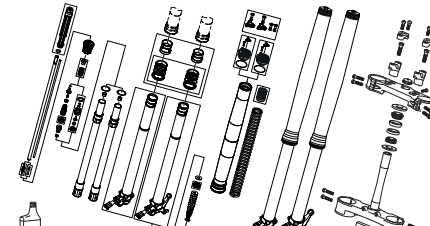
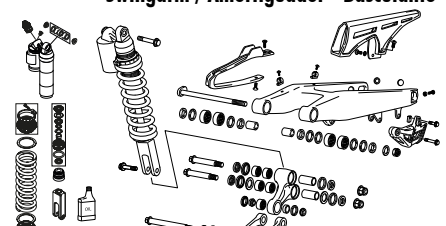
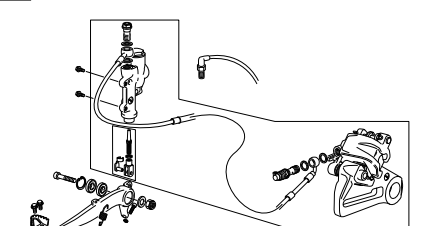
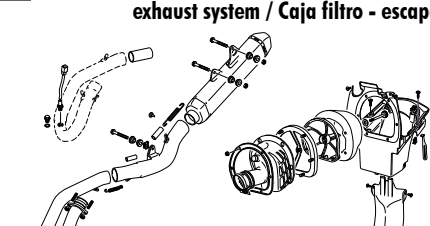
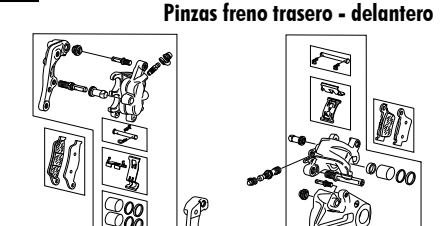
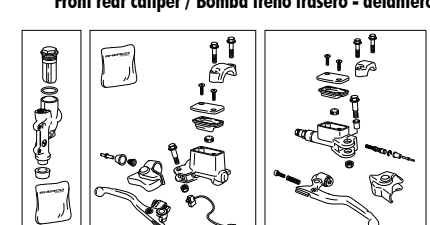
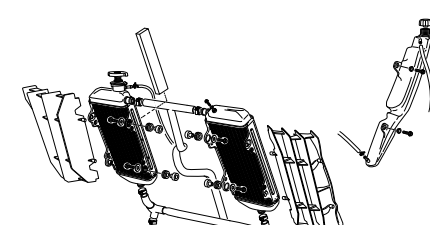
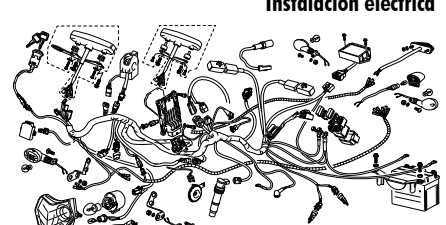
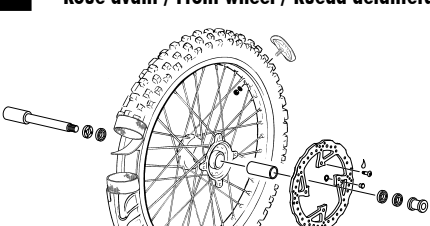
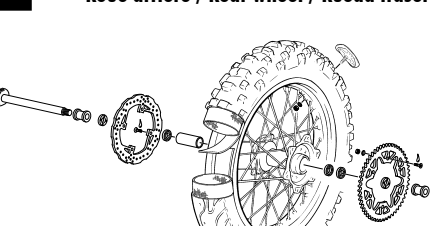
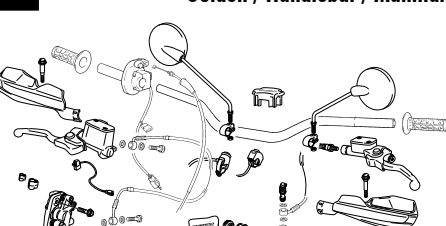
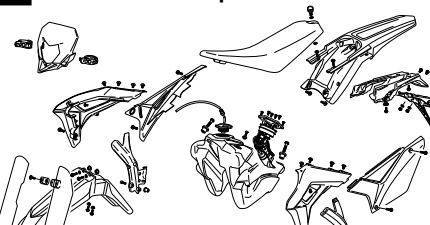
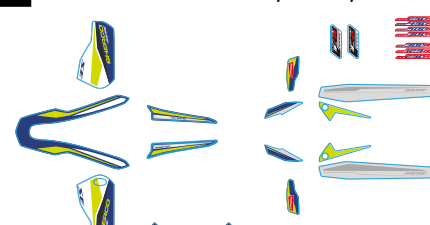
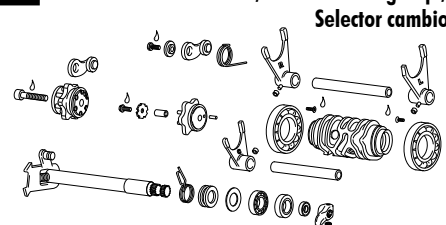
Spare part's book **20**

250 SEF-R

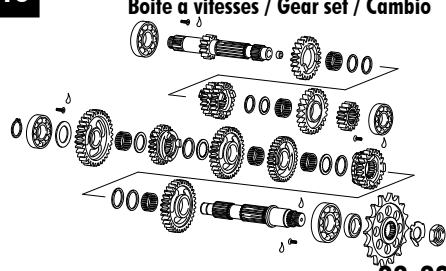
300 SEF-R

MINERVA OIL

KENNY
SHERCO
Motorcycles

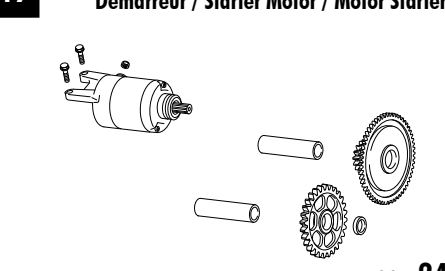
<p>1 Cadre / Frame / Chasis</p>  <p>pg. 1-2</p>	<p>2 Fourche / Fork / Horquilla WP XPLOR</p>  <p>pg. 3-4</p>	<p>3 Amortisseur - Bras oscillant / Rear Shock - Swingarm / Amortiguador - Basculante</p>  <p>pg. 5-6</p>
<p>4 Frein arrière / Rear brake / Freno trasero</p>  <p>pg. 7</p>	<p>5 Boîte filtre - échappement / Air filter box - exhaust system / Caja filtro - escape</p>  <p>pg. 8</p>	<p>6 Etrier frein arrière-avant / Front rear caliper / Pinzas freno trasero - delantero</p>  <p>pg. 9</p>
<p>7 Maître cylindre frein avant - arrière / Master cylinder front rear caliper / Bomba freno trasero - delantero</p>  <p>pg. 10</p>	<p>8 Radiateur / Radiator / Radiador</p>  <p>pg. 11</p>	<p>9 Faisceau électrique / Electrical system / Instalación eléctrica</p>  <p>pg. 12-13</p>
<p>10 Roue avant / Front wheel / Rueda delantera</p>  <p>pg. 14</p>	<p>11 Roue arrière / Rear wheel / Rueda trasera</p>  <p>pg. 15</p>	<p>12 Guidon / Handlebar / Manillar</p>  <p>pg. 16-17</p>
<p>13 Plastiques / Plastics / Plásticos</p>  <p>pg. 18-19</p>	<p>14 Adhesif / Sticker / Adhesivo</p>  <p>pg. 20</p>	<p>15 Selecteur / Gear selector group / Selector cambio</p>  <p>pg. 21</p>

16 Boite a vitesses / Gear set / Cambio



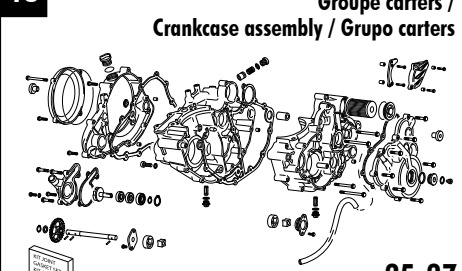
pg. 22-23

17 Demarreur / Starter Motor / Motor Starter



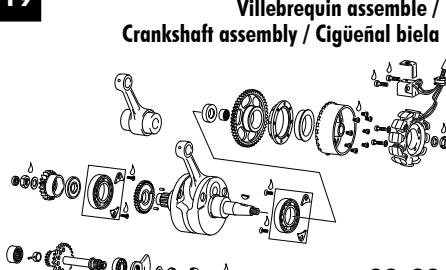
pg. 24

18 Groupe carters / Crankcase assembly / Grupo carters



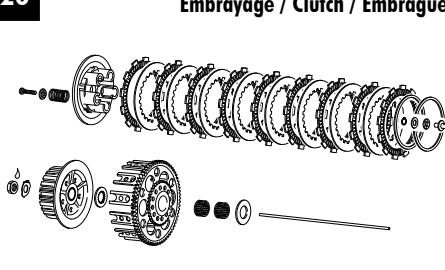
pg. 25-27

19 Villebrequin assemble / Crankshaft assembly / Cigüeñal biela



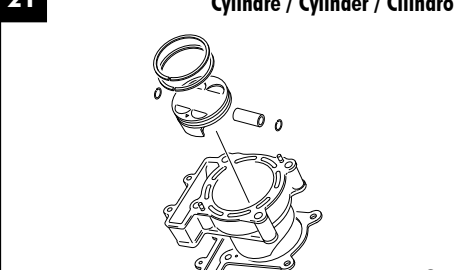
pg. 28-29

20 Embrayage / Clutch / Embrague



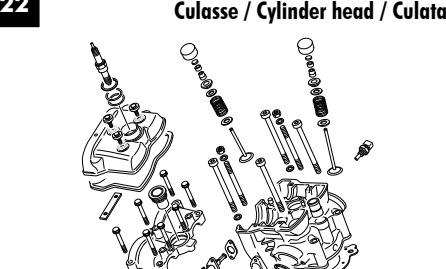
pg. 30

21 Cylindre / Cylinder / Cilindro



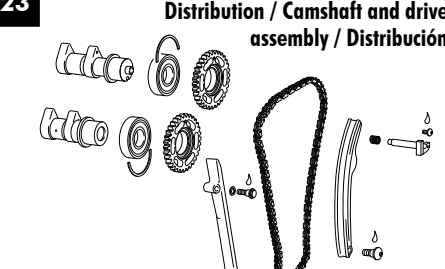
pg. 31

22 Culasse / Cylinder head / Culata



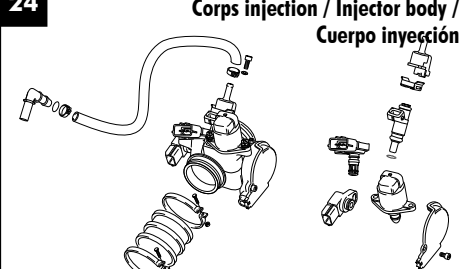
pg. 32-34

23 Distribution / Camshaft and drive assembly / Distribución



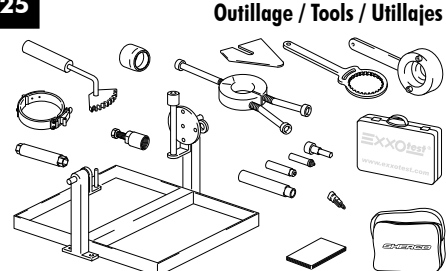
pg. 35

24 Corps injection / Injector body / Cuerpo inyección



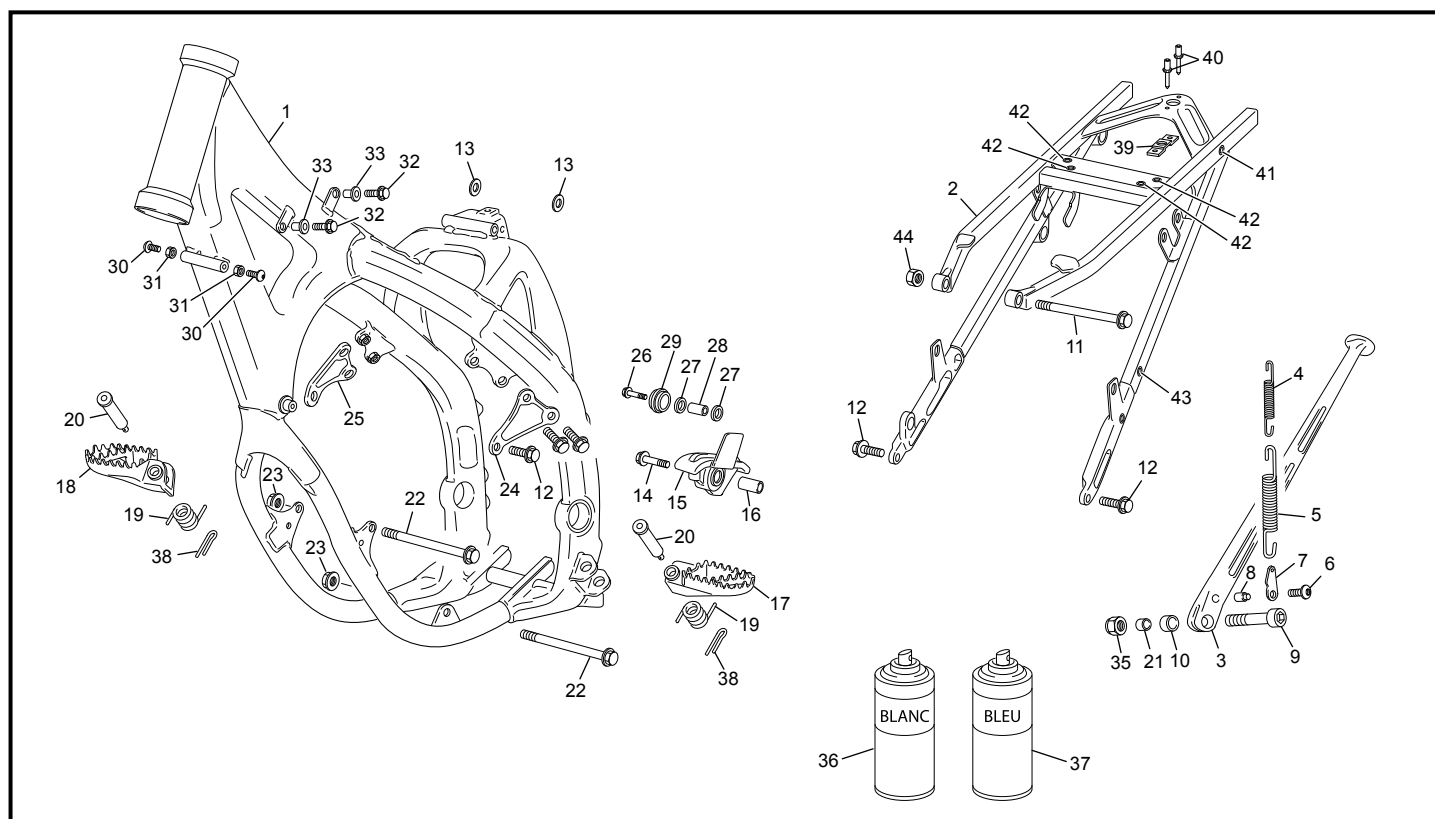
pg. 36

25 Outillage / Tools / Utillajes



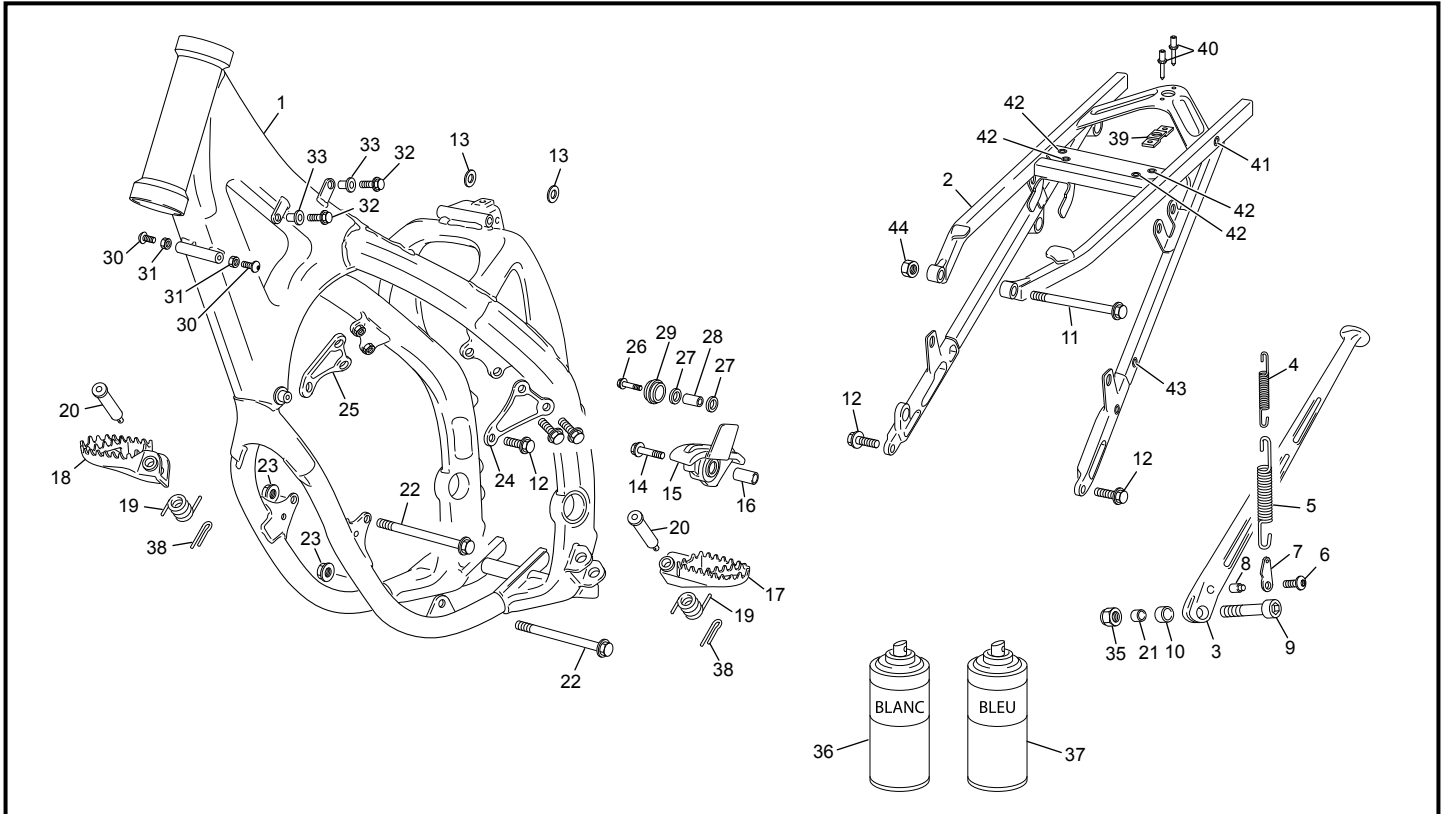
pg. 37

Cadre / Frame / Chasis



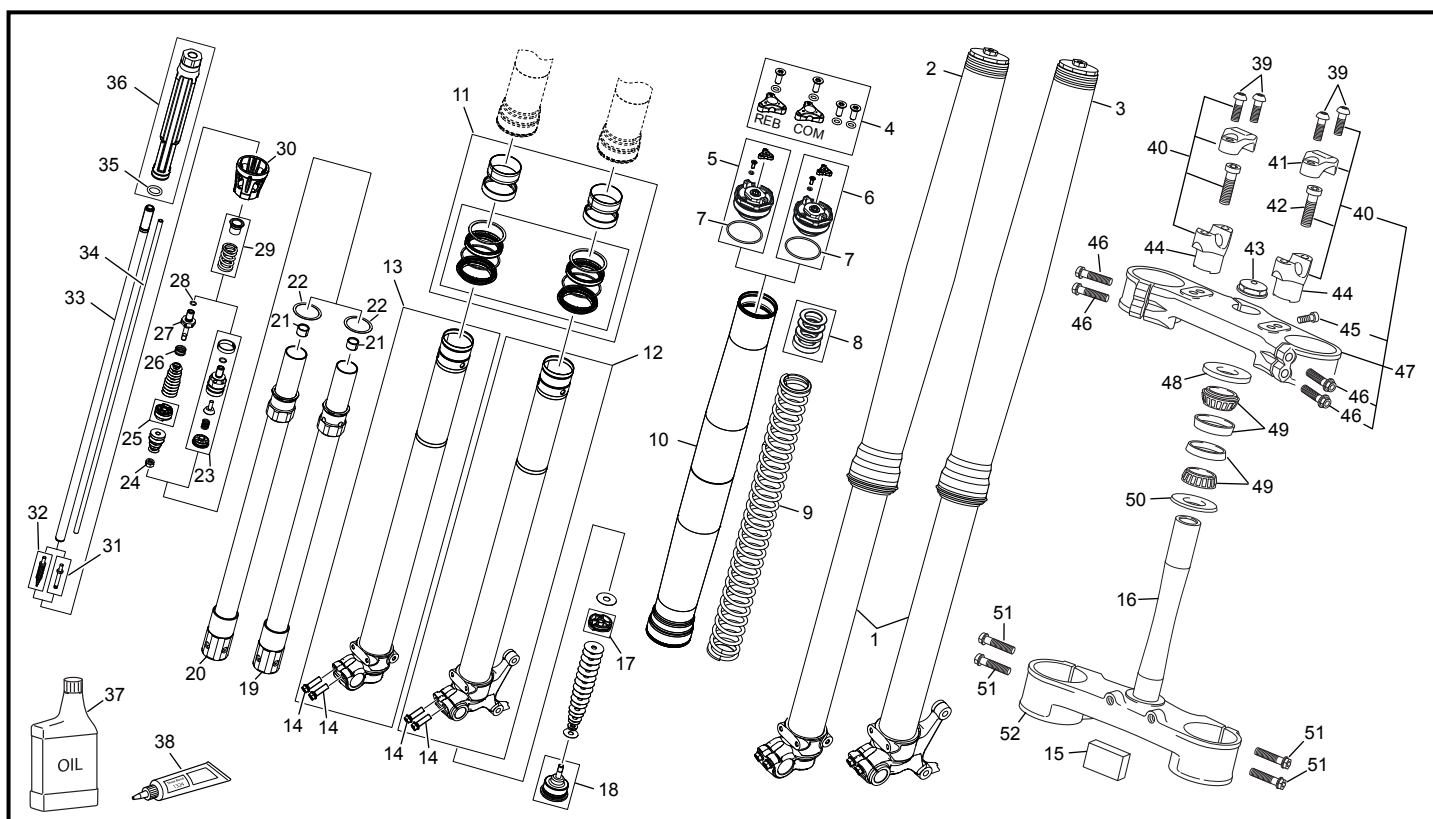
POS.	250 SEF-R RACING	300 SEF-R RACING	FRANÇAIS	ENGLISH	ESPAÑOL
1	7507	7507	CADRE PEINT 250/300 SEF BLEU EVO	FRAME PAINT 250/300 SEF BLUE EVO	CHASIS PEINT 250/300 SEF AZUL EVO
2	7293	7293	BERCEAU ARRIERE 250/300/450 SEF EVO	REAR SUB FRAME 250/300/450 SEF EVO	SOPORTE SILLIN 250/300/450 SEF EVO
3	3348	3348	BEQUILLE END 2012	SIDE STAND END 2012	CABALLETE END 2012
4	3086	3086	RESSORT DE BEQUILLE INT END 2011	STAND SPRING INT END 2011	MUELLE CABALETE INT END 2011
5	3085	3085	RESSORT BEQUILLE EXT END 2011	SPRING STAND EXT END 2011	MUELLE CABALETE EXT END 2011
6	M258	M258	VIS BHC 5 X 16 1093 Zn Ni Tr	SCREW BHC 5 X 16 Zn Ni Tr	TORNILLO 5 X 16 ULS Zn Ni Tr
7	3087	3087	PLAQUE MAINTIEN RESSORT BEQUILLE END 2012	FIXATION SIDE STAND PLATE END 2012	PLACA FIJACION CABALETTE END 2012
8	3450	3450	ENTRETOISE CAME HOMOLOGATION BEQUILLE END	SPACER SIDE STAND END	CASQUILLO CABALLETE END
9	3478	3478	VIS CHC M10 X 40 TETE BASSE ZI BLANC END 2012	STAND SCREW END 2010	TORNILLO CABALETE END 2012
10	3089	3089	ENTRETOISE RESSORT BEQUILLE END	STAND SPACER	CASQUILLO CABALETE
11	4825	4825	VIS CHC M8 X 120 DIN 912 8.8 ZI BLANC	SCREW M8 X 120 DIN 912 8.8 ZI WHITE	TORNILLO M8 X 120 DIN 912 8.8 ZI BLANCO
12	3363	3363	VIS TH EP M8 X 20	SCREW TH EP M8 X 20	TORNILLO TH EP M8 X 20
13	7617	7617	RONDELLE Ø10.5 X 20 X 1	WASHER Ø10.5 X 20 X 1	ARANDELA Ø10.5 X 20 X 1
14	0578	0578	VIS TH EP M8 X 30	SCREW TH EP M8 X 30	TORNILLO TH EP M8 X 30
15	3078	3078	PATIN DE CHAINE AVANT INFERIEUR END 2012	FRONT CHAIN GUID PLATE END 2012	PATIN CADENA DELANTERO END 2012
16	3479	3479	DOUILLE PATIN CHAINE END 2012	SPACER CHAIN GUIDE END 2012	CASQUILLO PATIN CADENA END 450
17	0227	0227	REPOSE PIED GAUCHE END	LEFT FOOT REST END	ESTRIBERO
18	0226	0226	REPOSE PIED DROIT END	RIGHT FOOT REST END	ESTIBERO DER END
19	0229	0229	RESSORT REPOSE PIED END	FOOT REST SPRING END	MUELLE ESTRIBERO END
20	6482	6482	AXE REPOSE PIED END	FOOT REST AXEL END	EJE ESTRIBERA END
21	0516	0516	ENTRETOISE INT BEQUILLE 450 / 500 END	SPACER INT STAND 450 / 500 END	CASQUILLO INT CABALETE 450 / 500 END
22	1672	1672	AXE MOTEUR 10 X 135	ENGIN AXEL 10 X 135	EJE MOTOR 10 X 135
23	0703	0703	ECROU NYLSTOP M10 EPAULE DIN 6926	NUT NYLSTOP M10 DIN 6926	TUERCA NYLSTOP M10 CON VALONA DIN 6926
24	3073	3073	SUPPORT CULASSE GAUCHE 250/300 4T	LEFT CYLINDER HEAD SUPPORT 250/300 4T	SOPORTE CULATA IZQUERDO 250/300 4T
25	3072	3072	SUPPORT CULASSE DROIT 250/300 4T	RIGHT CYLINDER HEAD SUPPORT 250/300 4T	SOPORTE CULATA DERECHO 250/300 4T
26	0578	0578	VIS TH EP M8 X 30	SCREW TH EP M8 X 30	TORNILLO TH EP M8 X 30
27	M027	M027	ROULEMENT À BILLE 608.2RSH	BALL BEARING 608.2RSH	COJINETE DE RODAMIENTO 608.2RSH
28	0556	0556	DOUILLE GALET CHAINE END 450	SPACER CHAIN WHEEL END 450	CASQUILLO ROLO CADENA END 450
29	0231	0231	GALET DE CHAINE END	ROLER CHAIN GUIDE END	ROLO CADENA END
30	M280	M280	VIS BHC 8 X 16 Zn Ni Tr PRE IMPREGNEE FAIBLE	SCREW BHC 8 X 16 Zn Ni Tr - TL 180°	TORNILLO 8 X 16 ULS Zn Ni Tr - TL 180°
31	3481	3481	ECROU BAS M8 ZI BLANC	NUT M8	TUERCA M8
32	0554	0554	VIS TH EP 5 X 20	SREW TH EP 5 X 20	TORNILLO TH EP 5 X 20
33	0597	0597	INSERT WELL NUT END 450	INSERT WELL NUT END 450	INJERTO WELL NUT END 450
34	M308	M308	ECROU CLIP M6 0500500400	NUT CLIP M6	TUERCA CLIP M6

Cadre / Frame / Chasis



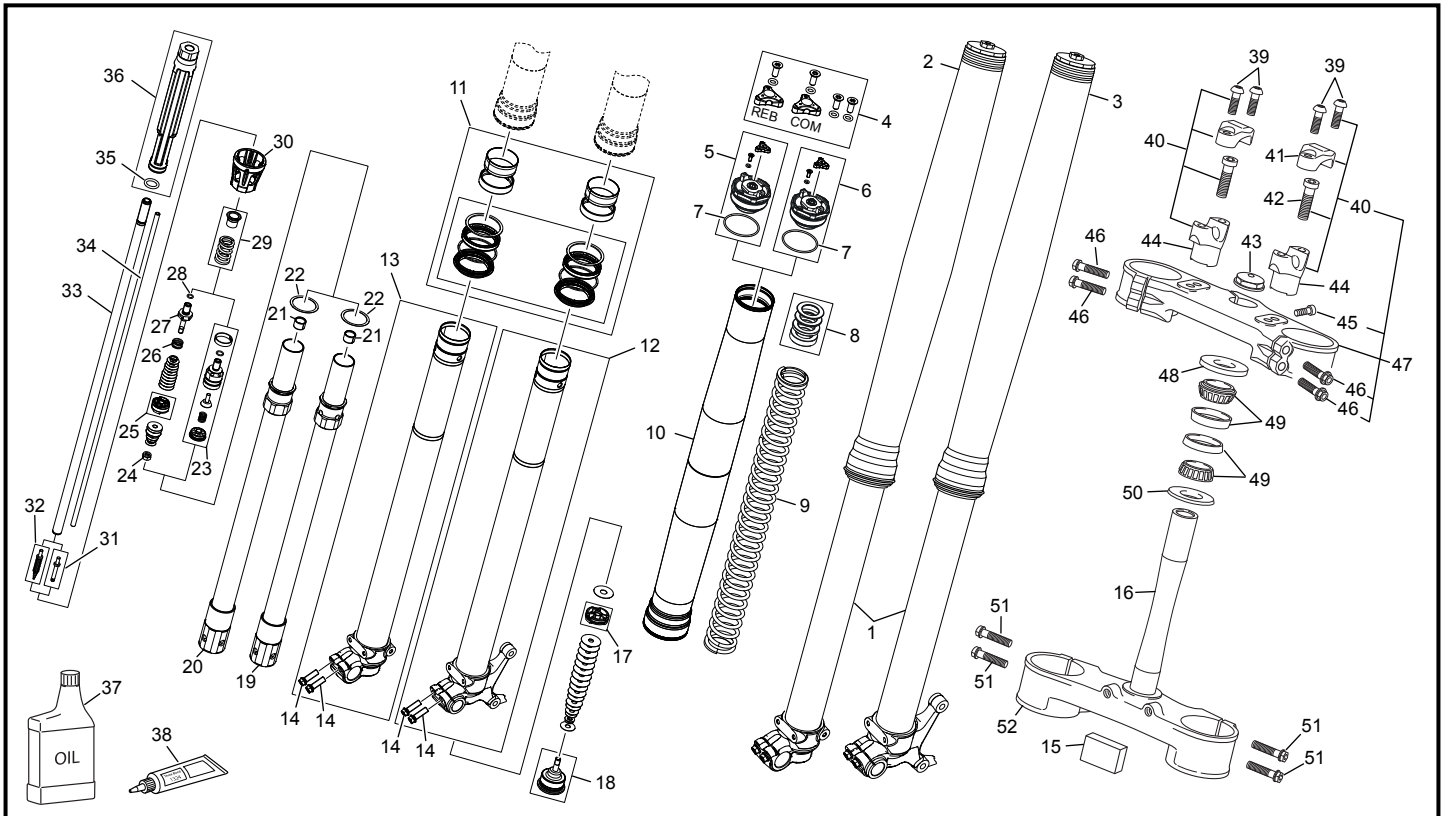
POS.	250 SEF-R RACING	300 SEF-R RACING	FRANÇAIS	ENGLISH	ESPAÑOL
35	M304	M304	ECROU NYLSTOP M10 0368.10	NUT NYLSTOP M10	TUERCA NYLSTOP M10
36	3898	3898	BOMBE DE PEINTURE RETOUCHE BLANC 250 END	CAN OF WHITE AEROSOL PAINT 250 END	POMPA AEROSOL PEINTURA WHITE 250 END
37	3897	3897	BOMBE DE PEINTURE RETOUCHE BLEU COBALT 250 END	CAN OF BLUE AEROSOL PAINT 250 END	POMPA AEROSOL PEINTURA AZUL 250 END
38	0240	0240	GOUPILLE AXE REPOSE PIED END	GOUPILLE 3.2X20 AXE FOOT REST END	PASADOR DIN 94 3.2X20 Z BLA
39	0531	0531	PLAQUE DZUS END 450	PLAQUE DZUS END 450	PLAQUE DZUS END 450
40	0701	0701	RIVET ZEBRA 3 X 10	RIVET POP DIAM 3 X 10	REMACHE 3 X 10
41	1250	1250	INSERT ECROUS 50 125 06	INSERT NUT	TUERCA DE SUPORTE SILLIN 50 125 06
42	4772	4772	INSERT RIVETE M6 FRAISE	INSERT M6	INSERT M6
43	4773	4773	INSERT RIVETE M5	INSERT M5	INSERT M5
44	M305	M305	ECROU NYLSTOP M8 0368.8	NUT NYLSTOP M8	TUERCA NYLSTOP M8

Fourche WP XPLOR / Fork WP XPLOR/ Horquilla WP XPLOR



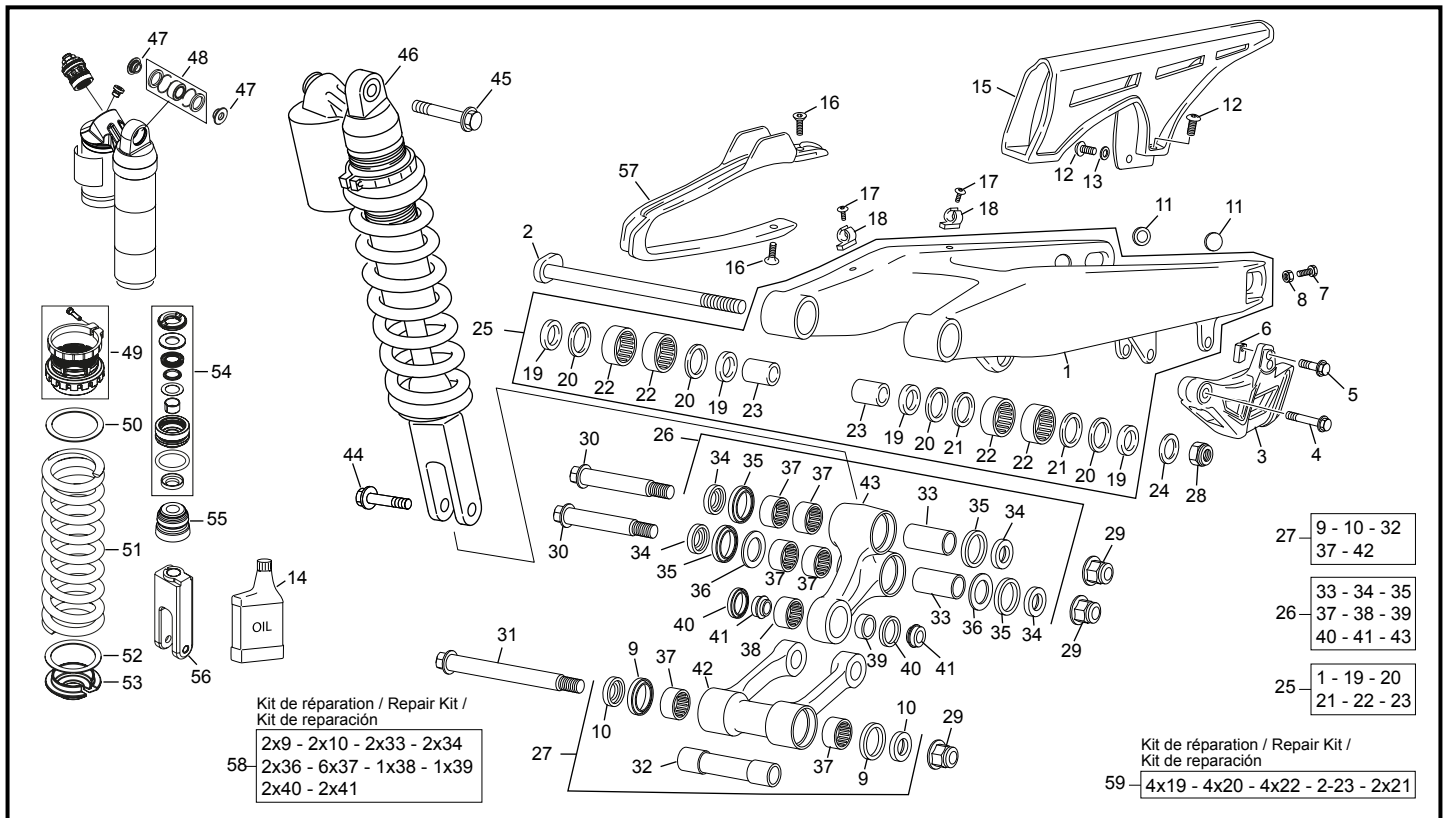
POS.	250 SEF-R RACING	300 SEF-R RACING	FRANÇAIS	ENGLISH	ESPAÑOL
1	6718	6718	FOURCHE WP XPLOR	FRONT FORK WP XPLOR	HORQUILLA WP XPLOR
2	6830	6830	JAMBE FOURCHE DROITE CPL XPLOR	RIGHT FORK LEG WP XPLOR	GAMBA HORQUILLA DER WP
3	6832	6832	JAMBE FOURCHE GAUCHE CPL WP	LEFT FORK LEG WP XPLOR	GAMBA HORQUILLA IZQUIR XPLOR
4	6835	6835	VIS DE REGLAGE COMP DETENTE	SCREW SMALL CAP	TORNILLO COMP DETENTE
5	6833	6833	BOUCHON FOURCHE XPLOR PRE CHARGE DROITE	RIGHT SCREW CAP SPRING ADJUSTABLE	XPLOR DERECHA HORQUILLA AJUSTABLE
6	6834	6834	BOUCHON FOURCHE XPLOR PRE CHARGE GAUCHE	LEFT SCREW CAP SPRING ADJUSTABL	XPLOR IZQUIERDA HORQUILLA AJUSTABLE
7	6836	6836	O-RING 46X2 NBR	O-RING 46X2 NBR	O-RING 46X2 NBR
8	6837	6837	RESSORT ENTRETOISE	SPRING SPACER	MUELES CASQUILLO
9	6838	6838	RESSORT 4.2 65-75 KG	SPRING 4.2 65-75 KG	MUELES 4.2 65-75 KG
9	6839	6839	RESSORT STD 4.4 75-85 KG	SPRING STD 4.4 75-85 KG	MUELES STD 4.4 75-85 KG
9	6840	6840	RESSORT STD 4.6 -85-95 KG	SPRING STD 4.6 -85-95 KG	MUELES STD 4.6 -85-95 KG
10	6842	6842	TUBE EXTERRIER XPLOR	OUTER TUBE XPLOR	TUBO EXTERNO XPLOR
11	6871	6871	KIT REPARATION FOURCHE WP	KIT REPAIR WP FORK	KIT REPARACION HORQUILLA WP
12	6872	6872	TUBE DE FOURCHE GAUCHE COMPLET	LEFT AXLE CLAMP TUBE CPL.	GRUPO TUBO IZQUIERDO
13	6873	6873	TUBE DE FOURCHE DROITE COMPLET	AXLE CLAMP RIGHT+TUBE CPL.	GRUPO TUBO DERECHO
14	6874	6874	VIS M8X25	SCREW M8X25	TORNILLO M8X25
15	3924	3924	ADHESIF GUIDE DURITE END 12	DECALC HOSE GUIDE END 12	AD. PATIN TUBOS END 12
16	0348	0348	PIVOT DIRECTION END 450	STEERING AXEL END 450	EJE DIRECTION END 450
17	6875	6875	PISTON COMPRESSION	COMPRESSION PISTON	GRUPO TUBO DERECHO
18	6876	6876	BOUCHON COMPLET	PLUG SET	GRUPO TUBO DERECHO
19	6877	6877	TUBE INTERNE GAUCHE	INTERNAL TUBE	GRUPO TUBO INTRNO IZQUIERDA
20	6878	6878	TUBE INTERNE DROIT	INTERNAL TUBE RIGHT	GRUPO TUBO INTRNO DERECHA
21	6937	6937	ENTRETOISE GUIDAGE	BUSH GUIDE	GUÍA DE SEPARADOR
22	6938	6938	RONDELLE 27,5X33X0,3	WASHER 27,5X33X0,3	ARRANDELA 27,5X33X0,3
23	6939	6939	GROUPE COMPRESSION	COMP GROUP	GRUPO DE COMPRESIÓN
24	6940	6940	ECROU	SREW	GRUPO DE COMPRESIÓN
25	6941	6941	PISTON COMPLET	PISTON SET	PISTON JUEGO
26	6942	6942	RESSORT CONIQUE	CONICAL SPRING	MUELLES CONICO
27	6943	6943	BOUCHON DETENTE	REBOUD PLUG	TAPÓN DE DESCANSO
28	6944	6944	O-RING 6X1,2 NBR	O-RING 6X1,2 NBR	O-RING 6X1,2 NBR
29	6945	6945	RESSORT DETENTE	REBOUND SPRING	REBOTE MUELLES
30	6946	6946	SUPPORT RESSORT	REBOUND SPRING	SOPORTE MUELLES
31	6947	6947	AIGUILLE	NEDDLE	AGUJA
32	6948	6948	AIGUILLE	NEDDLE	AGUJA

Fourche WP XPLOR / Fork WP XPLOR/ Horquilla WP XPLOR



POS.	250 SEF-R RACING	300 SEF-R RACING	FRANÇAIS	ENGLISH	ESPAÑOL
33	6949	6949	TIGE ALUMINIUM	ALUMINIUM STEM	BARRA DE ALUMINIO
34	6950	6950	TUBE	TUBE	TUBO
35	6951	6951	O RING 11X2,5 NBR	O RING 11X2,5 NBR	O RING 11X2,5 NBR
36	6952	6952	HYDR STOP	HYDR STOP	HYDR STOP
37	4684	4684	HUILE SAE 4 FOURCHE WP 5L	OIL SAE 4 WP FORK 5L	OIL SAE 4 HORQUILLA WP 5L
38	3684	3684	GRAISSE SILICONE FOURCHE WP	SILICONE GREASE WP FORK	SILICONE GRASA HORQUILLA
39	6874	6874	VIS M8X25	SCREW M8X25	TORNILLO M8X25
40	3901	3901	BRIDE GUIDON COMPLETE END 2012	HANDELBAR HOLDER SET END 2012	BRIDA INF MANILLAR JUEGO END 2012
41	3256	3256	BRIDE GUIDON SUPERIEURE END	BRIDE SUP HANDLE BAR END	BRIDA SUPERIOR MANILLAR END
42	3255	3255	VIS CHC M10 X35 NEKEN	SCREW CHC M10 X35 NEKEN	TORNILLO CHC M10 X35 NEKEN
43	0460	0460	ECROU PIVOT DIRECTION END 450	STEERING AXEL BOLT END 450	TUERCA EJE DIRECTION END 450
44	3257	3257	BRIDE GUIDON INFERIEURE 42.5 END 2011	BRIDE INF HANDLE BAR 42.5 END 2011	BRIDA INFERIOR 42.5 MANILLAR END 2011
44	3258	3258	BRIDE GUIDON INFERIEURE 50 MM END 2011	BRIDE INF HANDLE BAR 50MM END 2011	BRIDA INFERIOR 50MM MANILLAR END 2011
44	3259	3259	BRIDE GUIDON INFERIEURE 57.5 MM END 2011	BRIDE INF HANDLE BAR 57.5MM END 2011	BRIDA INFERIOR 57.5MM MANILLAR END 2011
45	6874	6874	VIS M8X25	SCREW M8X25	TORNILLO M8X25
46	8397	8397	VIS TH EP M8 X 35 TORX	SCREW SPECIAL M 8 X 35 TORX	TORNILLO HEXA M8 X 35 TORX
47	7597	7597	T FOURCHE SUP COMPLET SEF SE RACING	UPPER PLAT FORK SET RACING SEF SE 2019	PLATINA SUP HORQUILLA JUEGO FRACING 2019
48	0354	0354	PROTECTEUR SUP COLONNE DIRECTION END 450	PROTECTOR DIRECTION BEARING END 450	PROTECTOR COJINET DIRECTION END 450
49	0353	0353	ROULEMENT DIRECTION 320/28X/Q END	BEARING 320/28X/Q END	COJINET DIRECTION 320/28X/Q END
50	0410	0410	JOINT DIRECTION INF END	SEAL DIRECTION END	JUNTA DIRECTION INF END
51	8397	8397	VIS TH EP M8 X 35 TORX	SCREW SPECIAL M 8 X 35 TORX	TORNILLO HEXA M8 X 35 TORX
52	7607	7607	T FOURCHE INF COMPLET RACING SEF SE 2019	LOWER PLATE FORK SET RACING 2019	PLATINA INF HORQUILLA RACING END 2019

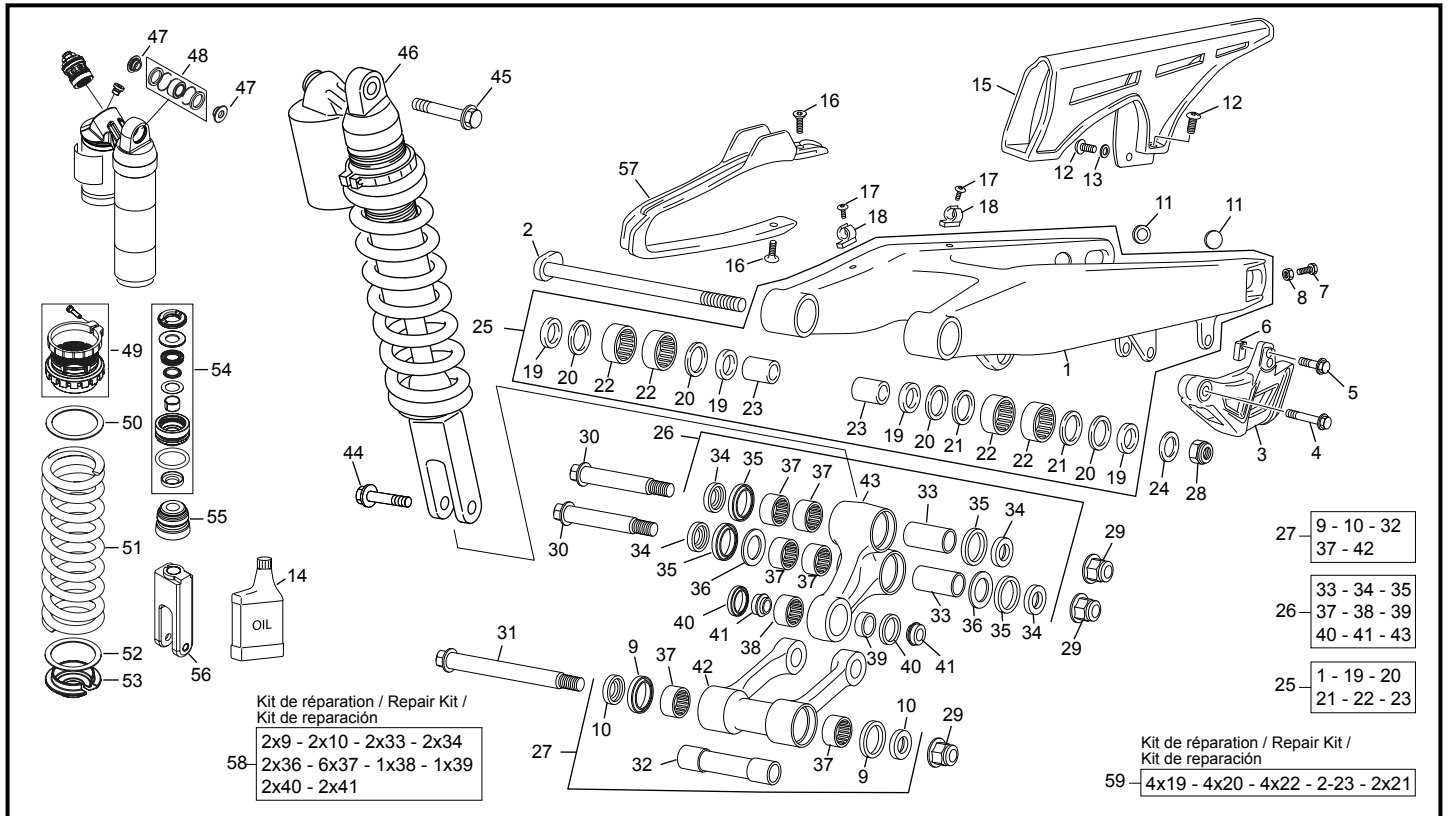
Amortisseur - Bras oscillant / Rear Shock - Swingarm / Amortiguador - Basculante



POS.	250 SEF-R RACING	300 SEF-R RACING	FRANÇAIS	ENGLISH	ESPAÑOL
1	8144	8144	BRAS OSCILLANT SE SEF EVO2	SWINGARM SE SEF EVO2	BASCULANTE SE SEF EVO2
2	0451	0451	AXE BRAS END 450	AXEL SWINGARM END 450	EJE BASCULANTE END 450
3	4533	4533	GUIDE CHAÎNE END RACING BLEU	CHAIN GUID END RACING BLUE	GUIDA CADENA END RACING AZUL
4	0549	0549	VIS TH EP 6 X 45	SREW TH EP 6 X 45	TORNILLO TH EP 6 X 45
5	0546	0546	VIS TH EP 6 X 20	SREW TH EP 6 X 20	TORNILLO TH EP 6 X 20
6	2343	2343	ECROU SPECIAL PATIN DE CHAÎNE(2 PIECES)	CHAIN GUIDE SCREW (2 PARTS)	TUERCA ESPECIAL CHAIN GUIDE (2 PIEZAS)
7	0462	0462	VIS TENDEUR DE CHAÎNE	TENSOR CHAIN SCREW	TORNILLO TENSOR CADENA
8	M272	M272	ECROU EMBASE X8 0692	COLLAR HEX NUT M8	TUERCA CON VALONA M8
9	6493	6493	JOINT LEVRE 25X32X4	OIL SEAL 25X32X4	RETEN 25X32X4
10	8137	8137	RONDELLE ENTRETOISE BIELLETTE H EVO2	H LINK SPACER WASHER SE SEF EVO2	CASQUILLO ARRANDELA BIELETA H SE SEF EVO2
11	1103	1103	BOUCHON DE BRAS OSCILLANT GRIS 450	COVER SWING ARM AXLE 450	TAPAFINAL REDONDO GRIS BASCULANTE 450
12	M283	M283	VIS BHC 6 X 16 1093 ZI NI TR	SCREW BHC 6 X 16 ZI NI TR	TORNILLO 6 X 16 ULS ZI NI TR
13	C427	C427	RONDELLE M6 X 15	WASHER M6 X 15	ARANDELA M6 X 15
14	3694	3694	HUILE AMORTISSEUR WP 5L	OIL SAE 5 WP AMORTIGUADOR 5L	OIL AMORTIGUADOR WP 5L
15	0298	0298	CARTER DE CHAÎNE END 450	CHAIN PROTECTOR END 450	CADENA PRODECTOR END 450
16	C432	C432	VIS FHC M6 X 16	SCREW FHC M6 X 16	TORNILLO FHC M6 X 16
17	M278	M278	VIS BHC 5 X10 1093 ZN NI TR TUFLOK180	SCREW BHC 5X10 ZN NI TR TUFLOK 180	TORNILLO 5 X 10 ULS ZN NI TR TUFLOK 180
18	0307	0307	GUIDE DURITE FREIN AR END 450	HOSE BRACK HOLDER END 450	SUPPORTO TUBO FRENO END 450
19	0440	0440	ENTRETOISE ETANCHEITE BRAS 22X28X5	SPACER SWING ARM 22X28X5	CASQUILLO BASCULANTE 22X28X5
20	0292	0292	JOINT LEVRE 28X35X4	OIL SEAL 28X35X4	RETEN 28X35X4
21	0398	0398	RONDELLE CALAGE BRAS OSCILLANT 22 X 0.8	WASHER SWING ARM 22 X 0.8	ARANDELA REGLAJE 22 X 0.8
22	0290	0290	DOUILLE AIGUILLE HK 2216	NEEDLE BEARING HK 2216	CASQUILLO AGUJAS HK 2216
23	0291	0291	ENTRETOISES INTERNE 17X22X38	SPACER INTERNE 17X22X38	CASQUILLO INTERNE 17X22X38
24	C426	C426	RONDELLE M16	WASHER M16	ARANDELA M16
25	6686	6686	BRAS OSCILLANT END COMPLET	SWINGARM END ASSEMBLY	BASCULANTE END COMPLETO
26	8444	8444	BIELLETTTE DELTA END 250/510 COMPLETE EVO	LINK DELTA END 250/510 END ASSEMBLY EVO	TRAPECIO END 250/510 END COMPLETO EVO
27	8443	8443	BIELLETTTE H END COMPLETE D14 EVO	FORK LINK END ASSEMBLY D14 EVO	BIELETA H END COMPLETA D14 EVO
28	7506	7506	ECROU BRAS OSCILLANT SE SEF EVO	REAR BOLT SWINGARM AR SE SEF EVO	TUERCA BASCULANTE SE SEF EVO
29	0444	0444	ECROU NYLSTOP EPAULE M12	SCREW NYLSTOP EPAULE M12	TUERCA AUTOBLOCANTE CON VALONA M12 BOSSARD
30	6489	6489	AXE BIELLETTE DELTA M14 SE SEF	AXEL DELTA LINK M14 SE SEF	EJE BIELETA DELTA M14 SE SEF
31	6492	6492	AXE BIELLETTE H 14 MM SE SEF	AXEL FORK LINK 14 MM SE SEF	EJE BIELETA H 14 MM SE SEF
32	8148	8148	ENTRETOISE BIELLETTE H SE SEF 14MM	H LINK SPACER SE SEF 14 MM	CASQUILLO BIELETA H SE SEF 14 MM
33	6486	6486	ENTRETOISE CAGE AIGUILLES BIELLETTE DELTA SE SEF	DELTA LINK SPACER SE SEF	CASQUILLO BIELETA DELTA SE SEF
34	6485	6485	RONDELLE ENTRETOISE BIELLETTE DELTA SE SEF	DELTA LINK SPACER WASHER SE SEF	CASQUILLO ARRANDELA BIELETA DELTA SE SEF

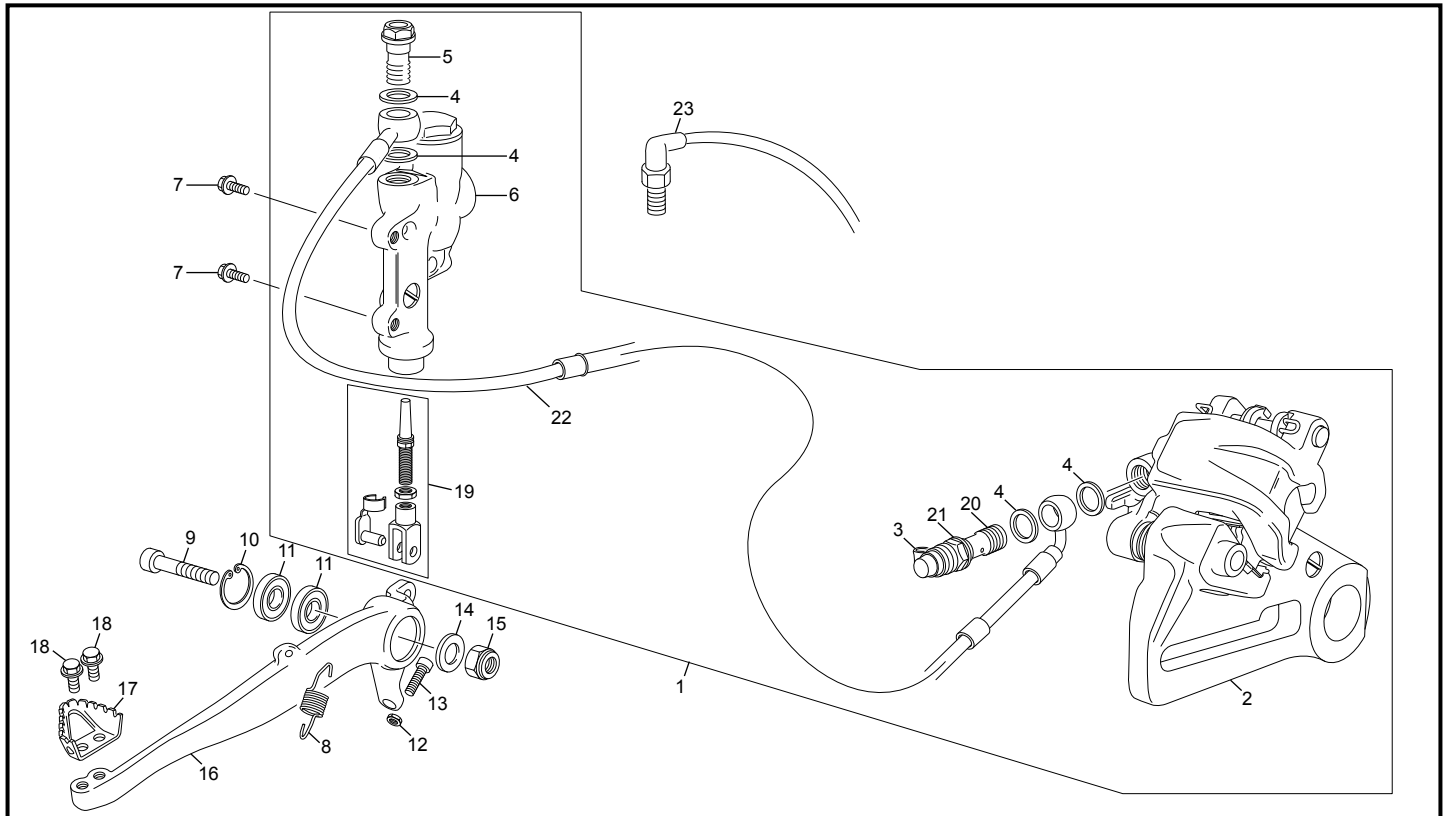
*Sherco se réserve les droits de modification des références, merci de contrôler sur le portail Sherconetwork avant toute commande. - *Sherco reserves the right to make change on the references, please check on your Sherconetwork portal before ordering.
 *Sherco se reserva el derecho para hacer modificaciones sobre las referencias. Por favor, verifica en el Sherconetwork antes de hacer un pedido.

Amortisseur - Bras oscillant / Rear Shock - Swingarm / Amortiguador - Basculante



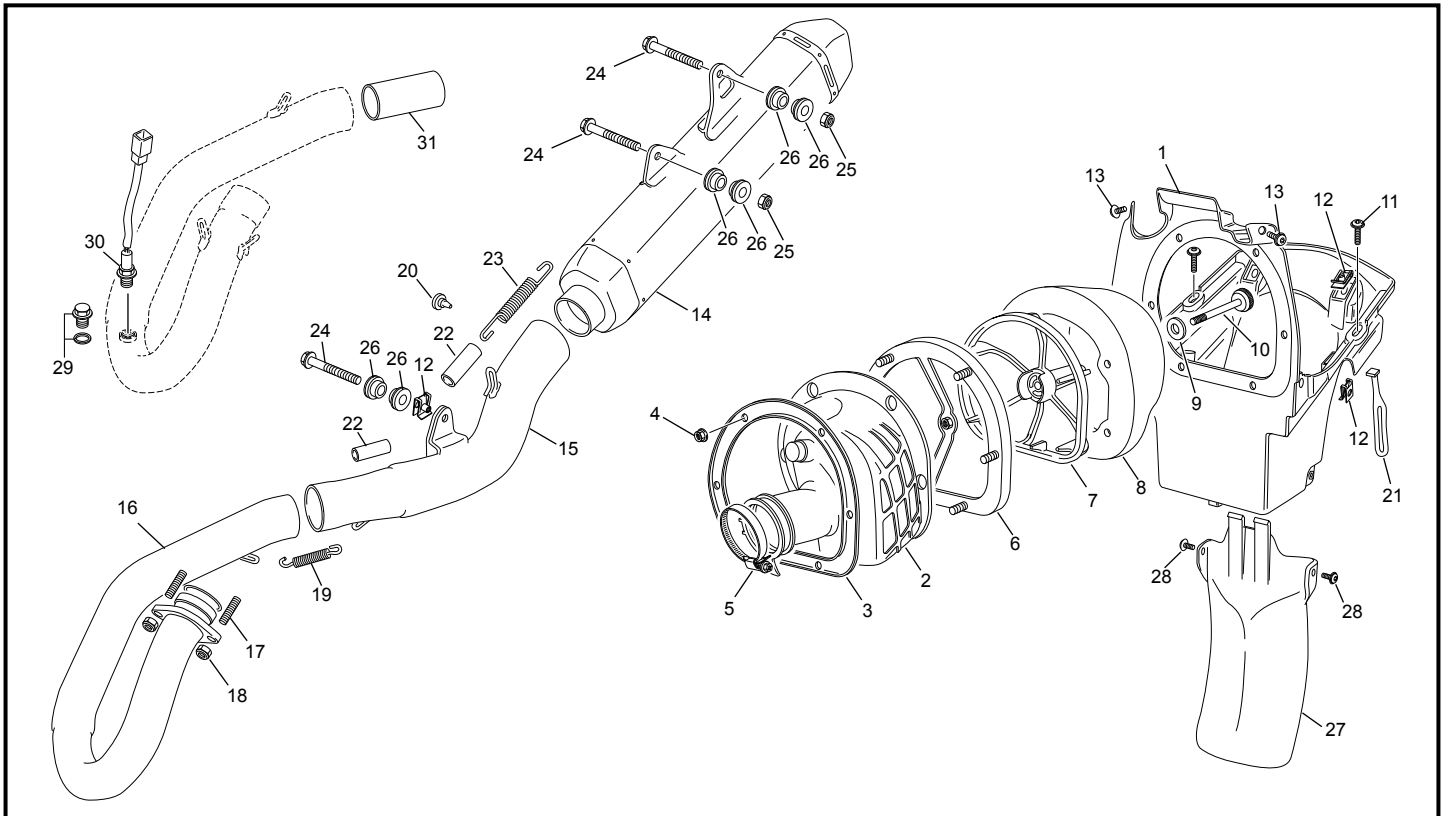
POS.	250 SEF-R RACING	300 SEF-R RACING	FRANÇAIS	ENGLISH	ESPAÑOL
35	6493	6493	JOINT LEVRE 25X32X4	OIL SEAL 25X32X4	RETEN 25X32X4
36	6484	6484	RONDELLE CALAGE 20X31.5X1	WASHER 20X31.5X1	ARANDELA 20X31.5X1
37	6495	6495	DOUILLE AIGUILLE JOINTIVE DL 20X26X16	NEEDLE BEARING DL 20X26X16	CASQUILLO AGUJAS DL 20X26X16
38	8139	8139	DOUILLE AIGUILLE JOINTIVE 20X26X12 19X1	NEEDLE BEARING 20X26X12 19X1	CASQUILLO AGUJAS 20X26X12 19X1
39	8142	8142	ENTRETOISE AMORTISSEUR SE SEF EVO2	SHOCK ABSORBER SPACER SE SEF EVO2	CASQUILLO AMORTIGUADOR SE SEF EVO2
40	8143	8143	JOINT SPI	OIL SEAL	RETEN
41	8141	8141	RONDELLE ENTRETOISE INF AMORTISSEUR SE SEF	LOW SHOCK ABSORBER SPACER WASHER SE SEF	CASQUILLO ARRANDELA AMORTIGUADOR SE SEF
42	8138	8138	BIELLE H SE SEF EVO2	FORK LINK SE SEF EVO2	BIELETA H SE SEF EVO2
43	8140	8140	BIELLETTA DELTA SE SEF EVO2	LINK DELTA SE SEF EVO2	TRAPECIO END SE SEF EVO2
44	0438	0438	AXE AMMORTISSEUR INF M10X37	AXEL SHOK ABSORBEUR INF M10X37	EJE AMORTIGUADOR INF M10X37
45	0478	0478	AXE AMORTISSEUR SUP M10 X51 END 450	AXEL REAR SHOCK SUP M10 X 51 END 450	EJE SUP AMORTIGUADOR M10 X 51 END 450
46	6375	6375	AMORTISSEUR 250/300 2T/4T END EVO	SHOCK ABSORBER 250/300 2T/ 4T END EVO	AMORTIGUADOR 250/300 2T/4T END EVO
47	6606	6606	ENTRETOISE ROTULE	KNEECAP REAR SHOCK SPACER	DISTANCIAL ROTULA
48	6605	6605	ROTULE AMORTISSEUR	KNEECAP REAR SHOCK ABSORBER	ROLTULA AMORTIGUADOR
49	6608	6608	BAGUE PASTIQUE	PLASTIC RING	ARANDELA DE PLASTICO
50	3688	3688	RONDELLE RESSORT WP END	WASHER WP	ARANDELA AMORTIGUADOR WP
51	6624	6624	RESSORT AMORTISSEUR WP END 48N/MM 65/75KG	SPRING 48N/MM 65/75KG	MUELES AMORTIGUADOR 48N/MM 65/75KG
51	6625	6625	RESSORT AMORTISSEUR WP END STANDARD 51N/MM 75/85KG	SPRING 51 N/MM 75/85 KG WP	MUELES AMORTIGUADOR 51 N/MM 75/85 KG WP
51	6626	6626	RESSORT AMORTISSEUR WP END 54 N/MM 85/95KG	SPRING 54 N/MM 85/95KG	MUELES AMORTIGUADOR 54 N/MM 85/95KG
52	6609	6609	RONDELLE RESSORT INFERIEURE	INF WASHER SPRING	ARANDELA DEL MUELLE SUPERIOR
53	3689	3689	COUPELLE RESSORT AMORTISSEUR WP END	SPRING RETAINER WP	SOMBRERERE AMORTIGUADOR WP
54	6610	6610	KIT REPARATION	REPAIR KIT	KIT DE REPARACION
55	6611	6611	TAMPON FIN DE COURSE	REAR SHOCK RUBBER STAMP	GOMA FIN DE CORSA
56	6607	6607	PIED D'AMORTISSEUR	REAR SHOCK MONTING FORK	BRIDA HORQUILLA AMORTIGUADOR
57	0297	0297	PATIN DE CHAINE END 450	CHAIN GUID PLATE END 450	PATIN CADENA END 450
58	8451	8451	KIT REFLECTION BIELLETTA DELTA ET H 14MM 2020	REBUILT KIT LINKAGE BEARING 14MM 2020	KIT DE RECONSTRUCCIÓN BIELLETTA DELTA Y H 14MM 2020
59	8450	8450	KIT REFLECTION BRAS OSCILLANT SE SEF	REBUILT KIT SWIGN ARM SE SEF	KIT DE RECONSTRUCCIÓN BASCULENTE SE SEF

Frein arrière / Rear brake / Freno trasero



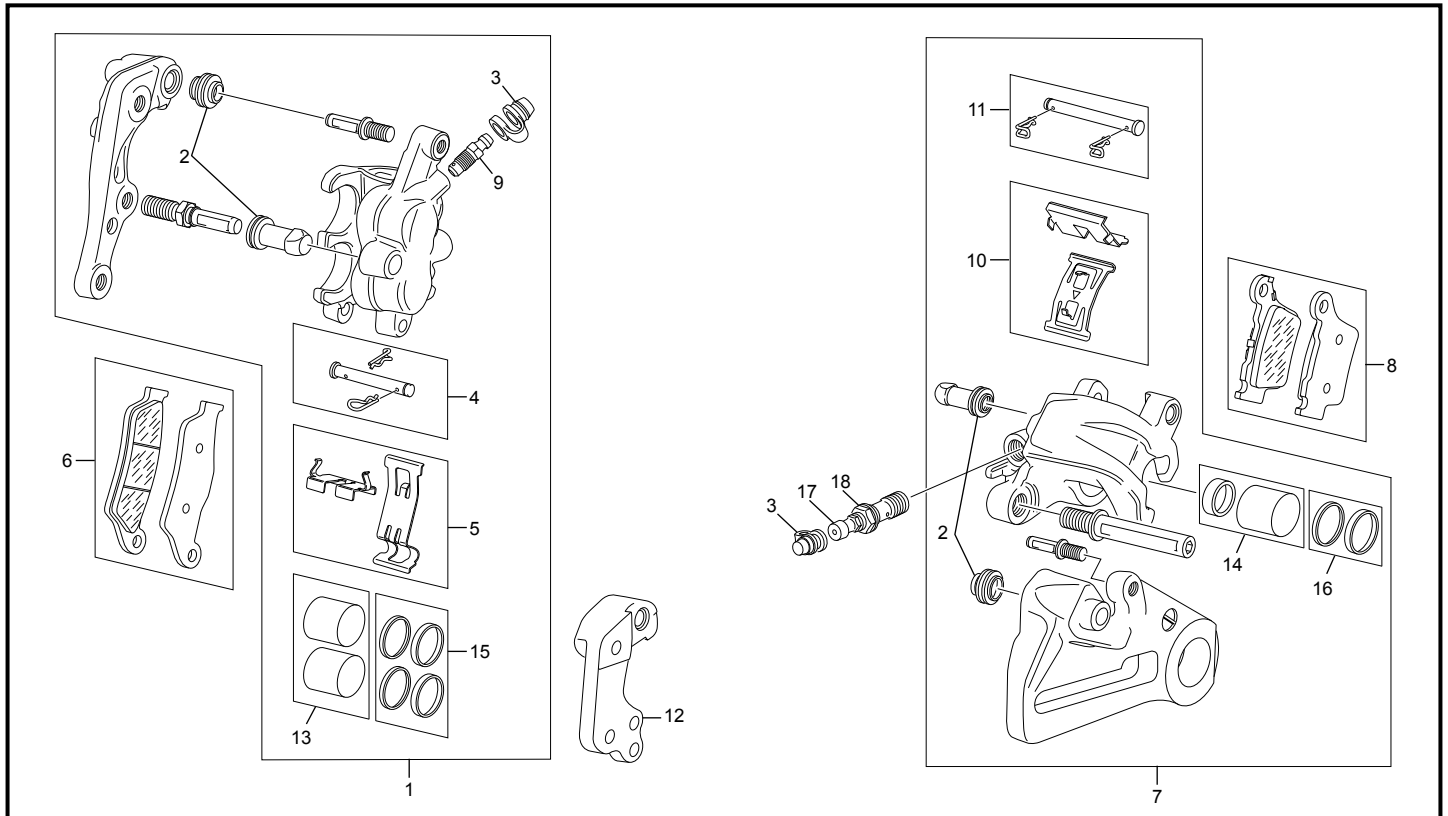
POS.	250 SEF-R RACING	300 SEF-R RACING	FRANÇAIS	ENGLISH	ESPAÑOL
1	8310	8310	GROUPE FREIN AR. CPL SE SEF EU 4	REAR BRAKE SYSTEM ASSY SE SEF EU 4	CTO FRENO TRAS SE SEF EU 4
2	3559	3559	ETRIER FREIN AR BREMBO END	REAR CALIPER BREMBO END	PINZA FRENO TRASERA BREMBO END
3	3618	3618	PROTECTION VIS DE PURGE END 12	DUST COVER END 12	PROTECCIÓN TORNILLO DE PURGA END 12
4	3620	3620	RONDELLE BANJO END BREMBO	COPPER WASHER END BREMBO	ARANDELLA BANJO END BREMBO
5	3619	3619	VIS RACCORD BANJO END 2.5/3.0 12	BANJO BOLT END 12	TORNILLO RACORD END 12
6	3560	3560	POMPE FREIN AR END 2.5/5.1 12	REAR MASTER CYLINDER 2.5/5.1 12	BOMBA FRENO TRASERO 2.5/5.1 12
7	0943	0943	VIS TH EP 6 X 12	SCREW TH EP M6 X 12	TORNILLO TH EP M6 X 12
8	0336	0336	RESSORT PEDALE FREIN END	REAR BRAKE LEVER SPRING END	MUELLE PALANCA FRENO END
9	2926	2926	VIS SPECIALE CHC M10 X 48	SCREW CHC M10 X 48	TORNILLO CHC M10 X 48
10	2925	2925	CIRCLIP ALESAGE 26 X 1.2	CIRCLIP CYLINDER 26 X 1.2	CIRCLIP 26 X 1.2
11	2924	2924	ROULEMENT 6000 2RS 26X10X8	BEARING 6000 2RS 26X10X8	RODAMIENTO 6000 2RS 26 X 10 X 8
12	3556	3556	ECROU M6 BAS ZI	SCREW M6	TUERCA M6
13	C410	C410	VIS CHC M6 X 25	SCREW CHC M6 X 25	TORNILLO CHC M6 X 25
14	C424	C424	RONDELLE M10	WASHER M10	ARANDELA M10
15	0703	0703	ECROU NYLSTOP M10 EPAULE DIN 6926	NUT NYLSTOP M10 DIN 6926	TUERCA NYLSTOP M10 CON VALONA DIN 6926
16	3496	3496	PEDALE DE FREIN AR END 2012	REAR BRAKE LEVER END 2012	PALANCA FRENO TRAS END 2012
17	2153	2153	EMBOUIT PEDAL FREIN END EVO	POINT BREAK PEDAL END EVO	PUNTERA PEDAL FRENO END EVO
18	0655	0655	VIS TH EP 5 X 10	SREW TH EP 5 X 10	TORNILLO TH EP 5 X 10
19	3520	3520	TIGE DE PEDALE DE FREIN END 12	BRAKE PEDAL ROD END 12	VARILLA PEDAL DE FRENO END 12
20	3640	3640	RACCORD BANJO END 12	BANJO BOLT	TORNILLO BANJO BREMBO
21	3639	3639	PURGEUR BREMBO END 12	BLEEDER SCREW BREMBO	TORNILLO DE PURGA BREMBO
22	3562	3562	DURITE FREIN AR END 2.5/5.1 12	REAR BRAKE HOSE END 2.5/5.1 12	LATIGUILLO FRENO TRASERO END 2.5/5.1 12
23	0625	0625	INTERUPTEUR FREIN	BRAKE ELECTRIC CONTACT	INTERUPTOR FRENO

Boîte filtre - échappement / Air filter box - exhaust system / Caja filtro - escape



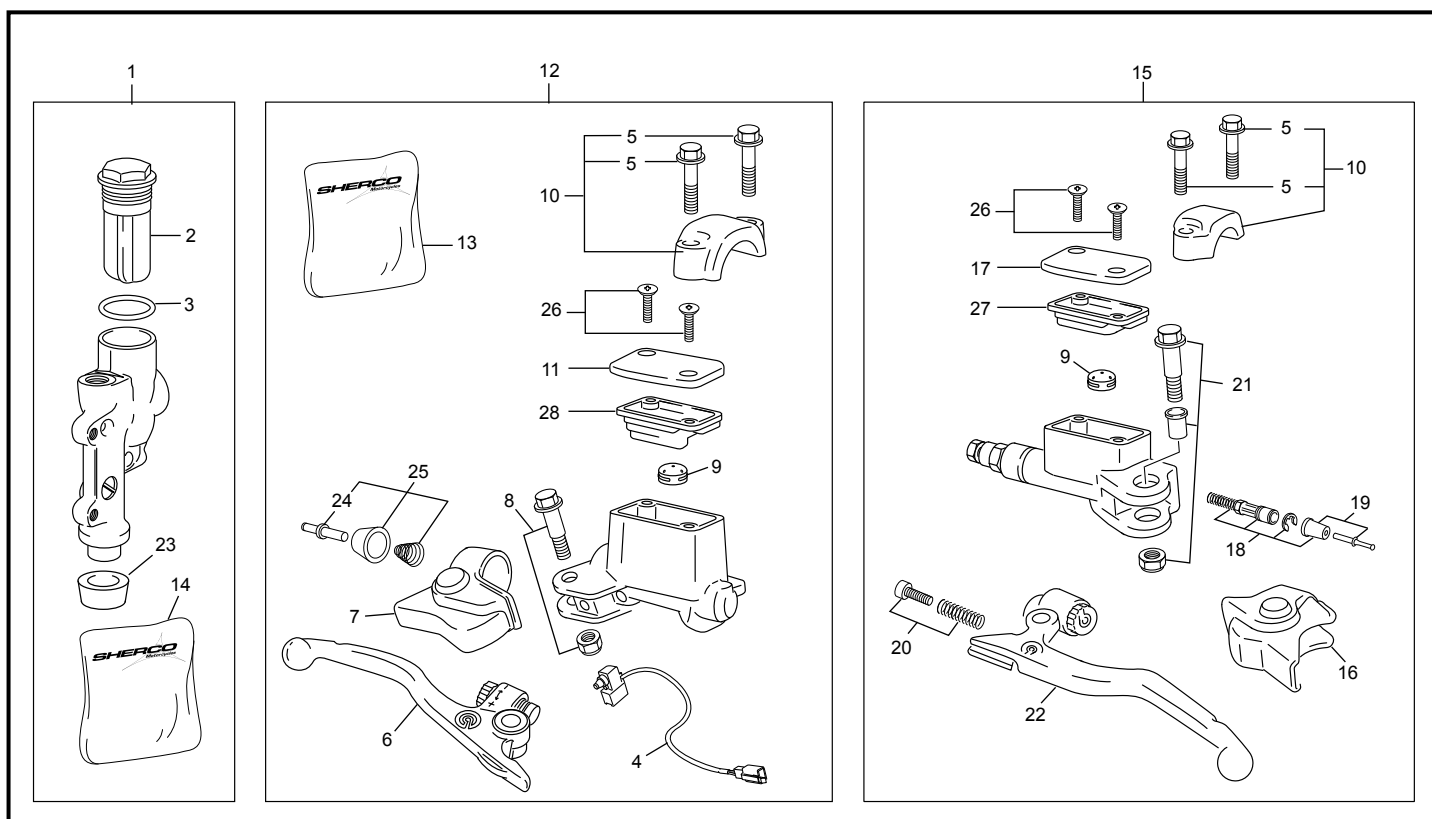
POS.	250 SEF-R RACING	300 SEF-R RACING	FRANÇAIS	ENGLISH	ESPAÑOL
1	3055	3055	BOITIER FILTRE AIR END	AIR BOX END	CAJA FILTRO END
2	3049	3049	MANCHON FILTRE/ CARBU END SEF	RUBER INJECTION HOSE END 250/300 2012	GOMA INJECTION/CAJA FILTRO END 250/300 2012
3	3045	3045	PLAQUE MAINTIEN SUPPORT FILTRE	FILTER FIXATION RETAINER PLATE END 2011	PLACA FIJACION SOPORTE ESPUMA END 2011
4	3552	3552	ECROU EMBASE M5	COLLAR HEX NUT BASIS NOTCHED M5	TUERCA CON VALONA EMBASE ENTALLADURA M5
5	0595	0595	COLLIER KC060 MANCHON CORP INJECTION END 450 40-60	COLLAR KC060 HOSE BODY INJECTION END 450 40-60	BRIDA TOBERA KC060 CUERPO INYECCION END 450 40-60
6	3046	3046	BRIDE SUPPORT DE FILTRE AIR END 2012	BRIDE FILTER FIXATION RETAINER PLATE END 2012	BRIDA PLACA FIJACION SOPORTE ESPUMA END 2012
7	3044	3044	SUPPORT MOUSSE FILTRE END 2012	FILTER FOAM SUPPORT END 2012	SUPORTE ESPUMA FILTRO END 2012
8	3043	3043	MOUSSE FILTRE END 250/300 2012	FILTER FOAM END 250/300 2012	ESPUMA FILTRO END 250/300 2012
9	C429	C429	RONDELLE M6 X 25	WASHER M6 X 25	ARANDELA M6 X 25
10	3048	3048	VIS DE FILTRE AIR END EVO	AIR FILTER SCREW END EVO	TORNILLO ESPUMA FILTRE END EVO
11	3679	3679	VIS BHC 6 X 20 EMBASE zingue noir	SCREW BHC 6 X 20 BLACK	TORNILLO 6 X20 BHC NEGRO
12	M308	M308	ECROU CLIP M6 0500500400	NUT CLIP M6	TUERCA CLIP M6
13	0546	0546	VIS TH EP 6 X 20	SREW TH EP 6 X 20	TORNILLO TH EP 6 X 20
14	6513	6513	SILENCIEUX 250/300 SEF	SILENCER 250/300 SEF	SILENCOSO 250/300 SEF
15	7194	7194	TUBE INTER 250/300 SEF 2018	SILENCER AND INTER 250/300 SEF 2018	SILENCOSO Y TUBOS 250/300 SEF 2018
16	7123	6786	TUBE ECHAPPEMENT SANS BOUCHON END 250 EU 4	EXHAUST PIPE END 250 EURO 4 WITHOUT PLUG	TUBO ESCAPE END 250 EURO 4 SIN CAP
17	2065	2065	GOUJON DE CULASSE 6 X 30	STUD CYLINDER HEAD 6X30	ESPARRAGO CULATA 6 X 30
18	2198	2198	ECROU FREIN M6 ACIER POUR GOUJON CULASSE	BREAK NUT M6	TUERCA M6
19	0271	0271	RESSORT POT END	SPRING EXHAUST END	MUELLE ESCAPE END
20	1663	1663	CAUTCHOUX BUTEE DE BEQUILLE TRIAL 08	STAND SIDE RUBER TRIAL 08	GOMA TOPE CABALETE 08
21	0306	0306	CAUTCHOUX DE MAINTIEN DE BEQUILLE END 450	STAND SIDE RUBER END 450	GOMA CABALETE END 450
22	1378	1378	CAOUTCHOUX PROTECTEUR RESSORT POT 450 510 END	PROTECTOR RUBBER SRING EXHAUST 450 510 END	GOMA PROTECCION 450 510 END
23	4347	4347	RESSORT POT SILENCIEUX END	SPRING EXHAUST SILENCER END	MUELLE ESCAPE SILENCIOSO END 450
24	0547	0547	VIS TH EP 6 X 30	SCREW TH EP 6 X 30	TORNILLO TH EP 6 X 30
25	M306	M306	ECROU NYLSTOP M6 0368.6	NUT NYLSTOP M6	TUERCA NYLSTOP M6
26	0274	0274	SILENT BLOC SILENCIEUX	SILENBLOC SILENCEUR	SILENBLOC SILENCIOSO
27	3056	3056	BAVETTE DE FILTRE END	BAVETTE FILTRE END	BAVETTE FILTRO END
28	1687	1687	VIS BHC EPAULE M5 X 10	SCREW BHC M5 X 10	TORNILLO ULS CON VALONA M5 X 10
29	6790	6790	BOUCHON SONDE LAMBDA	LAMBDA PLUG	JUNTA LAMBDA TAPON
30	6782	6782	SONDE LAMBDA	OXYGENE SENROR 4 WIRES	OXYGENE SENROR 4 WIRES
31	6854	6854	CATALYSEUR 250/300 4T 37X120 EURO 4	CATALYST 250/300 4T- 35 (37) mm x 50,8 + 50,8 (120) mm - 400/50-	CATALIZADOR 450/500 4T EURO 4

Etrier frein arrière-avant / Front rear caliper / Pinzas freno trasero - delantero



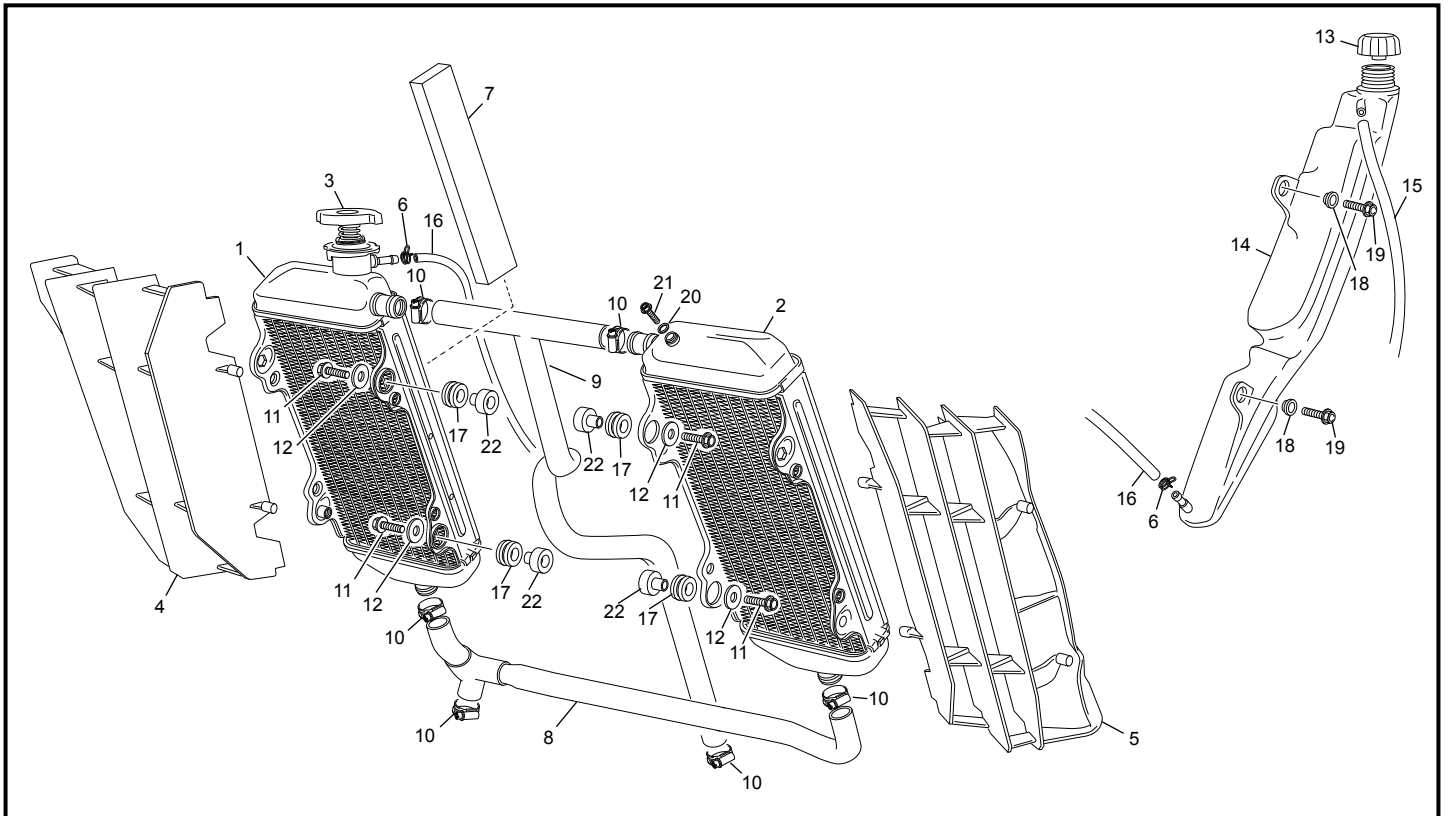
POS.	250 SEF-R RACING	300 SEF-R RACING	FRANÇAIS	ENGLISH	ESPAÑOL
1	3561	3561	ETRIER FREIN AVANT BREMBO END	BREMBO FRONT CALIPER ASSY END	PINZA FRENO DEL BREMBO END
2	3706	3706	CACHE POUSSIÈRE	AXEL DUST COVER/ BOOTS	PROTECCION
3	3618	3618	PROTECTION VIS DE PURGE END 12	DUST COVER END 12	PROTECCIÓN TORNILLO DE PURGA END 12
4	3708	3708	AXE DE FREIN AVANT BREMBO	PIN + RETAINER BREMBO	PERNO BREMBO
5	3709	3709	PLAQUE ANTIVIBRATION DE FREIN AVANT BREMBO	SPRING + STEEL CLIP BREMBO	JUEGO DE PLACA BREMBO
6	3710	3710	PLAQUETTES DE FREIN AVANT BREMBO	BRAKE PADS FRONT BREMBO	JUEGO DE PASTILLAS FRENO DEL BREMBO
7	3559	3559	ETRIER FREIN AR BREMBO END	REAR CALIPER BREMBO END	PINZA FRENO TRASERA BREMBO END
8	3711	3711	PLAQUETTES DE FREIN ARRIERE BREMBO	BRAKE PADS REAR BREMBO	JUEGO DE PASTILLAS FRENO TRASSERO BREMBO
9	3707	3707	VIS PURGE ETRIER DE FREIN AVANT BREMBO	BLEEDER SCREW BREMBO	TURCA SANGRADOR BREMBO
10	3712	3712	PLAQUE ANTI VIBRATION DE FREIN ARRIERE BREMBO	RETAINING SPRING SET BREMBO	PLACA FIXACION FRENO TRASSERO BREMBO
11	3713	3713	AXE DE PLAQUETTES DE FREIN ARRIERE BREMBO	PIN + RETAINER REAR CALIPER BREMBO	PERNO FIXACION FRENO TRASSERO BREMBO
12	3660	3660	SUPPORT ETRIER FREIN BREMBO SACHS.	BREMBO SACHS BRAKE CALIPPER SUPPORT	SOPORTE PINZA FRENO BREMBO SACHS
13	4056	4056	PISTON ETRIER AV BREMBO END 12	PISTON FRONT CALIPER BREMBO END 12	PISTON PINZA DEL BREMBO END 12
14	4057	4057	PISTON ETRIER AR BREMBO END	PISTON REAR CALIPER BREMBO END	PISTON PINZA TRAS BREMBO END
15	4405	4405	JOINT PISTON AV BREMBO	DEAL BREMBO FRONT	RETEN
16	4406	4406	JOINT PISTON AR BREMBO	DEAL BREMBO REAR	RETEN
17	3639	3639	PURGEUR BREMBO END 12	BLEEDER SCREW BREMBO	TORNILLO DE PURGA BREMBO
18	3640	3640	RACCORD BANJO END 12	BANJO BOLT	TORNILLO BANJO BREMBO

Maitre cylindre frein avant - arrière / Master cylinder Front rear caliper / Bomba freno trasero - delantero



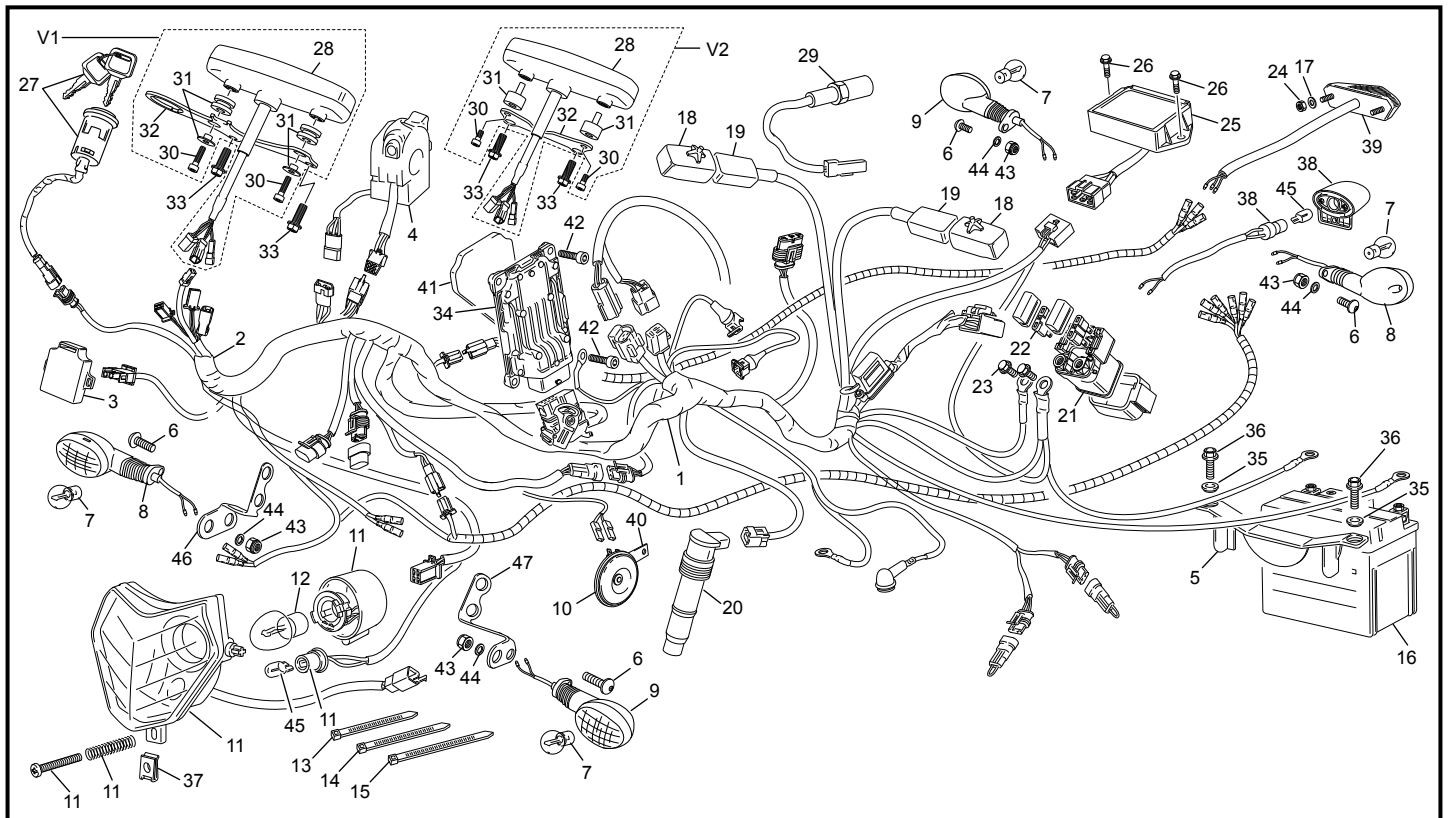
POS.	250 SEF-R RACING	300 SEF-R RACING	FRANÇAIS	ENGLISH	ESPAÑOL
1	3560	3560	POMPE FREIN AR END 2.5/5.1 12	REAR MASTER CYLINDER 2.5/5.1 12	BOMBA FRENO TRASERO 2.5/5.1 12
2	3696	3696	COUVERCLE DE MAITRE CYLINDRE AR COMPLET BREMBO	REAR BRAKE CYLINDER SET COVER BREMBO	TAPETA BOMBA FRENO TRASERO COMPLETO BREMBO
3	3695	3695	JOINT DE MAITRE CYLINDRE AR BREMBO	FOOT BRAKE CYLINDER GASKET	JUNTA BOMBA FRENO TRASERO
4	5705	5705	CONTACT FREIN AVANT BREMBO EVO	MICRO SWITCH BREMBO EVO	INTERRUPTOR FRENO DELANTERO BREMBO EVO
5	5712	5712	VIS BRIDE DE FIXATION MAITRE CYLINDRE BREMBO	CLAMP SCREW BREMBO	TORNILLO TAPA FIXACION BOMBA EMBRAGE BREMBO
6	5707	5707	LEVIER DE FREIN AVANT AVEC REGLAGE BREMBO	BRAKE LEVER WITH SETTING BREMBO	MANETA FRENO DELANTERO AJUSTABLE BREMBO
7	5708	5708	PROTECTION LEVIER DE FREIN AVANT BREMBO	PROTECTION CAP HAND BRAKE BREMBO	GUARDAPOLVO MANETA FRENO DELANTERO BREMBO
8	5709	5709	BOULON LEVIER DE FREIN AVANT BREMBO	LEVER CSREW ASSEMBLY BREMBO	TORNILLO Y TUERCA MANETA FRENO DELANTERO BREMBO
9	4061	4061	VALVE ANTI BULLE EMBRAYAGE BREMBO	VALVE ANTI BUBLE CLUTCH BREMBO	VÁLVULA ANTI BURBUJA EMBRAGE BREMBO
10	5711	5711	BRIDE DE FIXATION MAITRE CYLINDRE BREMBO	CLAMP ASSEMBLY NATURE BREMBO	TAPA FIXACION BOMBA BREMBO
11	5721	5721	COUVERCLE POMPE BREMBO	CAP FRONT BREMBO	TAPETA BOMBA
12	5544	5544	POMPE FREIN AV CPL END R 250/510 2015	FRONT BRAKE MASTER CYLINDER END 2015	BOMBA FRENO DEL BREMBO END 2015
13	5713	5713	KIT REPARATION MAITRE CYL.	KIT REPAIR FRONT MASTER CYLINDER	KIT REPARACION BOMBA DEL
14	4059	4059	KIT REPARATION MAITRE CYL. FREIN AR BREMBO END 12	PISTON SET REAR MASTER CYLINDER BREMBO END 12	KIT REPARACION BOMBA TRAS BREMBO END 12
15	5543	5543	POMPE EMB CPL BREMBO	CLUTCH MASTER CYLINDER ASSY	GRUPO BOMBA EMBRAGUE
16	5708	5708	PROTECTION LEVIER DE FREIN AVANT BREMBO	PROTECTION CAP HAND BRAKE BREMBO	GUARDAPOLVO MANETA FRENO DELANTERO BREMBO
17	5721	5721	COUVERCLE POMPE BREMBO	CAP FRONT BREMBO	TAPETA BOMBA
18	4063	4063	KIT REPARATION PISTON EMBRAYAGE BREMBO END 12	KIT REPAIR PISTON CLUTCH BREMBO END 12	KIT REPARACION BOMBA EMBRAGE BREMBO END 12
19	5716	5716	TIGE DE POUSSE EMBRAYAGE BREMBO	PUSH ROD CLUTCH BREMBO	VARILLA EMBRAGE BREMBO
20	4065	4065	PIVOT DE LEVIER EMBRAYAGE BREMBO END 12	SPRING GUIDE MC CLUTCH BREMBO END 12	TORNILLO TUERCA MANETA EMBRAGE BREMBO END 12
21	5718	5718	KIT ECROU DE FIXATION	LEVER SCREW KIT	JUEGO TORNILLO TUERCA MANETA EMBRAGE
22	5719	5719	LEVIER EMB BREMBO	CLUTCH LEVER	MANETA EMB
23	4404	4404	AXE ET CACHE POUSSIERE	AXEL DUST COVER/ BOOTS	EJE FONDA
24	5717	5717	PIVOT DE LEVIER EMBRAYAGE BREMBO	SPRING GUIDE MC CLUTCH BREMBO	TORNILLO TUERCA MANETA EMBRAGE BREMBO
25	5929	5929	KIT PIVOT DE LEVIER FREIN BREMBO	SPRING GUIDE BRAKE MC SET BREMBO	JUEGO TORNILLO TUERCA MANETA FRENO BREMBO
26	5720	5720	VIS COUVERCLE BREMBO	SCREW CAP BREMBO	TORNILLO TAPETA BOMBA
27	5706	5706	MENBRANE BREMBO MAITRE CYLINDRE EMBRAYAGE	RUBBER COVER BREMBO CLUTCH MASTER CYLINDER	GOMA DEL TAPA BREMBO EMBRAGE
28	8387	8387	MENBRANE BREMBO MAITRE CYLINDRE FREIN AVANT	RUBBER COVER BREMBO FRONT BRAKE MASTER CYLINDER	GOMA DEL TAPA BREMBO FRENO DELANTERO

Radiateur / Radiator / Radiador



POS.	250 SEF-R RACING	300 SEF-R RACING	FRANÇAIS	ENGLISH	ESPAÑOL
1	4463	4463	RADIATEUR DROIT 250/500 EVO1	RIGHT RADIATOR 250/500 EVO1	RADIATOR DER END 250/500 EVO1
2	3027	3027	RADIATEUR GAUCHE 250/500 2012	LEFT RADIATOR 250/500 2012	RADIATOR IZQ 250/500 2012
3	3265	3265	BOUCHON RADIATEUR 2 OREILLES 1.8 BAR	2 HEAR RADIATOR TAP 1.8 BAR	TAPON RADIADOR 1.8 BAR 2 EAR
4	4621	4621	GRILLE RADIATEUR D END 2013	RIGHT RADIATOR PROTECTOR END 2013	GRILLA RADIATOR DER END 2013
5	4622	4622	GRILLE RADIATEUR G END 2013	LEFT RADIATOR PROTECTOR END 2013	GRILLA RADIADOR IZQ END 2013
6	5569	5569	COLLIER COBRA 9	COLLAR COBRA 9	ABRAZADERA COBRA 9
7	4515	4515	MOUSSE PROTECTION RADIATEUR END	FOAM PROTEC RADIATOR END	ESPUMA RADIATOR M3C END
8	6733	6733	DURITE INF 250/300 SEF EVO	RUBBER TUBE INF 250/300 SEF EVO	MANGUITO INF 250/300 SEF EVO
9	3100	3100	DURITE SUP 250 END	RUBBER TUBE SUP 250 END	MANGUITO SUP 250 END
10	0281	0281	COLLIER K025 FIXATION DURITE END 450 16-25 MM	COLLAR K025 HOSE RADIATOR END 450	BRIDA K025 TUBO RADIADOR END 450
11	0546	0546	VIS TH EP 6 X 20	SREW TH EP 6 X 20	TORNILLO TH EP 6 X 20
12	4939	4939	RONDELLE M6 X 22 INOX	WASHER M6 X 25 INOX	ARANDELA M6 X 25 INOX
13	0748	0748	BOUCHON VASE EXPANSION END 450	EXPANSION TANK STOPPER END 450	TAPON VASO EXPANSION END 450
14	3079	3079	VASE D' EXPANSION END	EXPANSION TANK END	VASO EXPANSION END
15	3903	3903	DURITE EXPANSION L260 250 300 END 2012	EXPANSION PIPE L260 250 300 END 2012	TUBO EXPANSION L260 250 300 END 2012
16	3910	3910	DURITE EXPANSION RADIATEUR L900 250 300 END 2012	EXPANSION PIPE RADIATOR L900 250 300 END 2012	TUBO EXPANSION RADIDOR L900 250 300 END 2012
17	H059	H059	SILENT BLOC RADIATEUR	RADIATOR SILENTBLOCK	SILENTBLOCK RADIADOR
18	0565	0565	ENTRETOISE INOX CARROSSERIE 450 END	SPACER INOX BOODY 450 END	CASQUILLO INOX CARROCERIA 450 END
19	0554	0554	VIS TH EP 5 X 20	SREW TH EP 5 X 20	TORNILLO TH EP 5 X 20
20	0601	0601	RONDELLE ALU 6.5 X 11 X 1 END 450	WASHER ALU 6.5 X 11 X 1 END 450	ARENDELLA ALU 6.5 X 11 X 1 END 450
21	0592	0592	VIS TH EP 6 X 8	SCREW TH EP 6 X 8	TORNILLO TH EP 6 X 8
22	3779	3779	ENTRETOISE RADIATEUR END 4T	SPACER RADIATOR END 4T	CASQUILLO RADIADOR END 4T

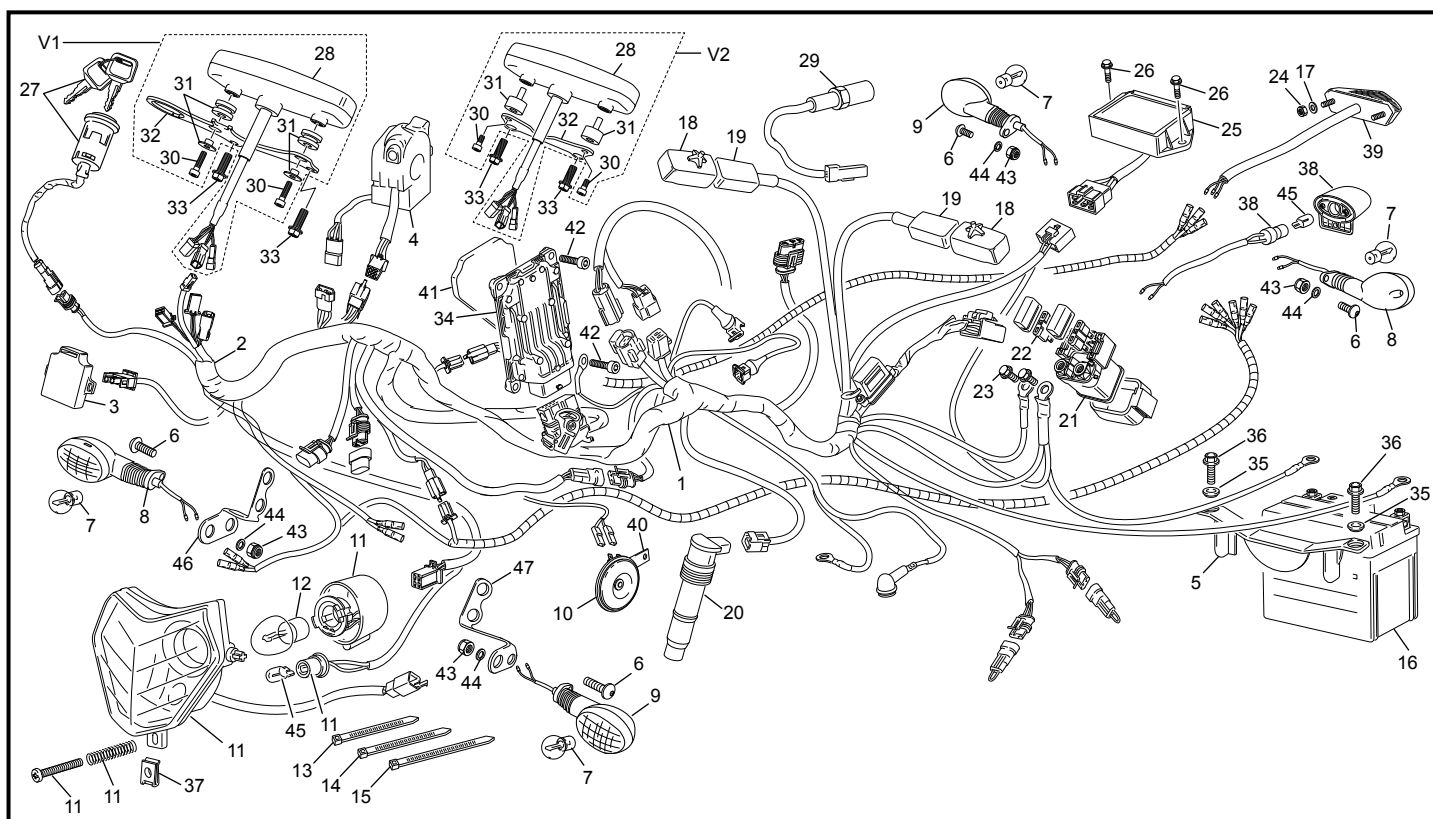
Faisceau électrique / Electrical system / Instalación eléctrica



POS.	250 SEF-R RACING	300 SEF-R RACING	FRANÇAIS	ENGLISH	ESPAÑOL
1	6781	6781	FAISCEAU ELECT INJECTION END EURO 4	INJECTION ELECTRIC CABLE SYSTEM END EURO 4	INSTALACION ELECTRIC INJECTION END EURO 4
2	6845	6845	FAISCEAU ELECT RACING END 250/300 EURO4	RACING ELECTRIC CABLE SYSTEM END EURO4	INSTALACION ELECTRIC RACING END EURO4
2	8145	8145	FAISCEAU LUMIERE ET HOLOGRACION STANDARD EURO4	LIGHT AND HOMOLOGATION WIRE HARNESS SYSTEM SE SEF EURO 4	HAZ DE LUZ Y HOMOLOGACION ESTANDAR EURO 4
4	0413	0413	COMMODO GAUCHE END 450	SWITCH LEFT END 450	COMODO ELECTRIC END 450
5	3099	3099	CALE BATERIE END	BATTERY HOLDER END	SUPPORTO BATERIE END
6	M283	M283	VIS BHC 6 X 16 1093 ZI NI TR	SCREW BHC 6 X 16 ZI NI TR	TORNILLO 6 X 16 ULS ZI NI TR
7	C405	C405	AMPOULE CLIGNO 10W 12V	BULB IND LIGHT 10W 12V	BOMBILLA INTERMITENTES 10W 12V
8	5004	5004	CLIGNOTEUR AVD/ARG 50 END	TURN LIGHT FRONT/RIGHT AND REAR/LEFT 50 END.	INTERMITENTE DEL.DER./TRAS.IZQ. 50 END
9	5005	5005	CLIGNOTEUR AVG/ARD 50 END	TRUN LIGHT FRONT/LEFT REAR/RIGHT END 50	INTERMITENTE DEL./IZQUIERDO TRAS./DERECHO 50 END
10	0447	0447	CLAXON END 450	HORN END 450	CLAXON END 450
11	3053	3053	OPTIQUE PHARE END/SM EVO	FRONT LIGHT OPTICAL END/SM EVO	FARO DEL END/SM EVO
12	C403	C403	AMPOULE PHILIPS PHARE HOMOL 12V 35/35W	BULB FRONT LIGHT PHILIPS HOMOL 12V 35/35W	BOMBILLA FARO PHILIPS 12V 35/35W
13	M330	M330	COLLIER RISLAN 178 X 4.8	PLASTIC CLAMPS 178 X 4.8	ABRAZADERA 178 X 4.8
14	C441	C441	COLLIER RYSLAN 280 X 4.8	PLASTIC CLAMPS 280 X 4.8	ABRAZADERA 280 X 4.8
15	M331	M331	COLLIER RISLAN100 X 2.5	PLASTIC CLAMPS 100 X 2.5	ABRAZADERA 100X 2.5
16	3094	3094	BATTERIE YUASA 12 V 5 AMP END 2012	BATTERY YUASA 12V 5 AMP END 2012	BATERIE YUASA 12V 5 AMP END 2012
17	M318	M318	RONDELLE 4X12 0411	WASHER 4X12	ARANDELA 4X12
18	1291	1291	SUPPORT RELAIS END 450	HOLDER RELAY END 450	SUPPORTO RELE END 450
19	5095	5095	RELAIS ECU SYN END	SYN ECU RELAY END	RELE ECU SYN END
20	0967	0967	BOBINE CRAYON 250 END	IGNITION SPARK PLUG CAP 250 END	BOBINA PIPA BUJIA 250 END
21	0367	0367	RELE DEMARREUR END	STARTER RELEY END	STARTER RELEY END
22	0661	0661	FUSIBLE 30 A LITLIFUSE	FUSIBLE 30 A LITLIFUSE	FUSIBLE 30 A LITLIFUSE
23	0592	0592	VIS TH EP 6 X 8	SCREW TH EP 6 X 8	TORNILLO TH EP 6 X 8
24	M307	M307	ECROU NYLSTOP M4 0368.4	NUT NYLSTOP M4	TUERCA NYLSTOP M4
25	7215	7215	REGULATEUR END EVO	REGULATOR END EVO	REGULADOR END EVO
26	0546	0546	VIS TH EP 6 X 20	SREW TH EP 6 X 20	TORNILLO TH EP 6 X 20
27	7254	7254	BLOC CLE DEMARRAGE 4T EURO4	BLOC KEY STARTER EURO 4	BLOC LLAVE ARRANQUE EURO 4
28	4387	4387	COMPTEUR DE VITESSE END TRAIL TECH 2013	SPEEDOMETER END TRAIL TECH 2013	VELOCIMETRO END TRAIL TECH 2013
29	4508	4508	CABLE CAPTEUR COMPTEUR END TRAIL TECH	SPEEDOMETRO SENSOR HARNESS END TRAIL TECH	INSTALACION SENSOR VELOCIMRTRIO END TRAIL TECH
30	M267	M267	VIS CHC 4 X 16 0084 Zn Ni Tr	SCREW VIS CHC 4 X 16 Zn Ni Tr	TORNILLO 4 X 16 ALLEN Zn Ni Tr
30	1474	1474	VIS CHC M4 X 8 PRE IMPREGNEE FAIBLE	SCREW M4 X 8 CHC	TORNILLO M4X8 CHC
31	4513	4513	KIT SILENT BLOC ENTRETOISE COMPTEUR END TRAIL TECH	DASHBOARD ISOLATOR KIT END TRAIL TECH	KIT SILENBLOC VELOCIMETRO END TRAIL TECH
31	5575	5575	SILENT BLOC COMPTEUR	DASHBOARD SILENTBLOCK	SILENTBLOCK
32	4389	4389	SUPPORT COMPTEUR SE SEF 250 TRAIL TECH EURO 4	SPEEDO METER HOLDER SE SEF 250 TRAIL TECH EURO 4	SUPPORTE VELOCIMETRO SE SEF 250 TRAIL TECH EURO 4

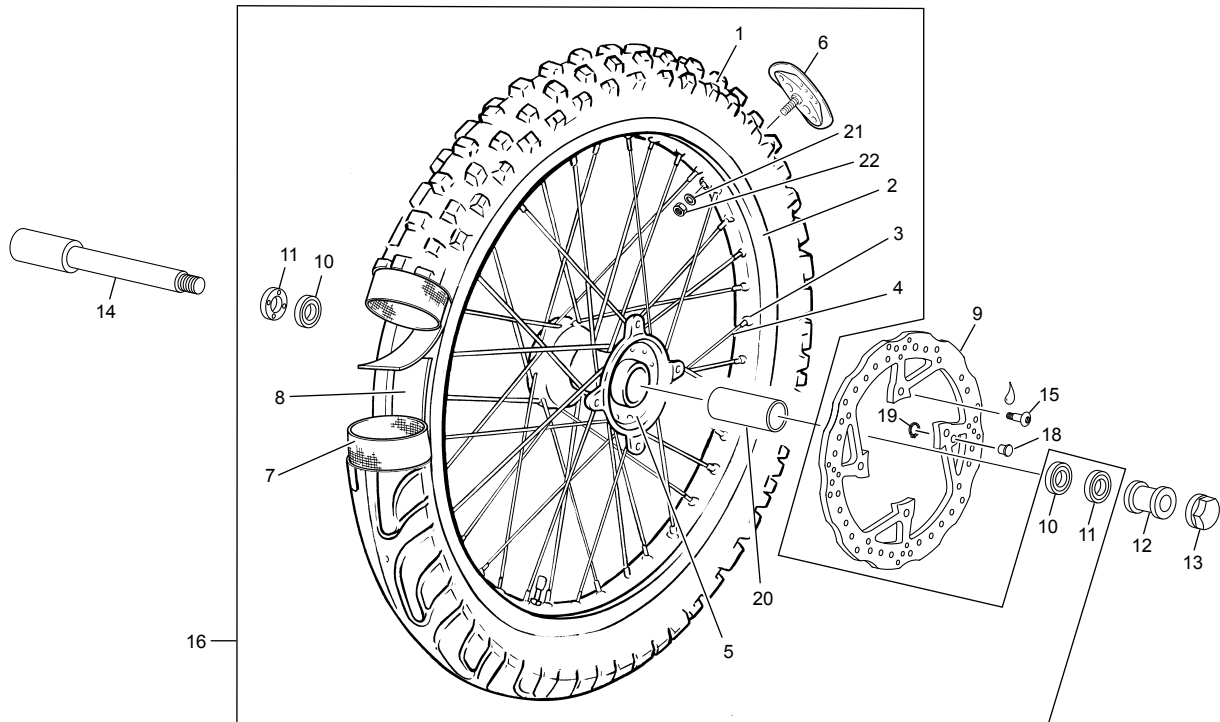
*Sherco se réserve les droits de modification des références, merci de contrôler sur le portail Sherconetwork avant toute commande. - *Sherco reserves the right to make change on the references, please check on your Sherconetwork portal before ordering.
 *Sherco se reserva el derecho para hacer modificaciones sobre las referencias. Por favor, verifica en el Sherconetwork antes de hacer un pedido.

Faisceau électrique / Electrical system / Instalación eléctrica



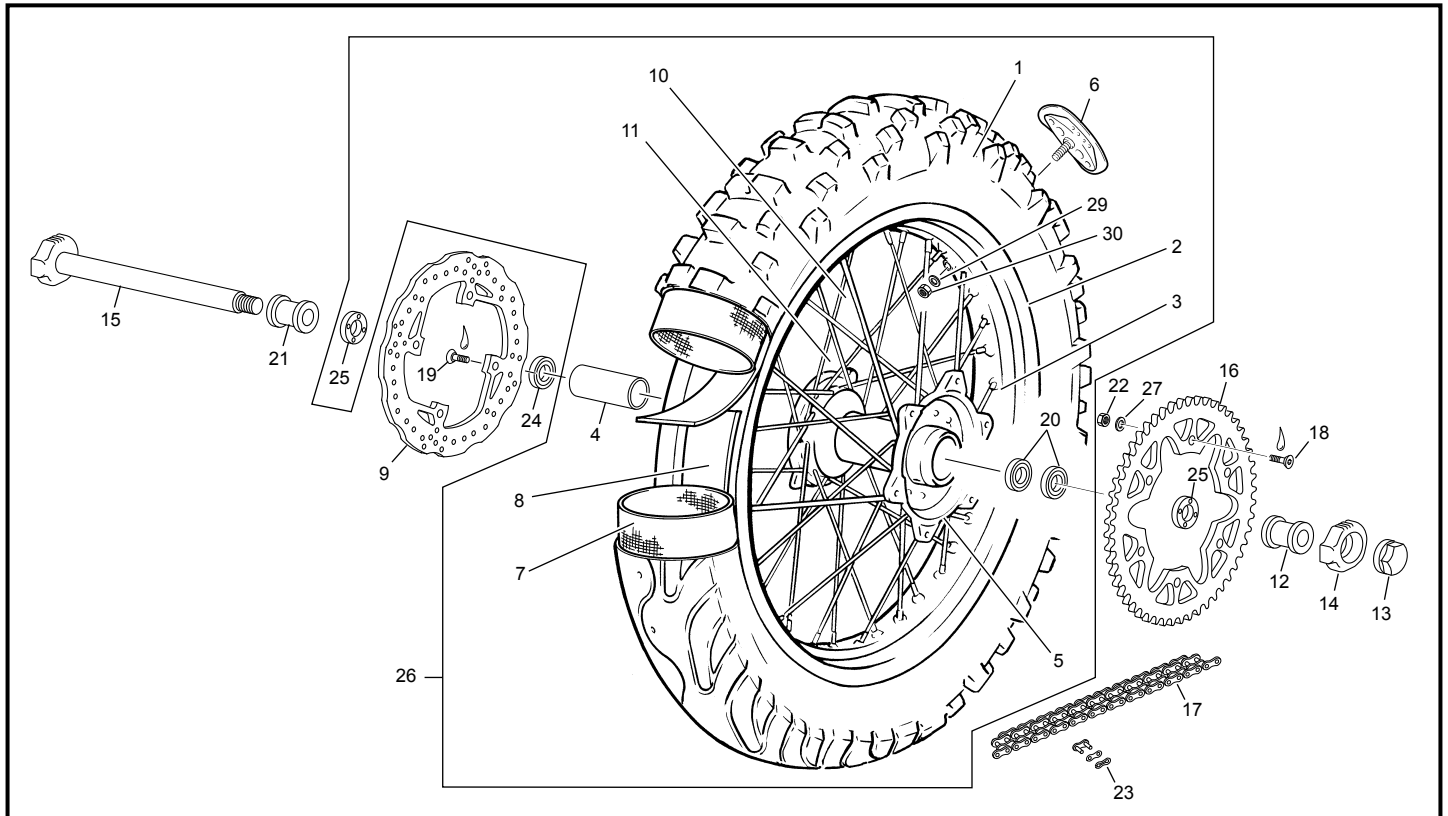
POS.	250 SEF-R RACING	300 SEF-R RACING	FRANÇAIS	ENGLISH	ESPAÑOL
32	4526	4526	SUPPORT COMPTEUR SE SEF 250 TRAIL TECH RACING	SPEEDO METER HOLDER SE SEF 250 TRAIL TECH RACING	SUPPORTE VELOCIMETRO SE SEF 250 TRAIL TECH RACING
33	0656	0656	VIS TH EP 6 X 16	SREW TH EP 6 X 16	TORNILLO TH EP 6 X 16
34	3459	3459	ECU SYN END M3C	ECU SYN END M3C	ECU SYN END M3C
35	3096	3096	ENTRETOISE CARROSSERIE 2.3 END 2012	SPACER 2.3 INOX BOODY END 2011	CASQUILLO 2.3 INOX CARROCERIA END 2011
36	0553	0553	VIS TH EP 5 X 12	SREW TH EP 5 X 12	TORNILLO TH EP 5 X 12
38	3510	3510	FEU ECLAIRAGE PLAQUE END 2012	PLATE NUMBER REAR LIGHT END 2012	FARO TRAS HOMOLO END 2012
39	3506	3506	FEU AR END 450 2012	RACING REAR LIGHT END 450 2012	RACING FARO TRAS END 450 2012
40	4088	4088	SUPPORT AVERTISSEUR 250/300 END 2012	KLASON SUPPORT 250/300 END 2012	SOPORTE KLAKSON 250/300 END 2012
41	4474	4474	MOUSSE ECU M3C END	FOAM ECU M3C END	ESPUMA ECU M3C END
42	0659	0659	VIS CHC M5 X 25 PRE IMPREGNEE FAIBLE	SCREW CHC M5 X 25 PRE IMPREGNEE FAIBLE	TORNILLO M5 X 25 DIN 912 PRE IMPREGNEE FAIBLE
43	M306	M306	ECROU NYLSTOP M6	NUT NYLSTOP M6	TUERCA NYLSTOP M6
44	C427	C427	RONDELLE M6 X 15	WASHER M6 X 15	ARANDELA M6 X 15
45	C067	C067	AMPOULE 2001 12V 5W	BULB 2001	BOMBILLA 2001 12V 5W
46	3502	3502	SUPPORT CLIGNOTANT DROIT END 2012	SUPPORT RIGHT TURN LIGHT END 2012	SOPORTE INTERMITENTES DER. END 2012
47	3503	3503	SUPPORT CLIGNOTANT GAUCHE END 2012	SUPPORT LEFT TURN LIGHT END 2012	SOPORTE INTERMITENTES IZQ. END 2012
48	0364	0364	CENTRALE CLIGNOT END 450	INDICATIVE LIGHT SYSTEM END 450	CENTRAL INTERMITENCIA END 450
49	M378	M378	ECROU CLIP M5	NUT CLIM M5	TUERCA CLIP M5

Roue avant / Front wheel / Rueda delantera



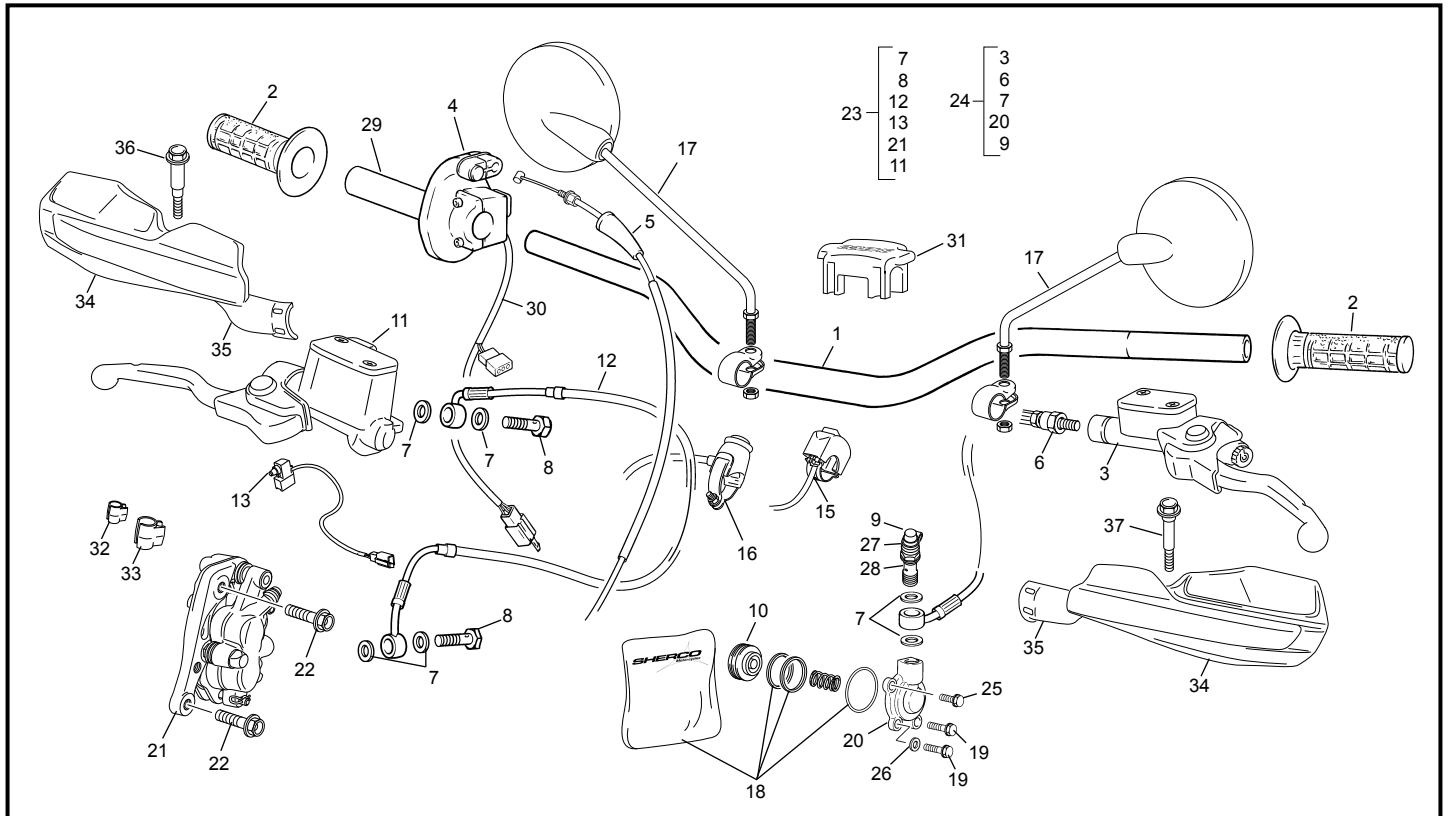
POS.	250 SEF-R RACING	300 SEF-R RACING	FRANÇAIS	ENGLISH	ESPAÑOL
1	7392	7392	PNEU AVANT 90/90 - 21 54R F TT MEDIUM	FRONT TYRE 90/90 - 21 54R F TT	NEUMATICO DEL 90/90 - 21 54R F TT
2	1203	1203	JANTE NOIRE AV 1.6 X 21 END 450	BLACK RIM FRONT 1.6 X 21 END 450	LLANTA NEGRA DEL 1.6 X 21 END 450
3	6181	6181	ECROU RAYON ALUMINIUM M5/M4	SPOKE HEAD ALOYALUMINIUM M5/M4	CABEZA RADIO ALUMINIO M5/M4
4	6183	6183	RAYON AVANT 3.5/3/6/3.5 233 SE/SEF	SPOKE FRONT 3.5/3/6/3.5 233 SE/SEF	RADIO DELANTERO 3.5/3/6/3.5 233 SE/SEF
5	0822	0822	MOYEU COMPLET AV SM 450	HUB SM 450	BUJE DEL CPL SM 450
6	3575	3575	GRIPSTER RACING 1.6 END 450	RACING TYRE STAY END 1.60	AGARRACUBERTIAS RACING END 450
7	0313	0313	CHAMBRE OXIA 2.75/3.00-21 80 / 100 - 21	TUBE OXIA 2.75/3.00-21 80 / 100 - 21	CUBIERTAS 21 END/MX 2.75/3.00-21
8	0314	0314	FOND JANTE AV 21 END 450	RIM RUBBER BAND 21 END 450	FONDO LLANTAS 21 END 450
9	6751	6751	DISQUE FREIN AV XP	FRONT BREAK DISC XP	DISCO FRENO DEL XPL
10	0175	0175	ROULEMENT BILLE 6004.2RSH/C3	BERING BALL 6004.2RSH/C3	COJINETE 6004.2RSH/C3
11	0706	0706	JOINT DOUBLE LEVRE 25 X 42 X 7	SEAL 25 X 42 X 7	RETEN 25 X 42 X 7
12	6750	6750	ENTRETOISE ROUE AVANT XPLOR / KYB	FRONT WHEEL SPACER XPLOR / KYB	CASQUILLO RUEDA DEL XPLOR / KYB
13	0316	0316	ECROU ROUE AVANT END 450	FRONT WHEEL BOLT END 450	TUERCA RUEDA DEL END 450
14	6759	6759	AXE DE ROUE AVANT XPLOR	FRONT WHEEL AXEL XPLOR	EJE RUEDA DEL XPLOR
15	0452	0452	VIS SPECIALE DISQUE END 450	SCEW SPECIAL BRAKE DISC END 450	TORNILLO ESPECIAL DISCO FRENO END 450
16	7608	7608	ROUE AVANT XP NOIRE SANS DISQUE	FRONT WHEEL XP BLACK WITHOUT DISC	RUEDA DEL XP NEGRA SIN DISCO MICHELIN
18	4529	4529	AIMANT CAPTEUR COMPTEUR TRAIL TECH	MAGNETIC BOLT TRAIL TECH	IMAN SENSOR CONTADOR TRAIL TECH
19	4603	4603	CIRCLIP AIMANT D9 TRAIL TECH	CIRCLIP D9	CIRCLIP D9
20	4972	4972	ENTRETOISE MOYEU AV 250/510 END	FRONT HUB SPEACER 250/510 END	SEPARADOR BUJE DEL 250/510 END
21	5497	5497	RONDILLE GROSVER M8 ZI	WASHER GROSVER M8 ZI	ARRANDELA GROSVER M8 ZI
22	3481	3481	ECROU BAS M8 ZI BLANC	NUT M8	TUERCA M8

Roue arrière / Rear wheel / Rueda trasera



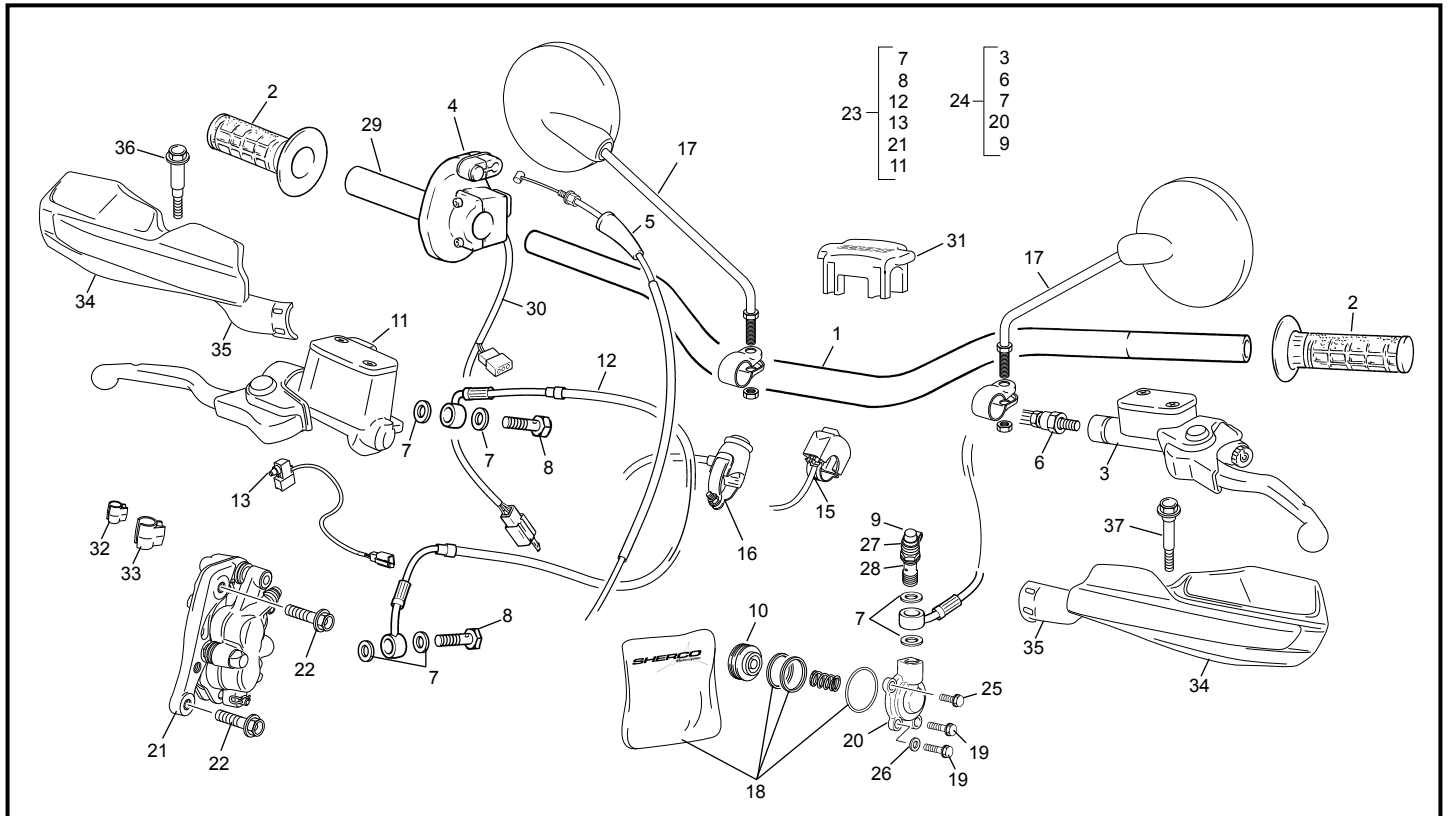
POS.	250 SEF-R RACING	300 SEF-R RACING	FRANÇAIS	ENGLISH	ESPAÑOL
1	7391	7391	PNEU AR 140 X 18 70R R TT MEDIUM	BACK TYRE 140 X 18 70R R TT	NEUMATICO TRAS 140 X 18 70R R TT
2	1204	1204	JANTE NOIRE AR 2,15 X18 END 450	BLACK REAR RIM 2.15 X18 END 450	LLANTA NEGRA TRAS 2.15 X18 END 450
3	6182	6182	ECROU RAYON ALUMINIUM M5/M4.5	SPOKE HEAD ALOYALUMINIUM M5/M4.4	CABEZA RADIO ALUMINIO M5/M4.5
4	4973	4973	ENTRETOISE MOYEU AR 250/510 END	REAR HUB SPEACER 250/510 END	SEPARADOR BUJE TRAS 250/510 END
5	0823	0823	MOYEU COMPLET AR SM	BACK HUB SM	BUJE TRAS SM
6	3576	3576	GRIPSTER RACING 2.15" AR END 450	RACING TYRE STAY BACK END 2.15"	AGARRACUBIERTAS RACING TRAS END 450
7	0324	0324	CHAMBRE AIR 18 END 250/510	TUBE OXIA 4.25/4.50-18 140/80-18	CAMARA 18 END 250/510
8	0325	0325	FOND JANTE AR 18 END 450	BACK RIM RUBBER 18 END 450	FONDO LLANTA 18 END 450
9	3499	3499	DISQUE FREIN AR END 2012	BACK BRAK DISC END 2012	DISCO FRENO TRAS 2012
10	6633	6633	RAYON POSTERIEUR 4/35./4 L 193	ECO ZING SPOKE 4/3.5/4 193 MM THREAD MM18 NECK 2 BEND 17	RADIO TRASERO 4/35./4 L 193
11	6634	6634	RAYON POSTERIEUR 4/35./4 L 197	ECO ZING SPOKE 4/3.5/4 197 MM THREAD MM18 NECK 3 BEND 17	RADIO TRASERO 4/35./4 L 193
12	0343	0343	ENTRETOISE ROUE AR GAUCHE END 450	REAR WHEEL SPACER LEFT END 450	CASQUILLO RUEDA TRAS IZQ END 450
13	0329	0329	ECROU ROUE AR	REAR BOLT WHEEL	TUERCA RUEDA TRAS
14	0327	0327	TENSEUR CHAINE DROIT END 450	RIGHT CHAIN TENSOR END 450	SENSOR CADENA DER END 450
15	0326	0326	AXE DE ROUE AR END	REAR WHEEL AXEL END	EJE RUEDA TRAS END
16	0331	0331	COURONNE AR 48 D END 450	REAR SPROCKET 48 T END 450	CORONA 48D END 450
16	1966	1966	COURONNE AR 49 D END	REAR SPROCKET 49 T END	CORONA 49D END
17	8413	8413	CHAINE 112M SE SEF	CHAIN 112M SE SEF	CADENA 112M SE SEF
18	0454	0454	VIS SPECIALE COURONNE END 450	SCREW SPECIAL SPROCKET END 450	TORNILLO ESPECIAL CORONA END 450
19	0452	0452	VIS SPECIALE DISQUE END 450	SCREW SPECIAL BRAKE DISC END 450	TORNILLO ESPECIAL DISCO FRENO END 450
20	0716	0716	ROULEMENT 6005 2RSH 25X47X12 END 450	BEARING 6005 2RSH 25X47X12	RODAMIENTO 6005 2RSH 25X47X12
21	3495	3495	ENTRETOISE ROUE AR DROITE END 2012	REAR WHEEL SPACER RIGHT END 2012	CASQUILLO RUEDA TRAS DER END 2012
22	M305	M305	ECROU NYLSTOP M8 0368.8	NUT NYLSTOP M8	TUERCA NYLSTOP M8
23	R473	R473	ATTACHE RAPIDE DE CHAINE DID END	CONNECTING LINK DID END	ENGANCHE CADENA END DID
24	0707	0707	ROULEMENT 63005 2RS 25X47X16	BEARING 63005 2RS 25X47X16	RODAMIENTO 63005 2RS 25X47X16
25	0718	0718	JOINT LEVRE 32X47X7 END 450	OIL SEAL 32X47X7	RETEN 32X47X7
26	6180	6180	ROUE ARRIERE SE/SEF EVO NOIRE SANS DISQUE/COURRONE	REAR WHEEL SE/SEF EVO BLACK WITHOUT DISC	RUEDA TRAS SE/SEF EVO NERO SIN DISCO
27	C430	C430	RONDELLE M8	WASHER M8	ARANDELA M8
29	5497	5497	RONDELLE GROSVER M8 ZI	WASHER GROSVER M8 ZI	ARRANDELA GROSVER M8 ZI
30	3481	3481	ECROU BAS M8 ZI BLANC	NUT M8	TUERCA M8

Guidon / Handlebar / Manillar



POS.	250 SEF-R RACING	300 SEF-R RACING	FRANÇAIS	ENGLISH	ESPAÑOL
1	6978	6978	GUIDON NOIR ANTRACITE END EVO	BLACK ANTHRACITE HANDLE BAR END EVO	MANILLAR ANTRACITA END 450
2	6979	6979	POIGNEE SHERCO PAIRE END NOIR BLEU	GRIPS SET SHERCO END BLACK BLUE	JUEGO EMPUNADURAS SHERCO BLACK BLUE
3	5543	5543	POMPE EMB CPL 450/250 END 2012	CLUTCH MASTER CYLINDER ASSY	GRUPO BOMBA EMBRAGUE
4	4619	4619	COMMANDE DE GAZ END 250/300 SYN	THROTTLE GAZ END 250/300 SYN	MANDO GAS END 250/300 SYN
4	8638	8638	ESCARGOT COMMANDE GAZ	RING	ANILLO DE GAS DE CONTROL
5	4832	4832	CABLE DE GAZ SEF EVO	THROTTLE CABLE SEF EVO	CABLE DE GAZ SEF EVO
6	3617	3617	DURITE EMBRAYAGE END 125/250/300	CLUTCH HOSE 125/250/300	LATIGUILLO EMBRAGUE 125/250/300
7	3620	3620	RONDELLE BANJO END BREMBO	COPPER WASHER END BREMBO	ARANDELLA BANJO END BREMBO
8	3619	3619	VIS RACCORD BANJO END 2.5/3.0 12	BANJO BOLT END 12	TORNILLO RACORD END 12
9	3618	3618	PROTECTION VIS DE PURGE END 12	DUST COVER END 12	PROTECCIÓN TORNILLO DE PURGA END 12
10	3915	3915	CYLINDRE RECEPTEUR D EMBRAYAGE END	CYLINDRE CLUTCH RECEIVER END	CILINDRO BOMBIN EMBRAGE END
11	3558	3558	POMPE FREIN AV CPL END R 250/510 2012	FRONT BRAKE MASTER CYLINDER END 2012	BOMBA FRENO DEL BREMBO END 2012
12	3563	3563	DURITE FREIN AV END 2.5/5.1 12	FRONT BRAKE HOSE END 2.5/5.1 12	LATIGUILLO FRENO DELANTERO END 2.5/5.1 12
13	3697	3697	CONTACT FREIN AVANT BREMBO	CONTACT FRONT BRAKE LIGHT BREMBO	INTERRUPTOR FRENO DELANTERO BREMBO
15	3507	3507	COMMUTATEUR PHARE RACING END	COMMAND LIGHT RACING END	CONMUTADOR FARO RACING END
16	3658	3658	BOUTON STOP MOTEUR ENDURO	STOP ENGINE ENDURO	STOP MOTOR EN DURO
17	5232	5232	RETROVISEUR	DRIVING MIRROR	RETROVISOR
18	1954	1954	KIT REPARATION PISTON EMBRAYAGE 250	KIT REPAIR CLUTCH CYLINDER 250	KIT REPARACION PISTON EMBRAGUE 250
19	0656	0656	VIS TH EP 6 X 16	SREW TH EP 6 X 16	TORNILLO TH EP 6 X 16
20	6616	6616	RECEPTEUR D EMBRAYAGE 250 SEF EX 0979	CLUTCH RECEIVER 250 END OLD 0979	BOMBIN EMBRAGE 250 END 0979
21	3561	3561	ETRIER FREIN AVANT BREMBO END	BREMBO FRONT CALIPER ASSY END	PINZA FRENO DEL BREMBO END
22	4620	4620	VIS TH EP M8 X 32 ETRIER BREMBO	SCREW TH EP M8 X 32	TORNILLO TH EP M8 X 32
23	5540	5540	GROUPE EMBRAYAGE CLP END 250/300 SEF	FRONT BREAK SYSTEM END	CTO FRENO DEL END
24	5541	5541	GROUPE EMBRAYAGE CLP END 250/300 END 2012	HYDROLIC CLUTCH SYSTEM END 250/300 SEF	CTO ENBRAGUE END 250/300 SEF
25	0943	0943	VIS TH EP 6 X 12	SCREW TH EP M6 X 12	TORNILLO TH EP M6 X 12
26	M317	M317	RONDELLE 6 X12 0407 6	WASHER X 6	ARANDELA 6 DIN 125 A
27	3639	3639	PURGEUR BREMBO END 12	BLEEDER SCREW BREMBO	TORNILLO DE PURGA BREMBO
28	3640	3640	RACCORD BANJO END 12	BANJO BOLT	TORNILLO BANJO BREMBO
29	4974	4974	TUBE COMMANDE DE GAZ END MM	PIPE THROTTLE CONTROL END	TUBO MANDO DE GAS END
30	4975	4975	CONNECTEUR DOUBLE COURBE	SWITCH DOBLE CURVE	CONECTADOR DOBLE ENCORVA
31	1270	1270	MOUSSE GUIDON END 07	FOAM HANDLEBAR END 07	ESPUMA MANILLAR END 07
32	6635	6635	CLIP FIXATION CABLE COMPTEUR PETIT	WIRE FIXING CLIP SMALL	CLIP FIXACION CABLE CUENTAQUILOMETROS PEQUENO
33	6636	6636	CLIP FIXATION CABLE COMPTEUR GRAND	WIRE FIXING CLIP BIG	CLIP FIXACION CABLE CUENTAQUILOMETROS GRANDE
34	6748	6748	PARES MAINS BLANC JEU SE SEF	HAND GUARD WHITE SHERCO SET END	PARA MANO BLANCO JUEGO SHERCO END

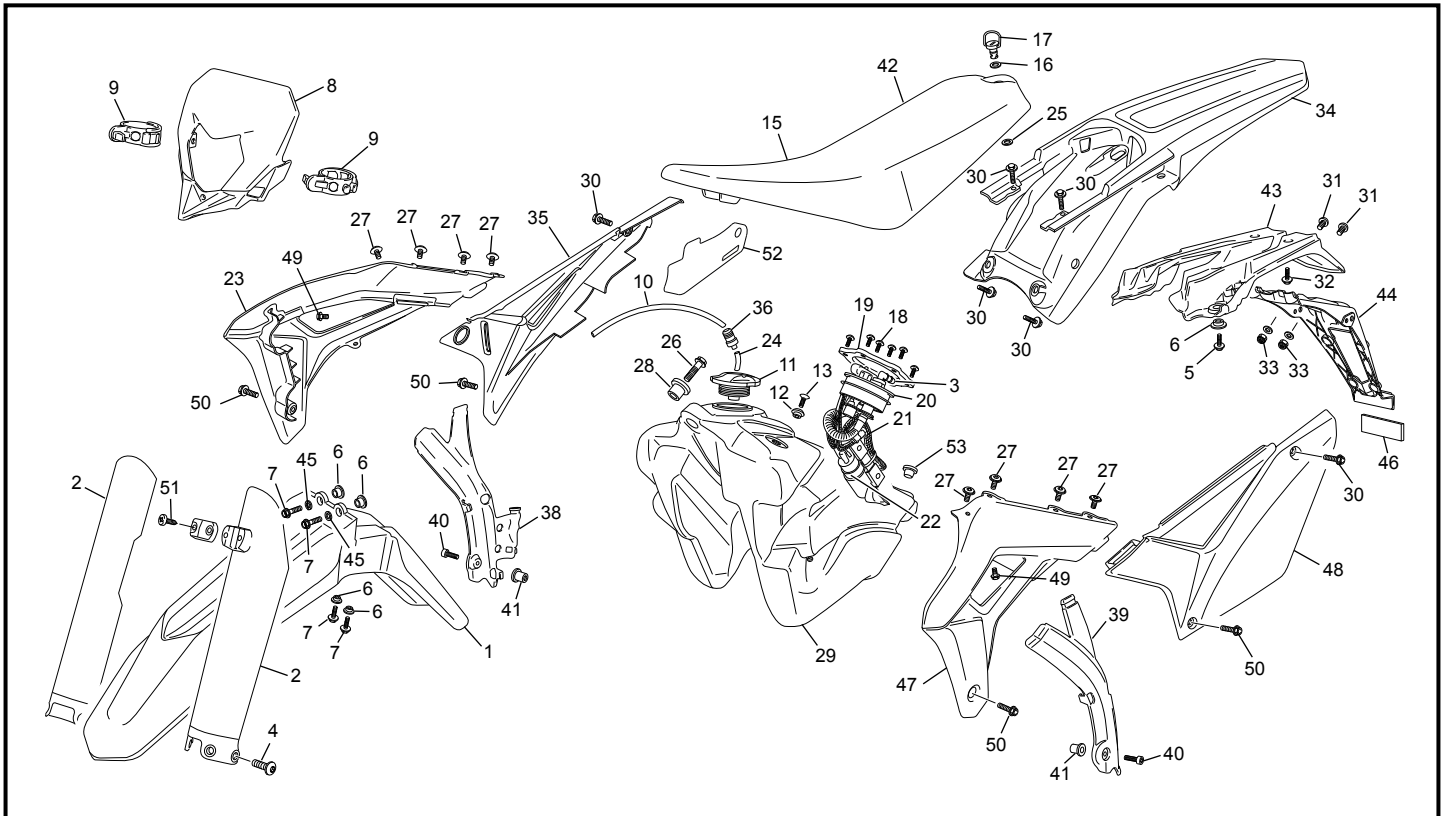
Guidon / Handlebar / Manillar



POS.	250 SEF-R RACING	300 SEF-R RACING	FRANÇAIS	ENGLISH	ESPAÑOL
35	6261	6261	SUPPORT PARES MAINS SHERCO JEU SE SEF	HAND GUARD BRACKET BLACK SHERCO SET END	SOPORTE PARA MANO JUEGO SHERCO END
36	6213	6213	VIS PARES MAINS SEF DROIT	HAND GUARD SCREW BRAKE	TORNILLO PARA MANO SEF DERECHA
37	6214	6214	VIS PARES MAINS SEF GAUCHE	HAND GUARD SCREW CLUTCH SIDE	TORNILLO PARA MANO SEF IZQUIERDA

*Sherco se réserve les droits de modification des références, merci de contrôler sur le portail Sherconetwork avant toute commande. - *Sherco reserves the right to make change on the references, please check on your Sherconetwork portal before ordering.
 *Sherco se reserva el derecho para hacer modificaciones sobre las referencias. Por favor, verifica en el Sherconetwork antes de hacer un pedido.

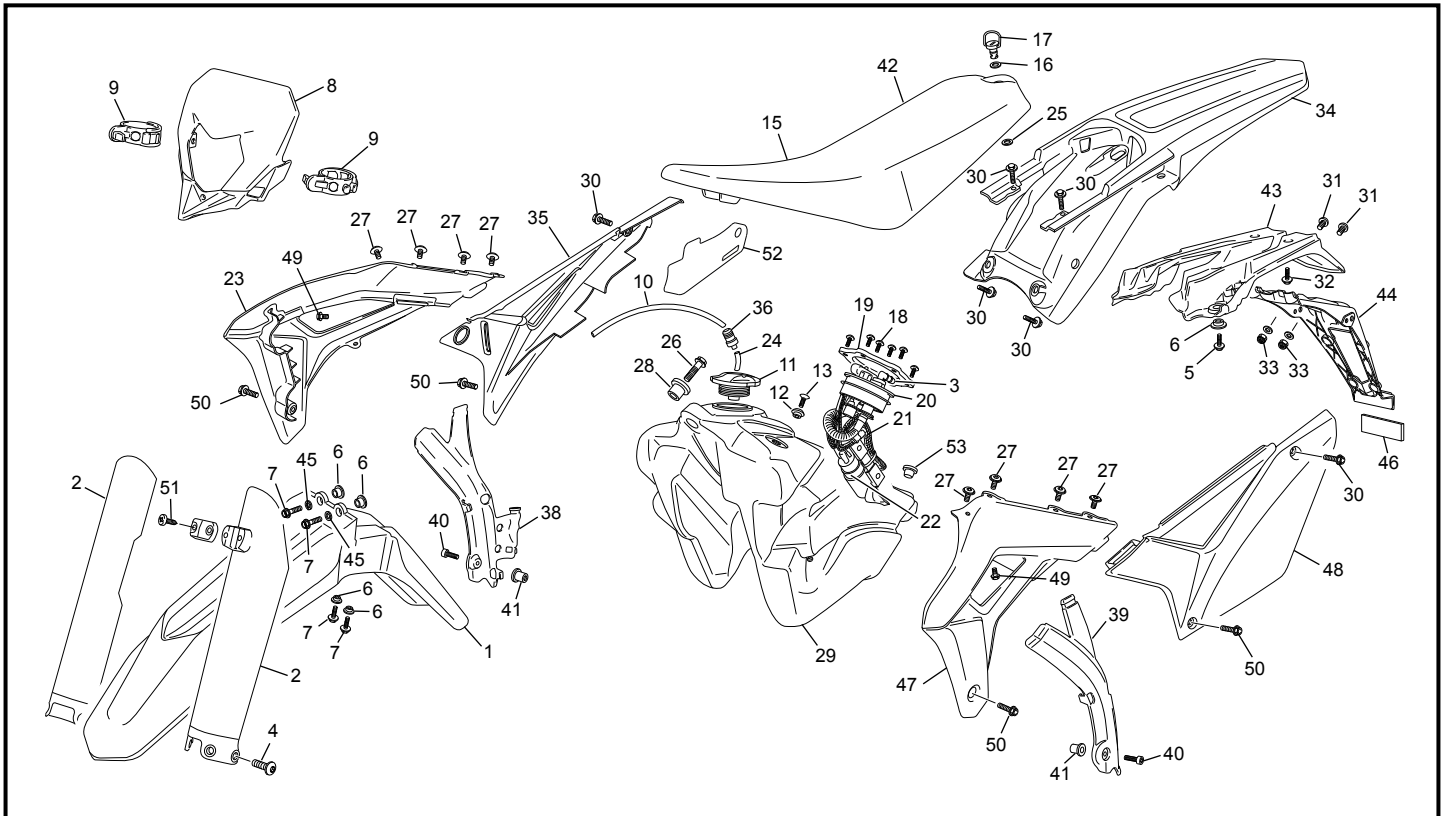
Plastiques / Plastics / Plásticos



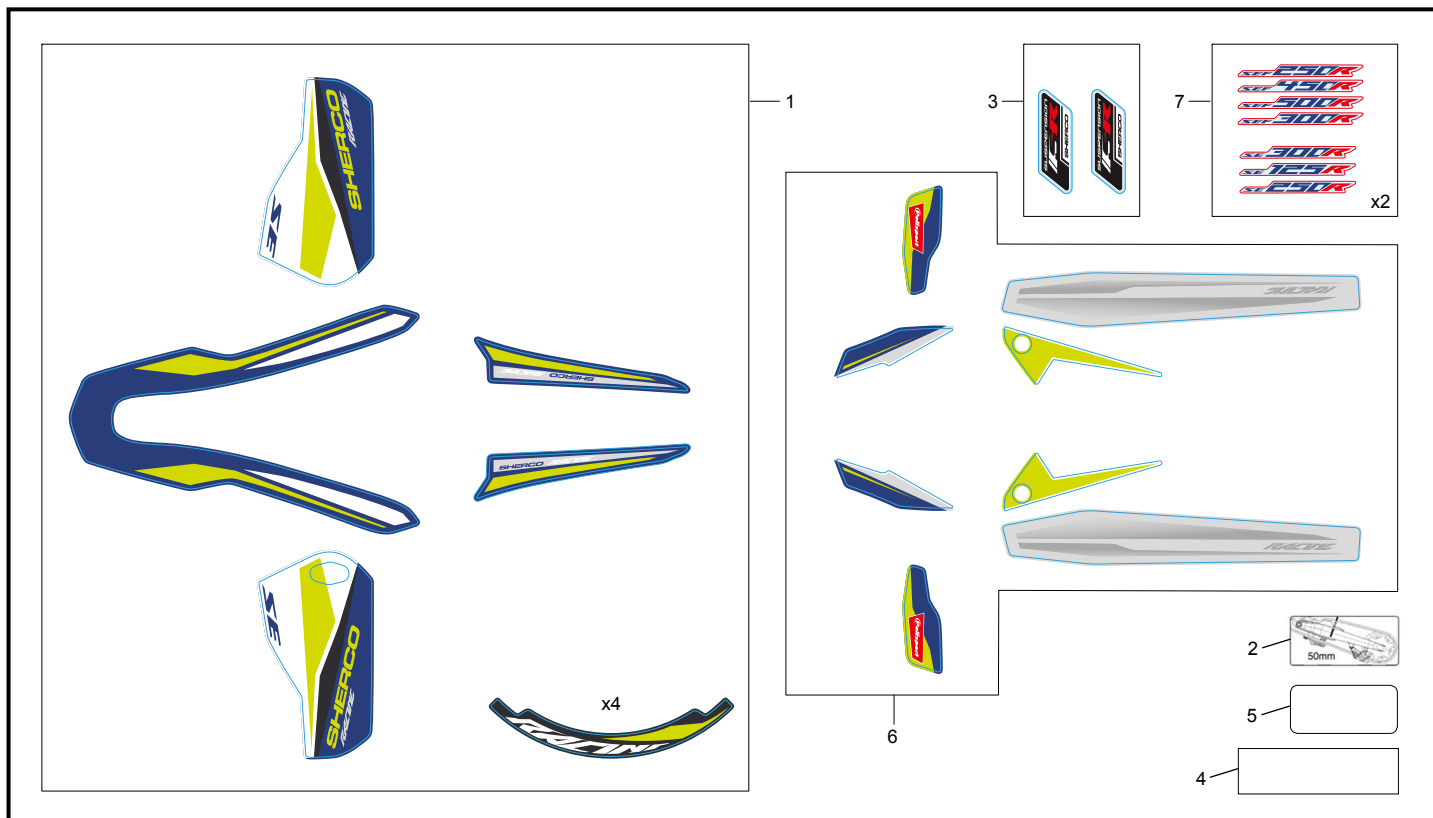
POS.	250 SEF-R RACING	300 SEF-R RACING	FRANÇAIS	ENGLISH	ESPAÑOL
1	6383	6383	PARE BOUE AVANT BLEU END 2016 EVO	BLUE FRONT MUGUARD END 450 2016 EVO	GUARDABARRO DEL AZUL END 450 2016 EVO
2	6755	6755	PROTECTEUR FOURCHE BLANC PAIRE	WHITE FORK PROTECTOR SET	PROTECTOR HORQUILLA JUEGO BLANCO
3	4944	4944	RACCORD PLASTIQUE POMPE ESS. END	FUEL CONEXION PUMP END	CONECTOR BOMBA GASOLINA END
4	6757	6757	VIS SPECIALE PROTECTEUR FOURCHE XPLOR	FORK PROTECTOR BOLT XPLOR	TORNILLO ESPECIAL PROTECTOR HORQUILLA XPLOR
5	0546	0546	VIS TH EP 6 X 20	SREW TH EP 6 X 20	TORNILLO TH EP 6 X 20
6	3097	3097	ENTRETOISE 2 INOX CARROSSERIE END 2011	SPACER 2 INOX BOODY END 2011	CASQUILLO 2 INOX CARROCERIA END 2011
7	0546	0546	VIS TH EP 6 X 20	SREW TH EP 6 X 20	TORNILLO TH EP 6 X 20
8	3065	3065	PLAQUE PHARE END 2012	FRONT LIGHT PLASTIC END 2012	PLACA FARO END 2012
9	H050	H050	ELASTIQUE PLAQUE PHARE	FRONT LIGHT RUBBER BAND	ELASTICO PLACA FARO
10	0252	0252	DURITE ESSENCE Dia int 5 Dia ext 9 X 350 MM	PETROL TUBE Dia int 5 Dia ext 9 X 350 MM	TUBO RESPIRADERO Dia int 5 Dia ext 9 X 350 MM
11	H398	H398	BOUCHON ESSENCE PLAT ACERBIS	PETROL CAP	TAPON GASOLINA PLANO ACERBIS
12	0497	0497	FIXATION SELLE RESERVOIR END 450	SPACER SEAT /TANK END 450	CASQUILLO SILING DEPOSITO END 450
13	0652	0652	VIS FHC M6 X 25	SCREW FHC M6 X 25	TORNILLO AVELL M6 X 25 DIN 7991
15	6971	6971	SELLE END SE SEF LUNA	BLACK SEAT SE SEF LUNA	SILLIN NEGRA SE SEF LUNA
16	6732	6732	RONDELLE PLASTIQUE SELLE 2017	WASHER PLASTIQUE SELLE 2017	ARENDELLA PLASTIQUE SELLE 2017
17	6685	6885	DZUS DE SELLE L29 D8 END 2017	DZUS DE SELLE L29 D8 END 2017	DZUS DE SELLE L29 D8 END 2017
18	0888	0888	VIS TH EP 5 X 16	SCREW TH EP M5 X16	TORNILLO TH EP M5 X16
19	3033	3033	PLATINE SUPPORT POMPE INJECTION END 2012	INJECTION PUMP HOLDER END 2012	SUPPORTE BOMBA INJECTION END 2012
20	3550	3550	JOINT TORIQUE POMPE A ESSENCE END 2012	O RING FUEL PUMP END 2012 VITON	TORICA BOMBA INYECCION FPM
21	3482	3482	POMPE INJECTION END 2012	INJECTION PUMP END 2012	BOMBA INJECTION END 2012
22	3351	3351	FILTRE A ESSENCE END BITRON	PETROL FILTER END BITRON	FILTRO GASOLINA END BITRON
23	7963	7963	OUIE DROITE END IPD RACING 2020	RADIATOR SIDE PANEL R END IPD RACING 2020	PLACA RADIADOR I DERE END IPD RACING 2020
24	5585	5585	DURITE ESSENCE Dia int 5 Dia ext 9 X 50 MM	PETROL TUBE Dia int 5 Dia ext 9 X 50 MM	TUBO RESPIRADERO DEPOSITO Dia int 5 Dia ext 9 X 50 MM
25	6683	6683	RONDELLE VERROUILLAGE DZUS END 450 D8	WASHER VEROUILLAGE DZUS END 450 D8	ARANDELLA VEROUILLAGE DZUS END 45 D8
26	0547	0547	VIS TH EP 6 X 30	SCREW TH EP 6 X 30	TORNILLO TH EP 6 X 30
27	6812	6812	VIS SPECIALE M6X8	SPECIAL SCREW M6X8	TORNILLO SPECIAL M6X8
28	3349	3349	SILENT BLOC RESERVOIR END 2012	SILENBLOC TANK END 2012	SILENBLOC DEPOSITO END 2012
29	6499	6499	RESERVOIR ESSENCE END 4T 17	PETROL TANK END 250 4T 17	DEPOSITO END 250 4T 17
30	5201	5201	VIS TH EP SPECIAL M 6 X 16	SPECIAL SCREW TH EP 6 X 16	TORNILLO ESPECIAL TH EP 6 X 16
31	3679	3679	VIS BHC 6 X 20 EMBASE zingue noir	SCREW BHC 6 X 20 BLACK	TORNILLO 6 X20 BHC NEGRO
32	3555	3555	VIS PLASTIQUE DELTA 5 X18	PLASTIC SCREW 5 X18	TORNILLO PLASTIC 5X18
33	2086	2086	ECROU EMBASE M6 EMBASE LISSE DIN 6923	COLLAR HEX NUT FLAT BASIS M6 DIN 6923	TUERCA CON VALONA BASE LISA M6 6923
34	7304	7304	PARE BOUE ARRIERE SE SEF BLEU	BLUE BACK MUDGUARD SE SEF	GUARDABARRO TRA SE SEF AZUL
35	7964	7964	PLAQUE LATERALE DROITE END IPD 2020	SIDE NUMBER PLATE R END IPD 2020	PLACA NO DER AZUL BLANCA END IPD 2020

*Sherco se réserve les droits de modification des références, merci de contrôler sur le portail Sherconetwork avant toute commande. - *Sherco reserves the right to make change on the references, please check on your Sherconetwork portal before ordering.
 *Sherco se reserva el derecho para hacer modificaciones sobre las referencias. Por favor, verifica en el Sherconetwork antes de hacer un pedido.

Plastiques / Plastics / Plásticos



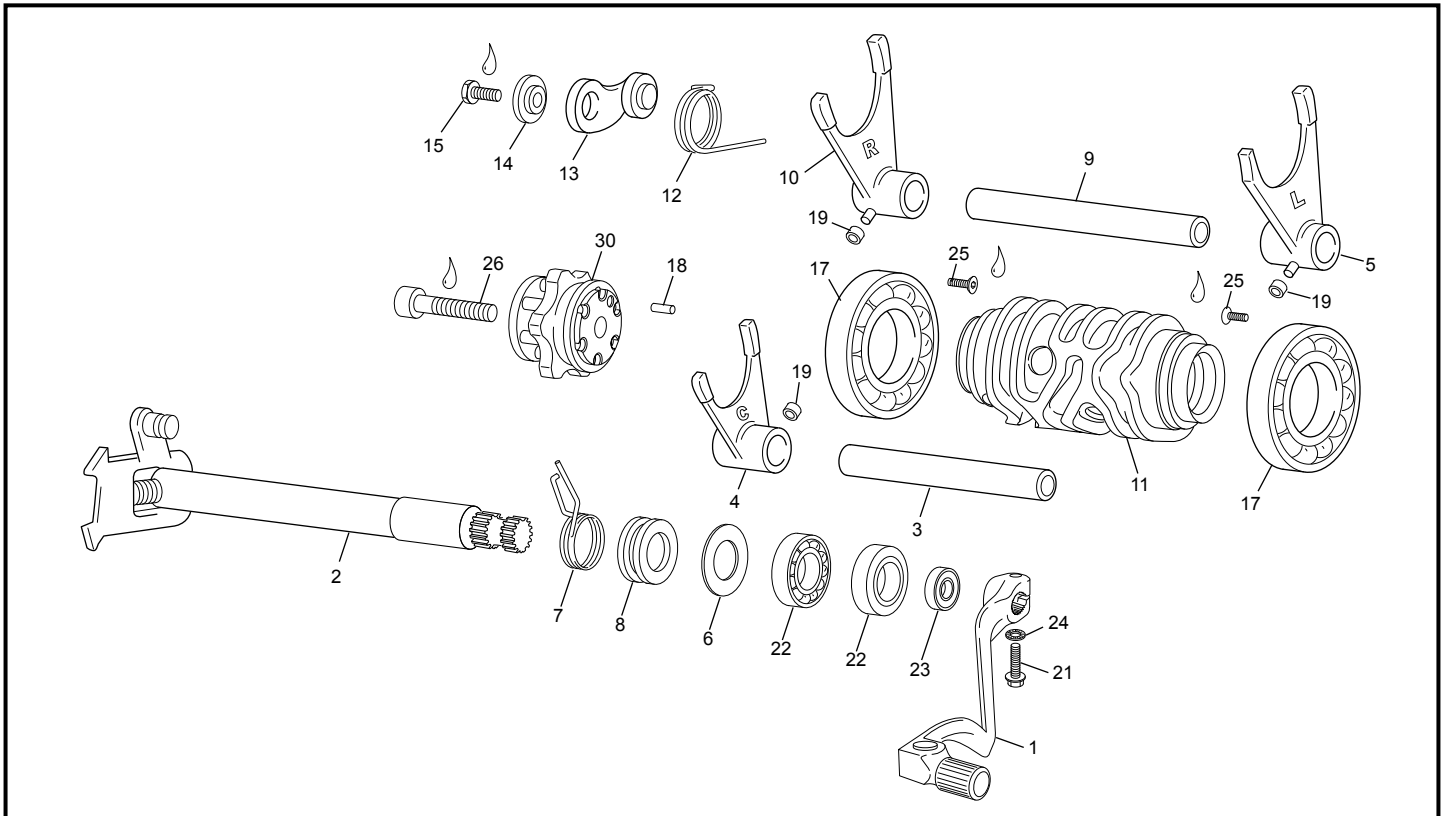
POS.	250 SEF-R RACING	300 SEF-R RACING	FRANÇAIS	ENGLISH	ESPAÑOL
36	5725	5725	VALVE ANTI RETOUR PASTIQUE	ANTI RETURN VALVE PLASTIK	VALVULA ANTI RETORNO PLASTICO
38	6618	6618	PROTECTEUR CADRE DROIT END 2017	RIGHT FRAME PROTECTOR END 2017	PROTECTOR CUADRO DERECHO END 2017
39	3486	3486	PROTECTEUR CADRE GAUCHE END 2012	LEFT FRAME PROTECTOR END 2012	PROTECTOR CUADRO IZQUIERDO END 2012
40	3880	3880	VIS BHC M5x30 EMBASE ZI	SCREW BHC M5x30 EMBASE ZI	TORNILLO BHC M5x30 EMBASE ZI
41	3793	3793	ECROU M5 WELNUT	ECROU M5 WELNUT	ECROU M5 WELNUT
42	7206	7206	HOUSSE DE SELLE END NOIRE LUNA	SLEEVE SEAT END BLACK LUNA	FUNDA ASIENTO END NEGRA LUNA
43	6512	6512	BAVETTE FEU AR SE SEF 2017	REAR NUMBER PLATE HOLDER SE SEF 2017	PORTAMATRICULAS TRASERO SE SEF 2017
44	3549	3549	SUPPORT PLAQUE IMMATRICULATION END 2012	SUPPORT NUMBER PLATE END 2012	SOPORT PLACA IMMATRICULACION END 2012
45	M317	M317	RONDELLE 6 X12 0407 6	WASHER X 6	ARANDELA 6 DIN 125 A
46	1526	1526	CATADIOPTRE ROUGE AR 50 125 END SM	REAR RED REFLECTORS 50 125 END SM	REFLECTORES ROJO TRAS 50 125 END SM
47	7962	7962	OUIE GAUCHE END IPD RACING 2020	RADIATOR SIDE PANEL L END IPD RACING 2020	PLACA RADIADOR IZQU END IPD FRACING 2020
48	7965	7965	PLAQUE LATERALE GAUCHE END IPD RACING 2020	SIDE NUMBER PLATE L END IPD RACING 2020	PLACA NO IZQ AZUL BLANCA END IPD RACING 2020
49	3554	3554	VIS BHC 6 X 8 EMBASE	SCREW BHC 6 X 8	TORNILLO 6 X8 BHC
50	5200	5200	VIS TH EP SPECIAL M 6 X 20	SPECIAL SCREW TH EP 6 X 20	TORNILLO ESPECIAL TH EP 6 X 20
51	3555	3555	VIS PLASTIQUE DELTA 5 X18	PLASTIC SCREW 5 X18	TORNILLO PLASTIC 5X18
52	6684	6684	PROTECTION THERMIQUE PLAQUE LATERAL	THERMIC PROTECTOR SIDE NUMBER PLATE	PROTECTOR TERMICO PLACA LATERAL
53	8567	8567	BOUCHON FIXATION RESERVOIR	FUEL TANK CAP FIXING	TAPON DEPOSITO



POS.	250 SEF-R RACING	300 SEF-R RACING	FRANÇAIS	ENGLISH	ESPAÑOL
1	7958	7958	KIT ADHESIF RACING JANTES GB FOURCHE SE SEF '20	MUD GARD RIM HAND FORK RACING STICKER KIT SE SEF '20	GUARD. HORQUILLA LLANTA RACING KIT ADH. SE SEF '20
2	3735	3735	ADH. TENSION DE CHAINE END 12	ADH. CHAIN TENSIONER END 12	ADH. TENSIÓN DE CADENA END 12
3	7777	7777	ADHESIF PROTECTION FOURCHE PAIRE RACING '19	STICKER FORK KIT RACING '19	JUEGO ADHESIVOS HORQUILLA RACING '19
4	4516	4516	ADHESIF CADRE PROTECTION NUMERO END	STICKER FRAME NUMBER PROTECTION END	ADHESIVO BASTIDOR NUM END
5	5617	5617	ADHESIF PROTECTION PLAQUE CONSTRUCTEUR END	STICKER MANUFACTURER PLATE PROTECTION END	ADHESIVO PLACA CONSTRUCTOR END
6	7959	7959	ADHESIF BRAS PARE MAIN PLAQUES RACING '20	STICKER SWING ARM HAND GARD PLATE KIT RACING '20	JUEGO ADH. BASC. PARAMANO PLACA RACING '20
7	8212	8211	ADHESIF SE RACING END 2020	SE RACING STICKER END 2020	SE RACING ADHESIVOS END 2020

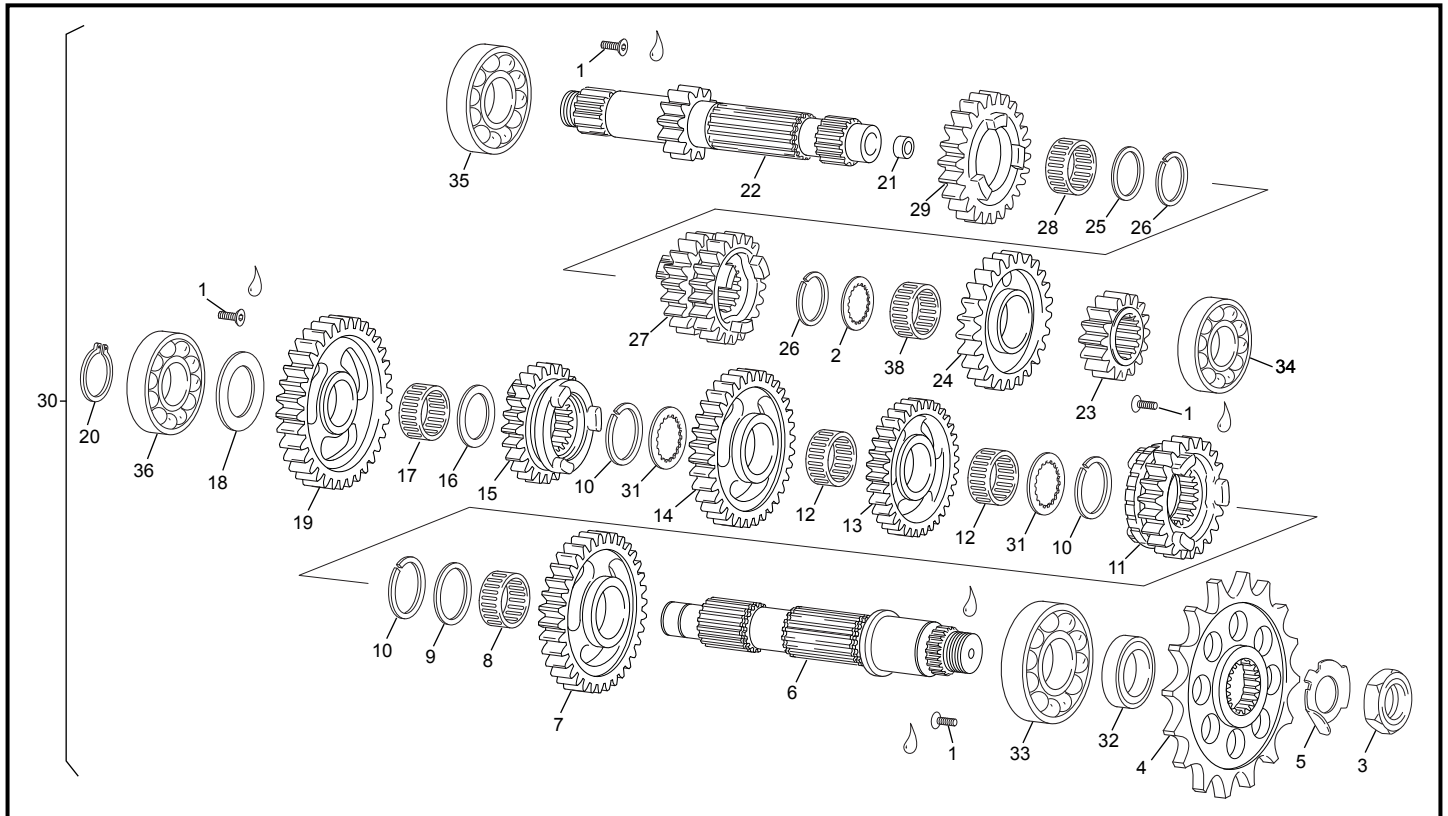
*Sherco se réserve les droits de modification des références, merci de contrôler sur le portail Sherconetwork avant toute commande. - *Sherco reserves the right to make change on the references, please check on your Sherconetwork portal before ordering.
 *Sherco se reserva el derecho para hacer modificaciones sobre las referencias. Por favor, verifica en el Sherconetwork antes de hacer un pedido.

Selecteur / Gear selector group / Selector cambio



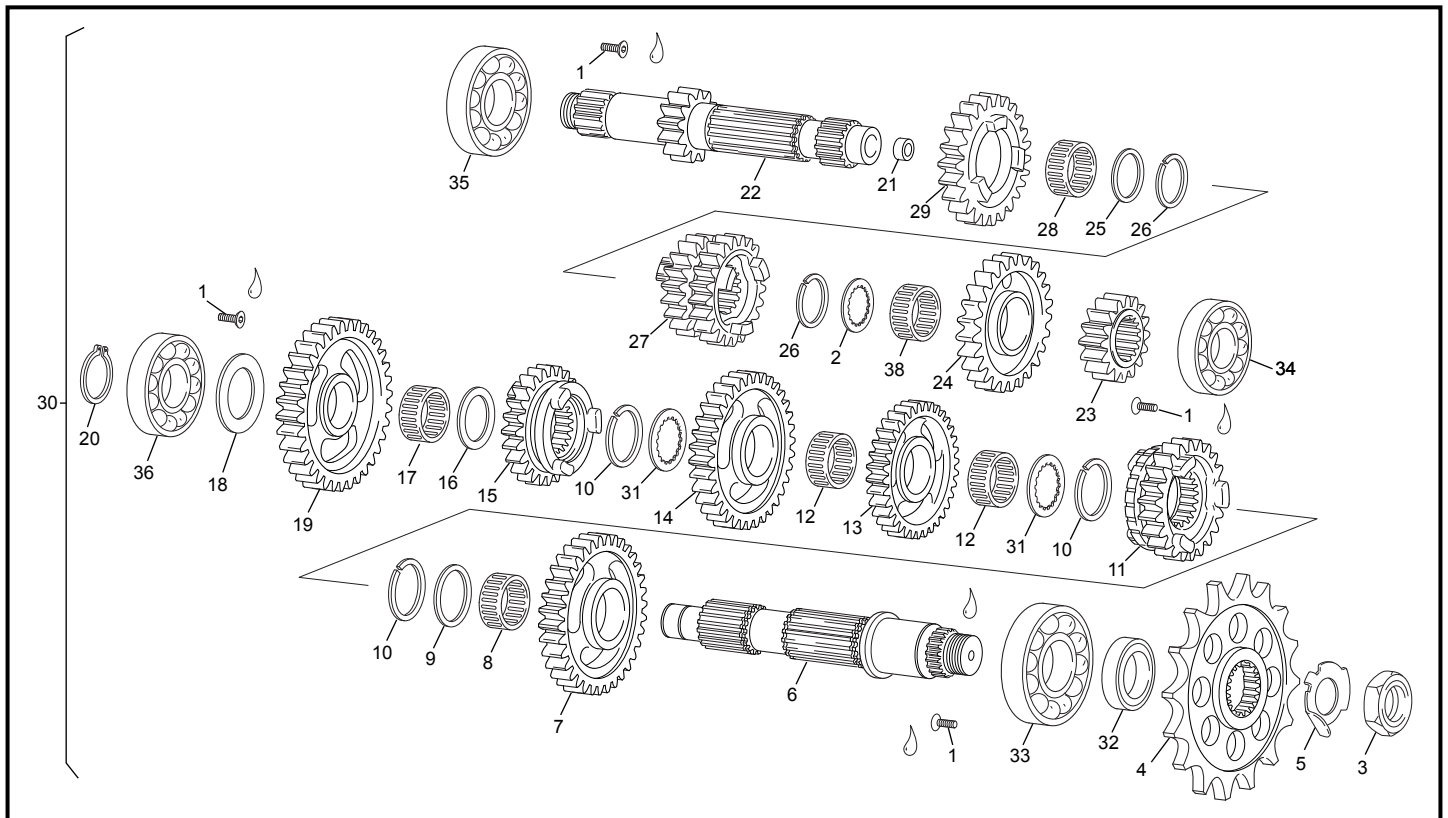
POS.	250 SEF-R RACING	300 SEF-R RACING	FRANÇAIS	ENGLISH	ESPAÑOL
1	1042	1042	SELECTEUR 250 300 450 SEF CYLINDRIQUE	SELECTEUR 250 300 450 SEF CYLINDRIQUE	PALANCA CAMBIO 250 300 450 SEF CYLINDER
2	5064	5064	AXE DE SELECTEUR COMPLET 250 END	AXE DE SELECTEUR COMPLET 250 END	ARBOL SELECTOR CILINDRICO 250 END
3	1019	1019	AXE DE FOURCHETTE 250 END	AXE DE FOURCHETTE 250 END	EJE HORQUILLA 90 MM 250 END
4	2324	2324	FOURCHETTE 5/6 250 END/MX EVO	FOURCHETTE 5/6 250 END/MX EVO	HORQUILLA 5/6 250 END/MX EVO
5	1016	1016	FOURCHETTE 2/4 250 END	FOURCHETTE 2/4 250 END	HORQUILLA 2/4 250 END
6	0529	0529	RONDELLE 14 X 28 X 1	RONDELLE 14 X 28 X 1	ARANDELLA 14 X 28 X 1
7	0208	0208	RESSORT RAPPEL SELECTEUR END	RESSORT RAPPEL SELECTEUR END	MUELLE SELECTOR
8	0209	0209	DOUILLE RESSORT SELECTEUR END	DOUILLE RESSORT SELECTEUR END	CASQUILLO MUELE SELECTOR END
9	1018	1018	AXE DE FOURCHETTE 100MM 250 END	AXE DE FOURCHETTE 100MM 250 END	EJE HORQUILLA 100MM 250 END
10	1017	1017	FOURCHETTE 1/3 250 END	FOURCHETTE 1/3 250 END	HORQUILLA 1/3 250 END
11	1013	1013	BARILLET DE SELECTION 250 END	BARILLET DE SELECTION 250 END	DESMODRONICO SELECTOR 250 END
12	1022	1022	RESSORT EPINGLE DE DOIGT 250 END	RESSORT EPINGLE DE DOIGT 250 END	MUELLE BOOMERANG 250 END
13	5138	5138	DOIGT DE VEROUILLAGE COMPLET 250 END EVO	DOIGT DE VEROUILLAGE COMPLET 250 END EVO	PALANCA CIERRE SELECTOR 250 END EVO
14	0215	0215	ENTRETOISE DE VEROUILLAGE 450 END	ENTRETOISE DE VEROUILLAGE 450 END	CASQUILLO GUIA LEVA 450 END
15	0548	0548	VIS TH EP 6 X 35	VIS TH EP 6 X 35	TORNILLO TH EP 6 X35
17	0868	0868	ROULEMENT 61905 DE BARILLET 250 END	ROULEMENT 61905 DE BARILLET 250 END	RODAMIENTO 61905 DE TAMBOR 250 END
18	0101	0101	AIGUILLE NRB X 3 X 11.8	AIGUILLE NRB X 3 X 11.8	AGUJAS X 3 X 11.8
19	1015	1015	ROULEAU FOUCHETTE 250 END	ROULEAU FOUCHETTE 250 END	ANILLO HORQUILLA 250 END
21	0546	0546	VIS TH EP 6 X 20	VIS TH EP 6 X 20	TORNILLO TH EP 6 X 20
22	0527	0527	DOUILLE AIGUILLE HK 1412	DOUILLE AIGUILLE HK 1412	CASQUILLO AGUJAS HK14 12
23	0660	0660	JOINT LEVRE DOUBLE 14X24X6 NITRILE L METAL	JOINT LEVRE DOUBLE 14X24X6 NITRILE L METAL	RETEN 14X24X6 NITRILE DOUBLE L METAL
24	0746	0746	RONDELLE AET 6	RONDELLE AET 6	ARANDELA AET6
25	0872	0872	VIS FHC M5 X 10 250 END DIN 7991	VIS FHC M5 X 10 250 END DIN 7991	TORNILLO FHC M5 X10 250 END
26	M253	M253	VIS CHC 6 X 30 0084	VIS CHC 6 X 30 0084	TORNILLO 6 X 30 DIN 912
30	5137	5137	ETOILE DE SELECTION 250 END 4T EVO	ETOILE DE SELECTION 250 END 4T EVO	ESTRELLA SELECTOR 250 END 4T EVO

Boîte a vitesses / Gear set / Cambio



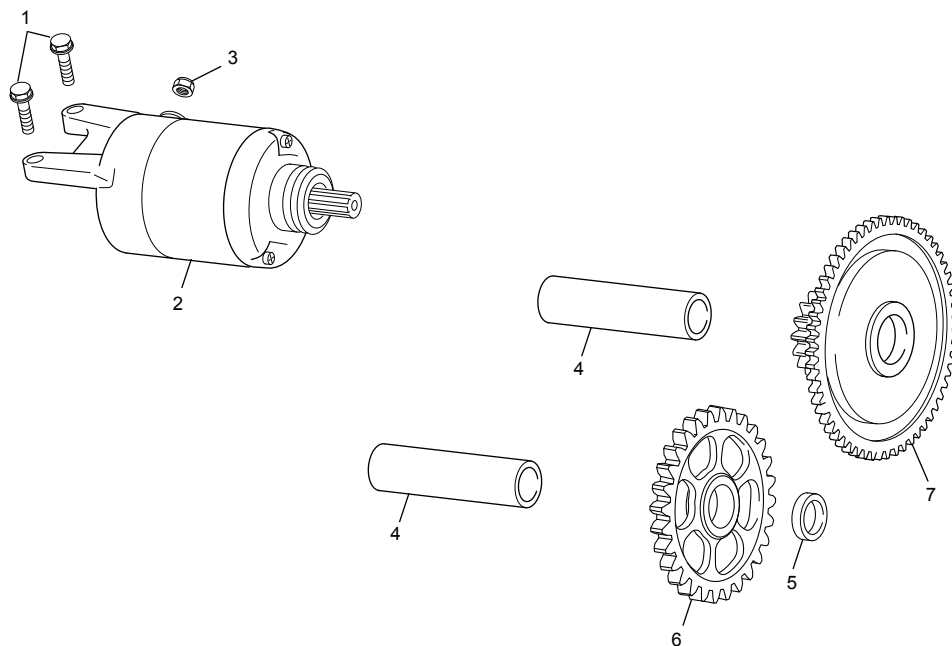
POS.	250 SEF-R RACING	300 SEF-R RACING	FRANÇAIS	ENGLISH	ESPAÑOL
1	0872	0872	VIS FHC M5 X 10 DIN 7991 PRE IMPREGNEE FAIBLE	SCREW FHC M5 X 10 250 END PRE IMPREGNEE FAIBLE	TORNILLO FHC M5 X10 250 END PRE IMPREGNEE FAIBLE
2	1794	1794	RONDELLE 19.5x27.8x1 250 END	Washer 19.5x27.8x1	ARANDELLA CIGUENAL 19.5x27.8x1 250 END
3	0994	0994	ECROU M18 X 100	NUT M18 X 100	TUERCA M 18 X 100
4	1012	1012	PIGNON SORTIE DE BOITE Z 13 250 END	DRIVE SPROCKET Z13 250 END	PINON CADENA Z13 250 END
4	1007	1007	PIGNON SORTIE DE BOITE Z14 250 END	DRIVE SPROCKET Z14 250 END	PINON CADENA Z14 250 END
5	3463	3463	RONDELLE PIGNON SORTIE DE BOITE 250/300 END	WASHER CHAIN PINION 250/300 END	ARANDELA PINON CADENA 250/300 END
6	1775	1775	ARBRE SECONDAIRE 250/300 SEF	SECONDARY SHAFT 250/300 SEF	EJE SECUNDARIO 250/300 SEF
7	4181	4181	PIGNON Z30 2EM	GEAR 2ND Z30	PINON 2 Z30
8	1778	1778	BAGUE A AIGUILLE 24X28X10 250 END	NEEDLE BEARING 24X28X10 250 END	CASQUILLO DE AGUJA 24X28X10 250 END
9	1779	1779	RONDELLE 24.2X32X1.5 250 END	SHAFT WASHER 24.2X32X1.5 250 END	ARANDELLA 24.2X32X1.5 250 END
10	1780	1780	CIRCLIP SW 23	CIRCLIP SW 23	CIRCLIP SW 23
11	1781	1781	PIGNON 5 Z22 250 END	GEAR 5TH Z22 250 END	PINON 5 Z22 250 END
12	1782	1782	BAGUE A AIGUILLE K20X24X10 250 END	NEEDLE BEARING K 20X24X10 250 END	CASQUILLO DE AGUJA K20X24X10 250 END
13	5062	5062	PIGNON 4 Z26 250 END	GEAR 4TH Z26 250 END	PINON 4 Z26 250 END
14	1785	1785	PIGNON 3 Z28 250 END	GEAR 3TH Z28 250 END	PINON 3 Z28 250 END
15	1784	1784	PIGNON 5 Z24 250 END	GEAR 5TH Z24 250 END	PINON 5 Z24 250 END
16	1787	1787	RONDELLE 18.2X28X1.5 250 END	SHAFT WASHER 18.2X28X1.5 250 END	ARANDELLA 18.2X28X1.5 250 END
17	3366	3366	CAGE A AIGUILLE K18x22x10:	NEEDL BEARING K18x22x10:	COJINETE AGUJAS K18x22x10:
18	1788	1788	RONDELLE 17X28X1.5 250 END	SHAFT WASHER 17X28X1.5 250 END	ARANDELLA CIGUENAL 17X28X1.5 250 END
19	4180	4180	PIGNON 1 Z33 250 END	GEAR 1 Z33 250 END	PINON 1 Z33 250 END
20	M171	M171	SEGMENT ARRET DIAN 17	RETAINING RING17	SIGER DIAMETRO 17
21	1790	1790	BAGUE BRONZE END 250	SPACER BRONZE END 250	CASQUILLO BRONZE END 250
22	4332	4332	ARBRE PRIMAIRE 250 END EVO2	AXLE MAIN 250 END EVO 2	EJE PRIMARIO 250 END EVO2
23	4182	4182	PIGNON 2 Z17 250 END	GEAR 1 Z17 250 END	PINON 1 Z17 250 END
24	1793	1793	PIGNON 6 Z25 250 END	GEAR 6 Z25 250 END	PINON 6 Z25 250 END
25	1794	1794	RONDELLE 19.5x27.8x1 250 END	Washer 19.5x27.8x1	ARANDELLA CIGUENAL 19.5x27.8x1 250 END
26	1795	1795	CIRCLIP SW 21	CIRCLIP SW 21	CIRCLIP SW 21
27	1796	1796	PIGNON 3/4 Z19/21 250 END	GEAR 3/4 Z19/21 250 END	PINON 3/4 Z19/21 250 END
28	1797	1797	BAGUE A AIGUILLE 22X26X10 250 END	NEEDLE BEARING K22 250 END	CASQUILLO DE AGUJA 22X26X10 250 END
29	5061	5061	PIGNON 5 Z23 250 END	GEAR 5TH Z23 250 END	PINON 5 Z23 250 END
30	3537	3537	BOITE DE VITESSE COMPLETE 250 END EVO2	COMPLETE GEAR SET 250 END/MX EVO2	CTO. CAMBIO 250 END MX EVO2
31	1799	1799	RONDELLE 21.5X31X1 250 END	SHAFT WASHER 21.5X31X1 250 END	ARANDELLA 21.5X31X1 250 END
32	0877	0877	JOINT LEVRE 25 X 37 X 6 DL 250 END	SEAL RING 25 X 37 X 6 DL 250 END	RETEN BOMBA 25 X 37 X 6 DL 250 END
33	0174	0174	ROULEMENT BILLE 6205 C3	BEARING BALL 6205 C3	COJINETE 6205 C3

Boîte a vitesses / Gear set / Cambio



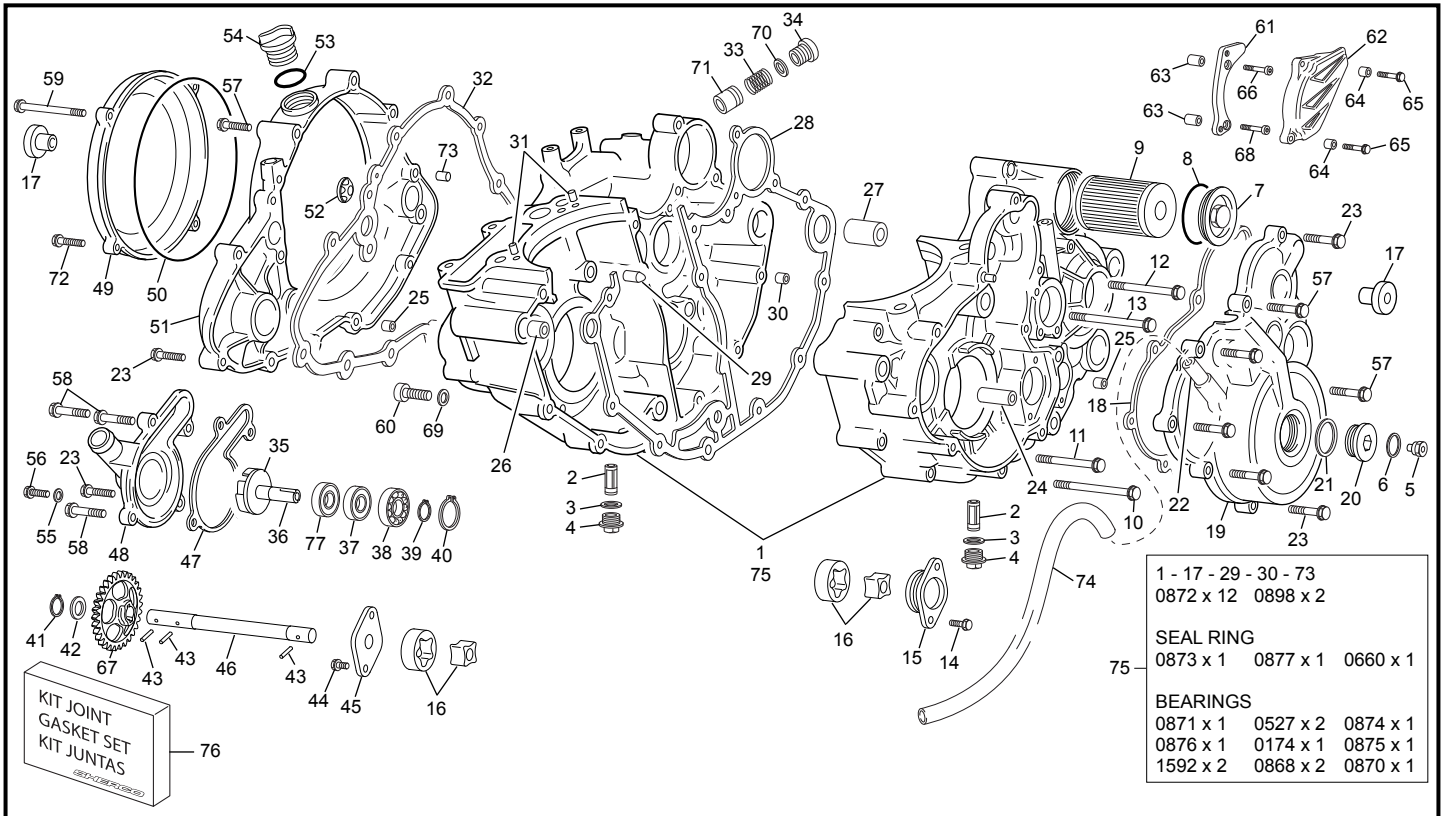
POS.	250 SEF-R RACING	300 SEF-R RACING	FRANÇAIS	ENGLISH	ESPAÑOL
34	0874	0874	ROULEMENT 6003 2RSLTN9/C3VT162	BALL BEARING 6003 2RSLTN9/C3VT162	COJINETE 6003 2RSLTN9/C3VT162
35	0876	0876	ROULEMENT 6222 250 END	BALL BEARING 6222 250 END	COJINETE 6222 250 END
36	0874	0874	ROULEMENT 6003 2RSLTN9/C3VT162	BALL BEARING 6003 2RSLTN9/C3VT162	COJINETE 6003 2RSLTN9/C3VT162
38	3366	3366	CAGE A AIGUILLE K18x22x10:	NEEDL BEARING K18x22x10:	COJINETE AGUJAS K18x22x10:

Démarrreur / Starter Motor / Motor Starter



POS.	250 SEF-R RACING	300 SEF-R RACING	FRANÇAIS	ENGLISH	ESPAÑOL
1	0546	0546	VIS TH EP 6 X 20	SREW TH EP 6 X 20	TORNILLO TH EP 6 X 20
2	0972	0972	DEMARREUR ELECTRIQUE 250 END	ELECTRIC START ENGINE 250 END	MOTOR ELECTRIC STARTER 250 END
3	M306	M306	ECROU NYLSTOP M6 0368.6	NUT NYLSTOP M6	TUERCA NYLSTOP M6
4	0960	0960	AXE PIGNON INTERMEDIAIRE 250 END	INTERMEDIARI GEAR AXIS 250 END	EJE PIÑON INTERMEDIARIO 250 END
5	0961	0961	ENTRETOISE PIGNON INTERMEDIAIRE 250 END	WASHER INTERMEDIARI SPOKET 250 END	CASQUILLO EJE INTERMEDIARIO 250 END
6	7972	7972	PIGNON INTERMEDIAIRE Z28 250 SEF LIGHT	STARTER GEAR Z 28 250 SEF LIGHT	PINON INTERMEDIO Z28 250 SEF LIGHT
7	1995	1995	LIMITEUR DE COUPLE 250 END	TORQUE LIMITER 250 END	LIMITADOR DE PAR 250 END

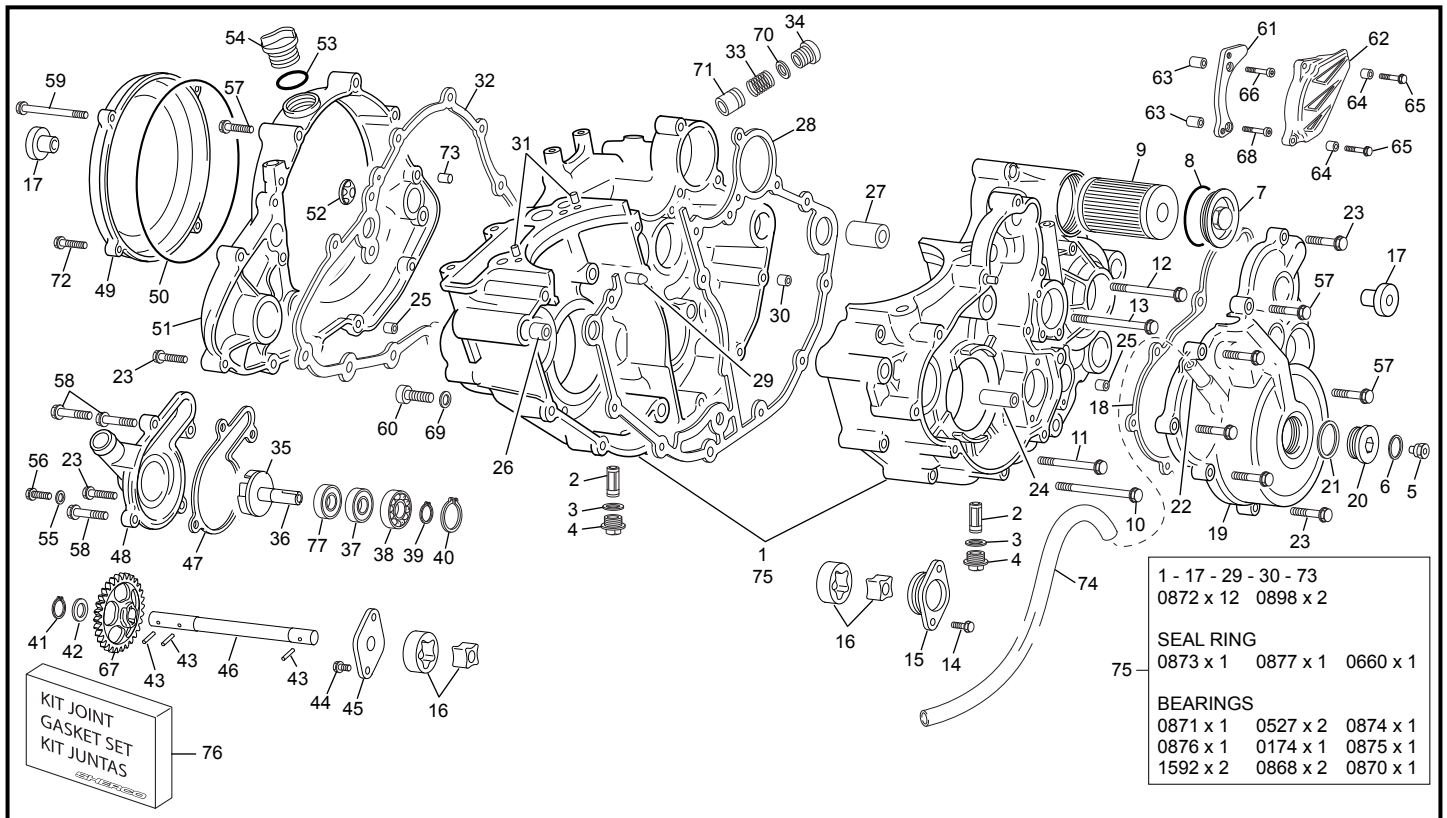
Groupe carters / Crankcase assembly / Grupo carters



POS.	250 SEF-R RACING	300 SEF-R RACING	FRANÇAIS	ENGLISH	ESPAÑOL
1	5016	5016	GRUPE CARTERS CENTRAUX 250 EVO 105 SEF COMPLETS	CRANKCASE SET 250 EVO SEF PREASSEMBLY	JUEGO CARTERS CENTRALES 250 EVO SEF COMPLETO
2	0508	0508	PREFILTRE END 450	PREFILTER END 450	PREFILTRO END 450
3	0583	0583	RONDELLE CUIVRE DIAM 18 X 22 X 1.5	WASHER Cu DIAM 18 X 22 X 1.5	ARANDELA Cu DIAM 18 X 22 X 1.5
4	0507	0507	BOUCHON 18 PREFILTRE END 450	CAP 18 END 450	TAPON 18 END 450
5	0510	0510	BOUCHON 12 VIDANGE END 450	CAP 12 END 450	TAPON 12 END 450
6	0610	0610	RONDELLE CUIVRE 12 X 18 X 1.5 END 450	WASHER Cu 12 X 18 X 1.5 END 450	ARANDELA Cu 12 X 18 X 1.5 END 450
7	0117	0117	COUVERCLE FILTRE HUILE END	OIL FILTER CUP END	TAPON FILTRO ACIETE END
8	0118	0118	JOINT TORIQUE 41 X 1.78	O RING 41 X 1.78	TORICA 41 X 1.78
9	0116	0116	FILTRE A HUILE PAPIER END	OIL FILTER END	FILTRO ACIETE END
10	0550	0550	VIS TH EP 6 X 55	SREW TH EP 6 X 55	TORNILLO TH EP 6 X 55
11	0551	0551	VIS TH EP 6 X 60	SREW TH EP 6 X 60	TORNILLO TH EP 6 X 60
12	0552	0552	VIS TH EP 6 X 75	SREW TH EP 6 X 75	TORNILLO TH EP 6 X 75
13	0550	0550	VIS TH EP 6 X 55	SREW TH EP 6 X 55	TORNILLO TH EP 6 X 55
14	0553	0553	VIS TH EP 5 X 12	SREW TH EP 5 X 12	TORNILLO TH EP 5 X 12
15	0947	0947	COUVERCLE DE POMPE A HUILE 250 END	OIL PUMP COVER 250 END	TAPA BOMBA DE ACEITE 250 END
16	0946	0946	POMPE A HUILE COMPLETE 250 SEF	OIL PUMP SET 250 SEF	BOMBA DE ACEITE COMPLETE 250 SEF
17	1106	1106	BAGUE CARTER 450 510	COLLAR BUSH	MANGUITO CARTER 450 510
18	0859	0859	JOINT DE CARTER D ALLUMAGE 250 END	GASKET MAGNETO COVER 250 END	JUNTA CARTER ENCENDIDO
19	8106	8106	CARTER D ALLUMAGE 250 END SYN MANGANESE	IGNITION COVER 250 END SYN MANGANESE	CARTER INCENDIDO 250 END SYN AMANGANESE
20	6411	6411	BOUCHON CARTER SEF M27X100 EVO	MAGNETIC SEF M27X100 EVO	TAPON TAPA SEF M27X100 EVO
21	M644	M644	JOINT TORIQUE 23 X 2.5 BOUCHON FILTRE HUILE TRIAL	O-RING 23 X 2.5 CAP OIL FILTER TRIAL	JUNTA TORICA 23 X 2 TAPON FILTRO ACIETE TRIAL
22	1722	1722	RENIFLARD CARTER CENTRAL END 250	AIR VENT CRANKCASES END 250	DEPRESOR CARTERS END 250
23	0970	0970	VIS TH EP 6 X 25	SCREW TH EP M6 X 25	TORNILLO TH EP M6 X 25
24	1580	1580	AXE CENTRIFUGEUR 250 END	CENTRIFUGAL AXIS 250 END	EJE CENTRIFUGA 250 END
25	0008	0008	DOUILLES CENTRAGE 8X6X11	SPACER CENTRAGE 8X6X11	CENTRADOR 8X6X11
26	0006	0006	DOUILLES CENT CARTERS CENT ANTERIEUR 14X11X16	SPACER CRANK CASE FRONT 14X11X16	CASQUILLO CARTER CENTRAL DEL 14X11X16
27	0490	0490	DOUILLE CENT CARTERS CENT POSTERIEURE 21.5X17.5X18	SPACER CRANK CENT POST 21.5X17.5X18	CASQUILLO CENTRADO CARTER POST 21.5X17.5X18
28	4599	4599	JOINT DE CARTER CENTRAL 250/300 LC END	CRANKCASE GASKET 250/300 LS END	JUNTA CARTER CENTRAL 250/300 LC END
29	0865	0865	GICLIEUR D HUILE DE PISTON 250 END	PISTON OIL JET 250 END	CHICLE PISTON 250 END
30	0866	0866	GICLIEUR DE BOITE 0.6MM 250 END	GEARBOX JET OIL 0.6MM 250 END	CHICLE CAMBIO 0.6MM 250 END
31	0864	0864	AIGUILLE 5 X 10 250 END	NEEDLE 5 X 10 250 END	AGUJA 5 X 10 250 END
32	0858	0858	JOINT DE CARTER EMBRAYAGE 250 END	CLUTCH COVER GASKET 250 END	JUNTA CARTER EMBRAGE 250 END
33	0950	0950	RESSORT PISTON CLAPET DE DECHARGE 250 END	OIL VALVE SPRING 250 END	RESORTE 250 END
34	0952	0952	VIS DE CLAPET M 14 X 100 250 END	VIS M 14 X 100 DE CLAPET 250 END	VIS M 14 X 100 DE CLAPET 250 END

*Sherco se réserve les droits de modification des références, merci de contrôler sur le portail Sherconetwork avant toute commande. - *Sherco reserves the right to make change on the references, please check on your Sherconetwork portal before ordering.
*Sherco se reserva el derecho para hacer modificaciones sobre las referencias. Por favor, verifica en el Sherconetwork antes de hacer un pedido.

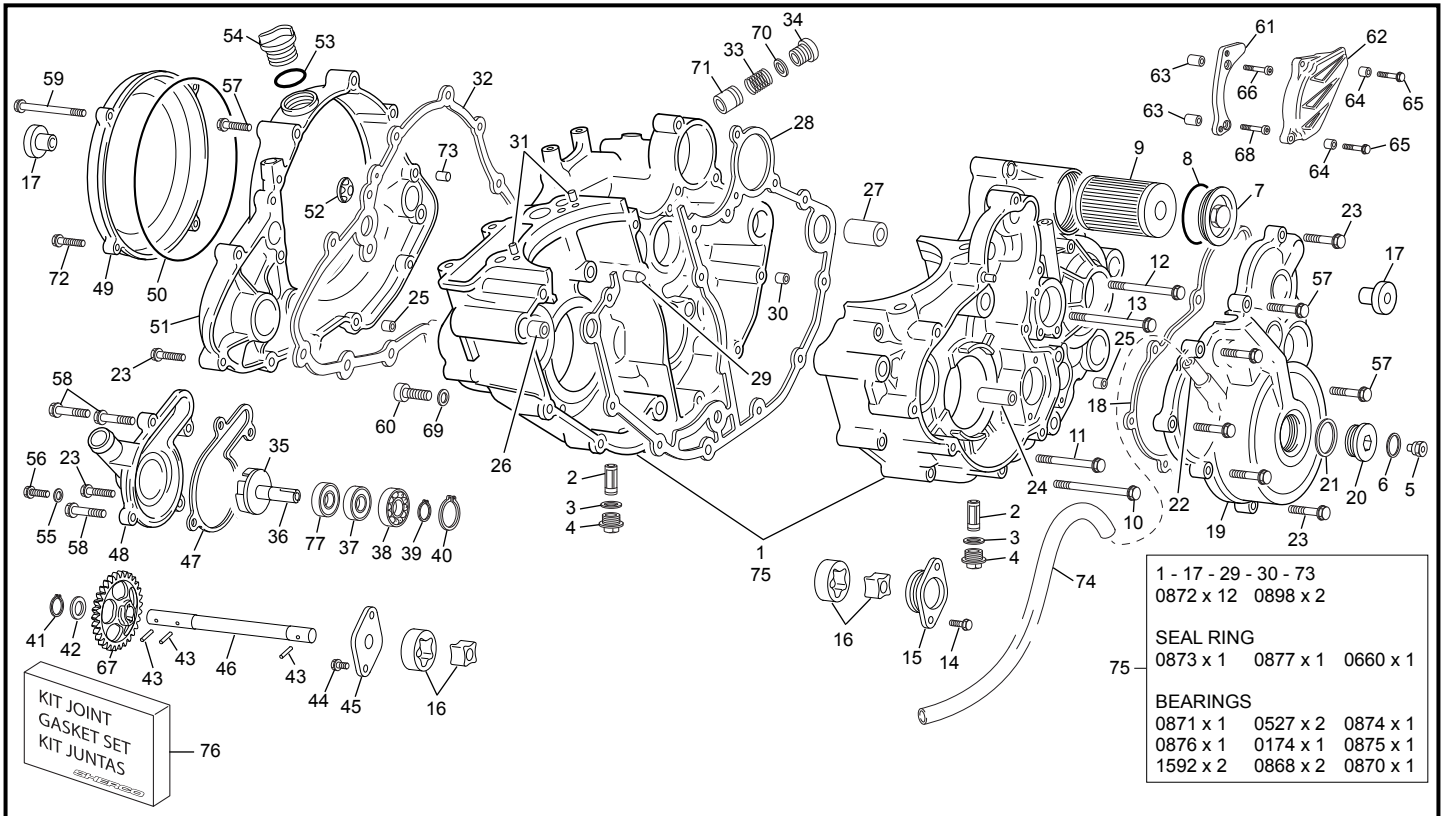
Groupe carters / Crankcase assembly / Grupo carters



POS.	250 SEF-R RACING	300 SEF-R RACING	FRANÇAIS	ENGLISH	ESPAÑOL
35	6220	6220	ROTOR DE POMPE A EAU 250/300 SEF EVO	WATER PUMP ROTOR 250/300 SEF EVO	ROTOR BOMBA AGUA 250/300 SEF EVO
36	8012	8012	AXE POMPE A EAU 250/300 SEF EVO	WATER PUMP AXLE 250/300 SEF EVO	EJE BOMBA AGUA 250 250/300 SEF EVO
37	6071	6071	JOINT LEVRE 12 X 24 X 4.5 BAL PRESSION	SEAL RING 12 X 24 X 4.5 BAL PRESSION	RETEN 12 X 24 X 4.5 BAL PRESSION
38	0939	0939	ROULEMENT 16100 250 END	BALL BEARING 16100 250 END	COJINETE 16100 250 END
39	0096	0096	CIRCLIPS DIAM 10X1 E 10	RETAINING RING 10X1 E 10	SEGER 10X1 E 10
40	0942	0942	CIRCLIPS B28 DIN472 250 END	CIRCLIPS B28 DIN 472 250 END	CIRCLIP B28 DIN 472 250 END
41	0080	0080	SEGMENT D'ARRET E 8	REATAINING RING E 8	SEGER E 8
42	0955	0955	RONDELLE CALAGE 8 X 12 X 1 250 END	ADJUST WASHER 8 X 12 X 1 250 END	ARANDELA REGLAGE 8 X 12 X 1 250 END
43	0954	0954	AIGUILLE 2.5 X 11.8 250 END	NEEDLE 2.5 X 11.8 250 END	ABUJA 2.5 X 11.8 250 END
44	0553	0553	VIS TH EP 5 X 12	SREW TH EP 5 X 12	TORNILLO TH EP 5 X 12
45	0948	0948	CLOISON DE POMPE 250 END	PUMP COVER 250 END	TAPA BOMBA 250 END
46	0945	0945	AXE DE POMPE A HUILE 250 END	PUMPSHAFT 250 END	EJE BOMBA DE ACEITE 250 END
47	0937	0937	JOINT CARTER POMPE A EAU 250 END	WATER SEAL RING 250 END	JUNTA DE BOMBA AGUA 250 END
48	0938	0938	COUVERCLE POMPE EAU 250 END	WATER PUMP COVER 250 END	TAPA BOMBA AGUA 250 END
49	8190	8190	COUVERCLE D EMBRAYAGE 250/300 SEF MANGANESE	INJECTED CLUTCH COVER 250 END MANGANESE	TAPA EMBRAGUE INYECTADA 250 END MANGANESE
50	0989	0989	JOINT DE COUVERCLE D EMBRAYAGE 250 END	CLUTCH O-RING 250 END	JUNTA TAPA EMBRAGUE 250 END
51	0980	0980	CARTER D EMBRAYAGE 250 END	CLUTCH CRANKCASE 250 END	CARTER EMBRAGUE 250 END
52	0029	0029	VOYANT NIVEAU HUILE (0X25X7,2)	OIL LEVEL GAUGE (0X25X7,2)	VISOR NIVEL ACEITE (0X25X7,2)
53	0606	0606	JOINT TORIQUE 19 X3	O RING 19 X 3	TORICA 19 X 3
54	0509	0509	BOUCHON 24 HUILE 450 / 500 END	CAP 24 450 / 500 END	TAPON 24 450 / 500 END
55	0601	0601	RONDELLE ALU 6.5 X 11 X 1 END 450	WASHER ALU 6.5 X 11 X 1 END 450	ARENDELLA ALU 6.5 X 11 X 1 END 450
56	0592	0592	VIS TH EP 6 X 8	SCREW TH EP 6 X 8	TORNILLO TH EP 6 X 8
57	0547	0547	VIS TH EP 6 X 30	SCREW TH EP 6 X 30	TORNILLO TH EP 6 X 30
58	0548	0548	VIS TH EP 6 X 35	SCREW TH EP 6 X 35	TORNILLO TH EP 6 X35
59	0552	0552	VIS TH EP 6 X 75	SREW TH EP 6 X75	TORNILLO TH EP 6 X 75
60	0855	0855	BOUCHON TSC/FOM 10 X 1 VILO 250 END	PLUG TSC/FOM 10 X 1 250 END without external washer	TAPON TSC/FOM 10 X 1 250 END
61	1588	1588	PROTECTEUR PIGNON CHAINE 250 END	CASE PROTECTOR 250 END	PROTECTOR PINON CADENA 250 END
62	0538	0538	CARTER PIGNON SORTIE DE BOITE 450 / 500 END	PINION CHAIN COVER 450 / 500 END	CARTER PROTECTOR PINION CADENA 450 / 500 END
63	1701	1701	ENTRETOISE CARTER DE CHAINE 250	SPACER CHAIN COVER	CASQUILLO TAPON CADENA
64	0008	0008	DOUILLES CENTRAGE 8X6X11	SPACER CENTRAGE 8X6X11	CENTRADOR 8X6X11
65	0656	0656	VIS TH EP 6 X 16	SREW TH EP 6 X 16	TORNILLO TH EP 6 X 16
66	1720	1720	VIS CHC 6 X 25 TETE BASSE ZI BLANC DIN 7984 8.8	SCREW CHC 6 X 25 SP	TORNILLO CHC 6 X 25 TETE BASSE ZI
67	7937	7937	PIGNON INTERMEDIAIRE DE POMPE A HUILE Z30 LIGHT	PUMPGEAR Z30 250 END LIGHT	PINON INTERMEDIO BOMBA A ACEITE Z30 250 END LIGERO
68	1721	1721	VIS CHC 6 X 30 ZI BL DIN 7984 PRE IMPREGNEE FAIBLE	SCREW CHC 6 X 30 SP	TORNILLO CHC 6 X 30 TETE BASSE ZI

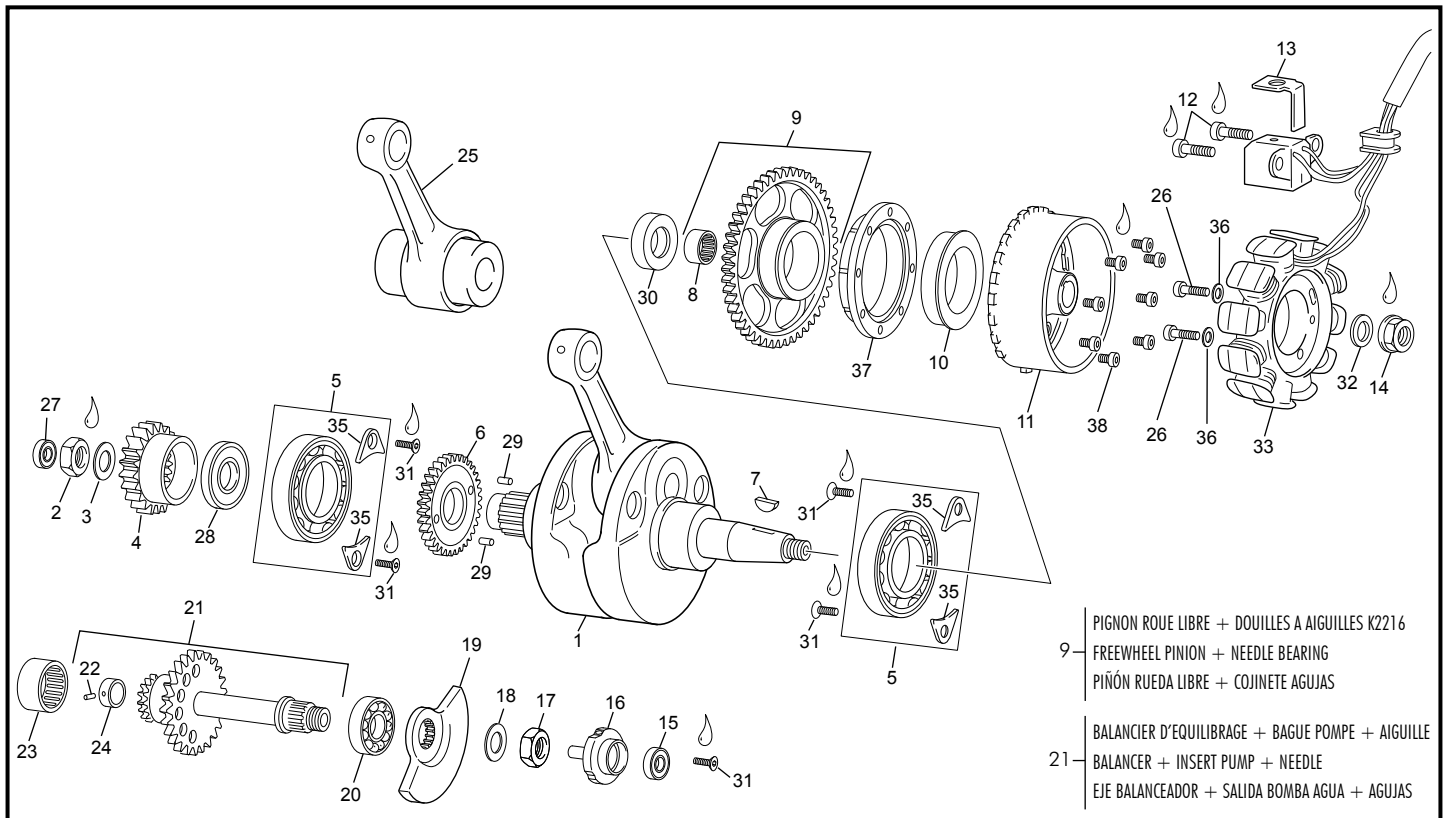
*Sherco se réserve les droits de modification des références, merci de contrôler sur le portail Sherconetwork avant toute commande. - *Sherco reserves the right to make change on the references, please check on your Sherconetwork portal before ordering.
 *Sherco se reserva el derecho para hacer modificaciones sobre las referencias. Por favor, verifica en el Sherconetwork antes de hacer un pedido.

Groupe carters / Crankcase assembly / Grupo carters



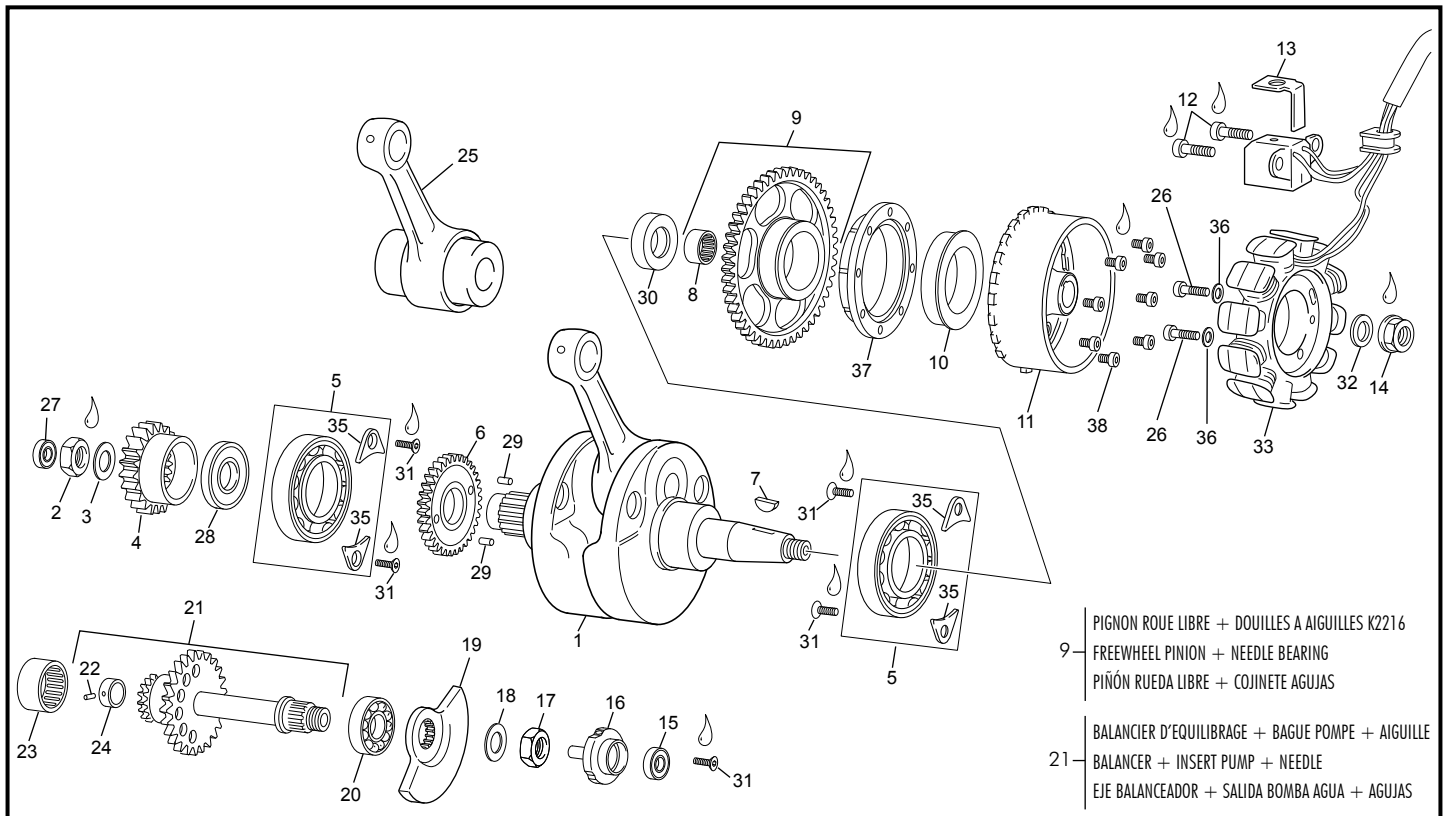
POS.	250 SEF-R RACING	300 SEF-R RACING	FRANÇAIS	ENGLISH	ESPAÑOL
69	1661	1661	RONDELLE ALU 10 X 14 X 1.5 END 250	WASHER ALU 10 X 14 X 1.5 END 250	ARENDELLA ALU 10 X 14 X 1.5 END 250
70	0951	0951	RONDELLE JOINT ALU 14 X 20 X 1.5 250 END	WASHER ALU 14 X 20 X 1.5 250 END	ARANDELA ALUMINIO 14 X 20 X 1.5 250 END
71	0949	0949	PISTON CLAPET DE DECHARGE 250 END	OIL PISTON REGULATOR 250 END	PISTON CLAPET DE DECHARGE 250 END
72	0546	0546	VIS TH EP 6 X 20	SREW TH EP 6 X 20	TORNILLO TH EP 6 X 20
73	4089	4089	GICLEUR D HUILE VILO 0.8 250 END	CRANKSHAFT JET OIL 0.8 250 END 12	CHICLE SIGUENAL 0.8 250 END 12
74	6133	6133	DURITE RENIFLEUR BALANCIER POLYO END L0.985	OIL BREATHING HOUSEL BALANCE SHAFT L. 0.985	TUBO VENTILACION POLYO L.0985
75	5016	5016	GROUPE CARTERS CENTRAUX 250 EVO 105 SEF COMPLETS	CRANKCASE SET 250 EVO SEF PREASSEMBLY	JUEGO CARTERS CENTRALES 250 EVO SEF COMPLETO
76	5109	5109	KIT JOINT BAS MOTEUR 250/300 4T END	KIT GASKET BOTTOM ENGINE 250/300 4T END	KIT JUNTA MOTOR PARTE INFERIOR 250/300 4T END
77	6071	6071	JOINT LEVRE 12 X 24 X 4.5 BAL PRESSION	SEAL RING 12 X 24 X 4.5 BAL PRESSION	RETEN 12 X 24 X 4.5 BAL PRESSION

Villebrequin assemble / Crankshaft assembly / Cigüeñal biela

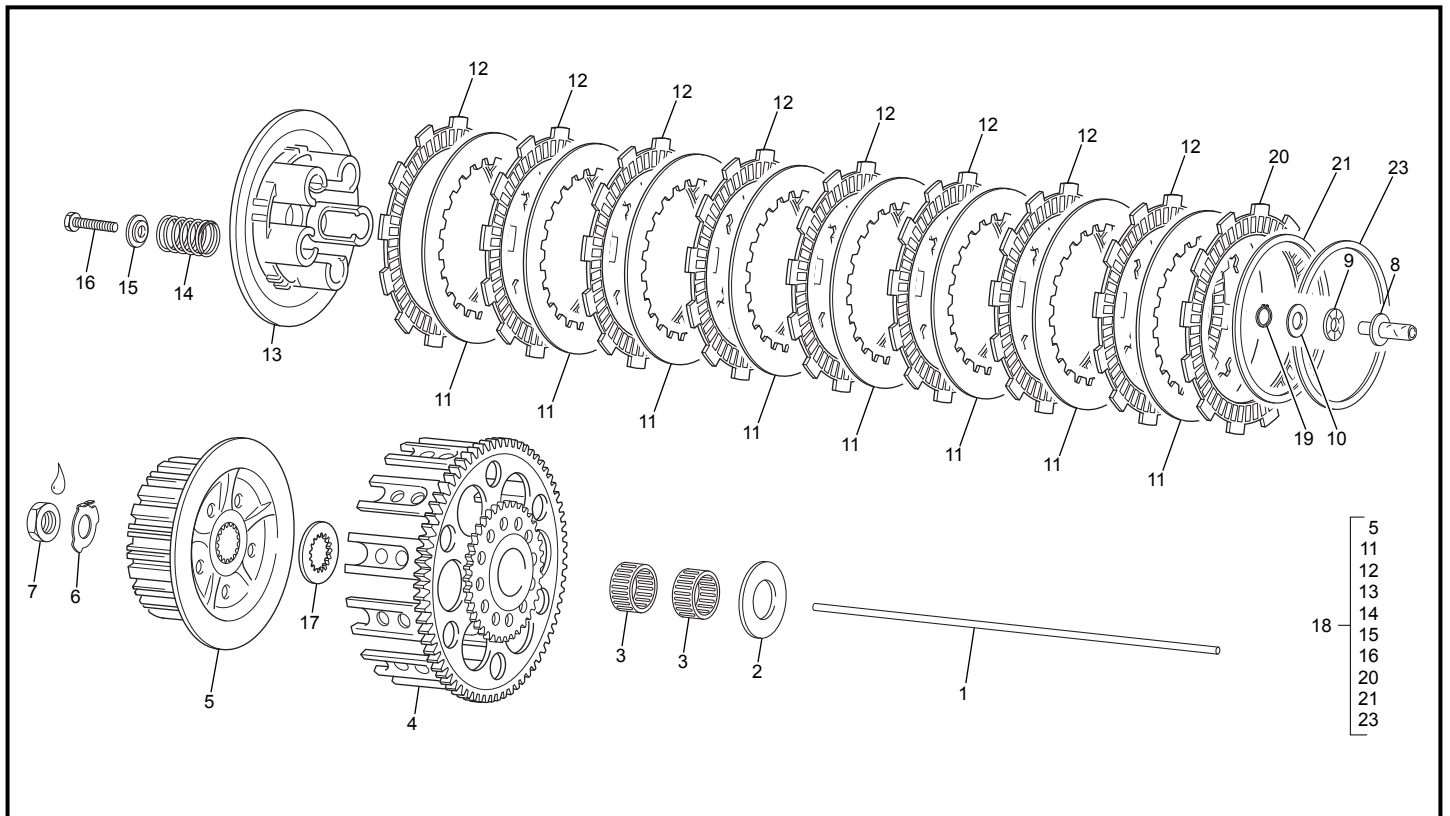


POS.	250 SEF-R RACING	300 SEF-R RACING	FRANÇAIS	ENGLISH	ESPAÑOL
1	7558	6991	VILEBREQUIN ASSEMBLE 250 SEF 52.2 LIGHT	CRANKSHAFT ASSY 250 SEF 52.2 LIGHT	CIGÜENAL COMPLETO 250 SEF 52.2 LIGHT
2	0051	0051	ECROU SPECIAL M20 X 1 END 450	SPECIAL SREW M20 X 1 END	TUERCA ESPECIAL M20 X 1 END
3	0050	0050	RONDELLE CONIQUE 20/21/32/1.2 BN1225	WASHER CONIQUE 20/21/32/1.2 BN1225	ARANDELA CONICA 20/21/32/1.2 BN1225
4	0976	0976	PIGNON PRIMAIRE Z 21 250 END	PRIMARRAD Z21 250 END	PINON PRIMARIA Z21 250 END
5	2950	2950	ROULEMENT ROULEAUX NJ206 EPC/C3 HVA624	ROLLER BEARING NJ206EPC/C3 HVA624	COJINETE ROLO NJ206 EPC/C3 HVA624
6	0852	0852	PIGNON Z25 DE BALANCIER 250 END	BALANCE GEAR Z25 250 END	PINON EQUILIBRA Z25 250 END
7	0055	0055	CLAVETTE DEMI LUNE 3X5 13 DIN 6888	WOODDURFF 3X5 13 DIN 6888	CHAVETA MEDIA LUNA 3X5 X13 DIN 6888
8	0290	0290	DOUILLE AIGUILLE HK 2216	NEEDLE BEARING HK 2216	CASQUILLO AGUJAS HK 2216
9	7973	7973	PIGNON ROUE LIBRE Z49 250 SEF LIGHT	STARTERGEAR Z49 SEF LIGHT	PIGNON POST MARCHA Z49 250 SEF LIGHT
10	3925	3925	ROUE LIBRE MCD70816R 250 END EVO	FREE WHEEL MCD70816R 250 END EVO	CORONA LIBRE MCD70816R 250 END EVO
11	4667	4667	ROTOR ALLUMAGE END 250/300 CC SEEC	ROTOR IGNITION END 250/300 CC SEEC	ROTOR ENCENDIDO END 250/300 CC SEEC
12	2990	2990	VIS CHC M5x12 ZI PRE IMPREGNEE FAIBLE	SCREW CHC M5x12 ZI	TORNILLO CHC M5X12 ZI
13	0964	0964	PLAQUE MAINTIEN FAISCEAU ALLUMAGE	FIXATION HARNESS PLATE 250 END	PLACA FIJACION HAZ 250 END
14	1405	1405	ECROU SPECIAL M12 X 1 250/450	NUT M12 X 1 250/450	TUERCA M12 X 1 250/450
15	0660	0660	JOINT LEVRE DOUBLE 14X24X6 NITRILE L METAL	SEAL 14X24X6 NITRILE DOUBLE L METAL	RETEN 14X24X6 NITRILE DOUBLE L METAL
16	7025	7025	CENTRIFUGEUR 250/300 SEF EVO	CENTRIFUGAL WHEEL 250/300 SEF EVO	RUEDA CENTRIFUGA 250/300 SEF EVO
17	0861	0861	ECROU M14/100 DE MASSE D EQUILIBRAGE 250 END	ECROU M14/100 DE MASSE D EQUILIBRAGE 250 END	ECROU M14/100 DE MASSE D EQUILIBRAGE 250 END
18	0887	0887	RONDELLE CONIQUE 14.2 X 28 X 1.5 BN1225 250 END	WASHER 14.2 X 28 X 1.5 250 END	ARANDELA CONICA 14.2 X28X1.5 BN1225 250 END
19	0851	0851	MASSE EQUILIBRAGE 250 END	BALANCE WEIGHT 250 END	MASA EQUILIBRA 250 END
20	0870	0870	ROULEMENT DE BALANCIER 6203 C3 250 END	BALL BEARING BALANCER 6203 C3 250 END	COJINETE EJE EQUILIBRADO 6203 C3 250 END
21	3222	3222	AXE BALANCIER 250 END EVO	BALANCE SHAFT ASSY 250 END	EJE EQUILIBRA 250 END
22	0110	0110	AIGUILLE 3X15.8	NEEDL 3X15.8	AGUJA 3X15.8
23	0871	0871	BAGUE AIGUILLE R NA 2RS 4905 250 END	NEEDLE BEARING R NA 2RS 4905 250 END	CASQUILLO DE AGUJA R NA 2RS 4905 250 END
24	0853	0853	BAGUE ENTRAINEMENT POMPE A EAU 250 END	WATER PUMP RING 250 END	ANILLO BOMBA DE AGUA 250 END
25	7071	7071	KIT BIELLE 250 END VIPERE	CONNECTING ROD KIT 250 END VIPER HEAD	KIT BIELA 250 END VIPER
26	1029	1029	VIS CHC M5 X 20 PRE IMPREGNEE MOYEN	SCREW M5 X 20	TORNILLO M5 X 20
27	0891	0891	JOINT LEVRE 8 X 18 X 5 VITON 250 END	SEAL RING 8 X 18 X 5 VITON 250 END	RETEN BOMBA 8 X 5 VITON 250 END
28	0873	0873	JOINT LEVRE SC 36 X 54 X 7.5 250 END	SEAL RING SC 36 X 54 X 7.5 250 END	RETEN BOMBA 36 X 54 X 7.5 250 END
29	0864	0864	AIGUILLE 5 X 10 250 END	NEEDLE 5 X 10 250 END	AGUJA 5 X 10 250 END
30	6221	6221	ENTRETOISE ROUE LIBRE 250/300 SEF EVO	FREE WHEEL SPACER 250/300 SEF EVO	CASQUILLO RUEDA LIBRE 250/300 SEF EVO
31	0872	0872	VIS FHC M5 X 10 DIN 7991 PRE IMPREGNEE FAIBLE	SCREW FHC M5 X 10 250 END PRE IMPREGNEE FAIBLE	TORNILLO FHC M5 X10 250 END PRE IMPREGNEE FAIBLE
32	1963	1963	RONDELLE CONIQUE 12.2 X 23 X 1	WASHER CONIQUE 12.2 X 23 X 1	ARANDELA CONIQUE 12.2 X 23 X 1
33	4668	4668	STATOR ALLUMAGE 250/300/450 4ST	STATOR IGNITION 250/300/450 4ST	STATOR ENCENDIDO 250/300/450 4ST

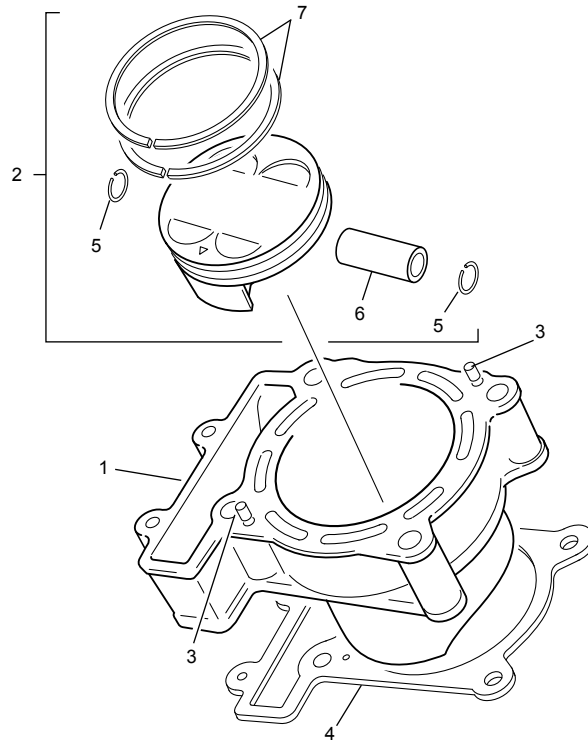
Villebrequin assemble / Crankshaft assembly / Cigüeñal biela



POS.	250 SEF-R RACING	300 SEF-R RACING	FRANÇAIS	ENGLISH	ESPAÑOL
35	3942	3942	PLAQUE ROULEMENT END 455	BEARING PLATE END 455	BLOQUEADOR RODAMIENTO END 455
36	4751	4751	RONDELLE SCHNORR M5 ZI	RONDELLE SCHNORR M5 ZI	RONDELLE SCHNORR M5 ZI
37	4382	4382	CLOCHE DE ROUE LIBRE TSUBAKI END 250/300	FREEWHEEL HOLDER TSUBAKI END 250/300	CAMPANA RUEDA LIBRE TSUBAKI END 250/300
38	0600	0600	VIS CHC M5 X 8 10.9 Z N PRE IMPREGNEE MOYEN	SCREW CHC M5 X 8 10.9 ZN PRE IMPREGNEE MOYEN	TORNILLO M5 X 8 10.9 Z N DIN 912 PRE IMPREGNEE MOYEN

Embrayage / Clutch / Embrague


POS.	250 SEF-R RACING	300 SEF-R RACING	FRANÇAIS	ENGLISH	ESPAÑOL
1	0982	0982	TIGE D EMBRAYAGE 250 END	CLUTCH AXEL 250 END	VARILLA EMBRAGUE 250 END
2	0990	0990	RONDELLE DE CALLAGE 22.2/40/1.4	WASHER 22.2X 40 X 1.4	ARANDELA 22.2 X 40 X 1.4
3	0992	0992	CAGE AIGUILLE 22X26X10 250 END	NEEDLE BEARING 22X26X10 250 END	COJINETE AGUJAS 22X26X10 250 END
4	5669	5669	CLOCHE D EMBRAYAGE RACING 250 END	CLUTCH OUTER ASSY Z48 250 END	CAMPANA EMBRAGUE PINON BOMBA ACEITE Z48 250 END
5	3290	3290	NOIX D EMBRAYAGE 250/300 END 2011	BOSS CLUTCH 250 END 2011	MAZA EMBRAGUE 250 END 2011
6	4876	4876	RONDELLE FREIN EMBRAYAGE 250/300 4T	BRAKE CLUTCH WASHER 250/300 4T	ARANDELA FRENO EMBRAGUE 250/300 4T
7	0994	0994	ECROU M18 X 100	NUT M18 X 100	TUERCA M 18 X 100
8	0983	0983	BUTEE EMBRAYAGE 250 END	CLUTCH RELEASE 250 END	PULSADOR AXIAL 250 END
9	0997	0997	BUTEE AIGUILLE AXK 821 250 END	NEEDLE THRUST BEARING AXK 821 250 END	CORONA COJINETE ABUJAS AXK 821 250 END
10	0998	0998	RONDELLE INA 8 X 21 X 1	WASHER 8 X 21 X 1	ARANDELA 8 X 21 X 1
11	0985	0985	DISQUE METAL 250 END	PLATE CLUTCH 250 END	DISCO EMBRAGUE METALICO 250 END
12	4923	4923	DISQUE GARNI 250/300 END EVO	FRICTION CLUTCH DISK 250/300 END EVO	DISCO EMBRAGUE FORRADO 250/300 END EVO
13	0987	0987	PLATEAU PRESSION 250 END	PLATE PRESSURE 250 END	PLATO DE PRESION 250 END
14	5096	5096	RESSORT D' EMBRAYAGE 250/300 EVO END	CLUTCH SPRING 250/300 EVO END	MUELLE EMBRAGUE 250/300 EVO END
15	3293	3293	RONDELLE 6 SPECIALE	SPECIAL WASHER 6	ARANDELA 6 ESPECIAL
16	0970	0970	VIS TH EP 6 X 25	SCREW TH EP M6 X 25	TORNILLO TH EP M6 X 25
17	0991	0991	RONDELLE BUTEE CRENELEE 250 END	SPACER WASHER 250 END	ARANDELA CRENELEE 250 END
18	0854	0854	EMBRAYAGE COMPLET 250 END	CLUTCH ASSY 250 END	EMBRAGUE COMPLETO 250 END
19	0080	0080	SEGMENT D' ARRET E 8	REATAINING RING E 8	SEGER E 8
20	3291	3291	DISQUE GARNI SPECIAL 250/300 END	SPECIAL FRICTION CLUTCH DISK 250 END	DISCO EMBRAGUE FORRADO ESPECIAL 250 END
21	3292	3292	DISQUE METAL RESSORT 250/300 END	JUDDER SPRING 250/300 END	DISCO EMBRAGUE METALICO RESORTE 250/300 END
23	3387	3387	RONDELLE D APPUI POUR DISQUE RESSORT 250/300 END	SEAT, JUDDER SPRING 250/300 END	ARANDELA ASIENTO PARA DISCO MUELLE 250/300 END

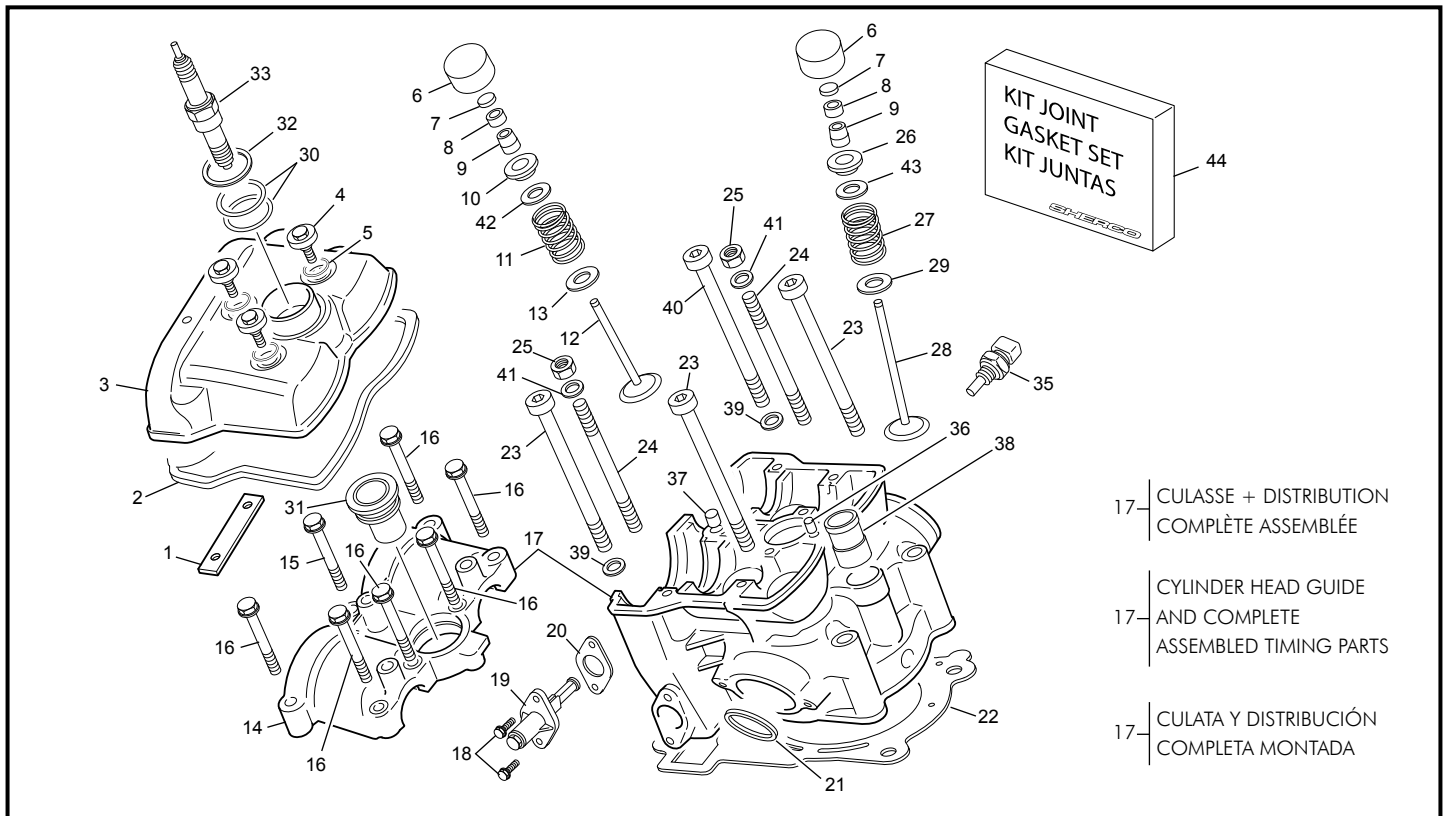


6990 (Ø 84) [0850
2337
2338
7072

0845 (Ø 78) [0847
0848
7072
0850

POS.	250 SEF-R RACING	300 SEF-R RACING	FRANÇAIS	ENGLISH	ESPAÑOL
1	7546	6224	CYLINDRE 250 SEF 78 MM EVO	CYLINDER 250 END 78 MM EVO	CILINDRO 250 END 78 MM EVO
2	0845	5085	PISTON COMPLET 78 250 END TAILLE A	PISTON SET 78 END 250 SIZE A	PISTON JUEGO 78 END 250 TAMAÑO A
3	0864	0864	AIGUILLE 5 X 10 250 END	NEEDLE 5 X 10 250 END	AGUJA 5 X 10 250 END
4	3017	3017	JOINT D EMBASE 0.3 250/300 SEF	CYLINDER GASKET 0.3 250/300 SEF	JUNTA CILINDRO 0.3 250/300 SEF
4	4968	4968	JOINT D EMBASE 0.4 250/300 END	CYLINDER GASKET 0.4 250/300 END	JUNTA CILINDRO 0.4 250/300 END
5	0850	0850	CIRCLIPS 16 mm 250 END	CIRCLIPS 16 mm 250 END	CIRCLIPS 16 mm 250 END
6	7072	7072	AXE DE PISTON 300 SEF EVO	PISTON PIN 300 SEF EVO	BULON PISTON 300 SEF EVO
7	0848	8027	SEGMENT PISTON 250 END JEU	OIL RING PISTON 250 END SET	ARO PISTON 250 END JUEGO
8	0848	8027	SEGMENT PISTON 250 END JEU	OIL RING PISTON 250 END SET	ARO PISTON 250 END JUEGO

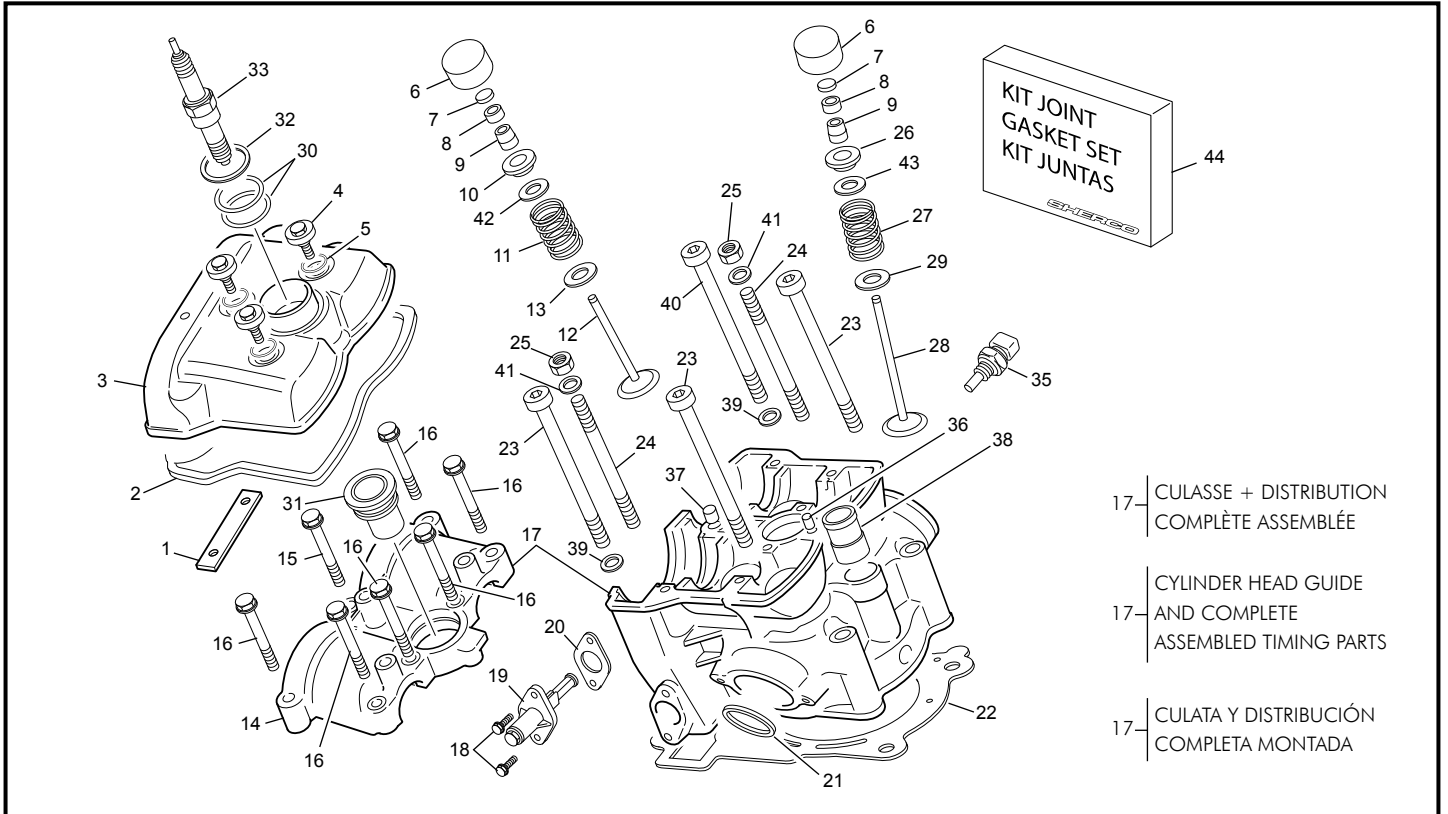
Culasse / Cylinder head / Culata



POS.	250 SEF-R RACING	300 SEF-R RACING	FRANÇAIS	ENGLISH	ESPAÑOL
1	1585	1585	PATIN COUVRE CULASSE 250 END	GUIDE CYLIN.HEAD COVER 250 END	GUIA TAPON CULATA 250 END
2	0902	0902	JOINT DE COUVRE CULASSE 250 END	ROCKER ARM COVER GASKET 250 END	JUNTA TAPA BALANCING 250 END
3	8191	8191	COUVERCLE CULASSE 250 END MANGANESE	CYLINDER HEAD COVER 250 END MANGANESE	TAPA CULATA 250 END MANGANESE
4	4758	4758	VIS COUVRE CULASSE M6 X 10 250 END	SCREW TH EP M6 X 10 SPECIAL 250 END	TORNILLO TH EP M6 X 10 SPE. 250 END
5	0900	0900	JOINT TORIQUE 10.5X2.7 VIS COUVRE CULASSE 250 E	SCREW ROCKER ARM COVER O-RING 250 END	JUNTO DE TORNILLO TAPA BALANCING 250 END
6	0910	0910	POUSSOIR DIAMETRE 24 250 END	TAPPETS D 24 250 END	BOTON D24 250 END
7	3469	3469	PASTILLE DE REGLAGE 1.20 SOUPAPE END 250	ADJUSTING VALVE PADS 1.20 END 250	PASTILLA REGLAJE 1.20 VALVULA END 250
7	3470	3470	PASTILLE DE REGLAGE 1.25 SOUPAPE END 250	ADJUSTING VALVE PADS 1.25 END 250	PASTILLA REGLAJE 1.25 VALVULA END 250
7	3471	3471	PASTILLE DE REGLAGE 1.30 SOUPAPE END 250	ADJUSTING VALVE PADS 1.30 END 250	PASTILLA REGLAJE 1.30 VALVULA END 250
7	3472	3472	PASTILLE DE REGLAGE 1.35 SOUPAPE END 250	ADJUSTING VALVE PADS 1.35 END 250	PASTILLA REGLAJE 1.35 VALVULA END 250
7	3473	3473	PASTILLE DE REGLAGE 1.40 SOUPAPE END 250	ADJUSTING VALVE PADS 1.40 END 250	PASTILLA REGLAJE 1.40 VALVULA END 250
7	3474	3474	PASTILLE DE REGLAGE 1.45 SOUPAPE END 250	ADJUSTING VALVE PADS 1.45 END 250	PASTILLA REGLAJE 1.45 VALVULA END 250
7	1596	1596	PASTILLE DE REGLAGE 1.50 SOUPAPE END 250	ADJUSTING VALVE PADS 1.50 END 250	PASTILLA REGLAJE 1.50 VALVULA END 250
7	1598	1598	PASTILLE DE REGLAGE 1.54 SOUPAPE END 250	ADJUSTING VALVE PADS 1.54 END 250	PASTILLA REGLAJE 1.54 VALVULA END 250
7	1600	1600	PASTILLE DE REGLAGE 1.58 SOUPAPE END 250	ADJUSTING VALVE PADS 1.58 END 250	PASTILLA REGLAJE 1.58 VALVULA END 250
7	1602	1602	PASTILLE DE REGLAGE 1.62 SOUPAPE END 250	ADJUSTING VALVE PADS 1.62 END 250	PASTILLA REGLAJE 1.62 VALVULA END 250
7	1604	1604	PASTILLE DE REGLAGE 1.66 SOUPAPE END 250	ADJUSTING VALVE PADS 1.66 END 250	PASTILLA REGLAJE 1.66 VALVULA END 250
7	1606	1606	PASTILLE DE REGLAGE 1.70 SOUPAPE END 250	ADJUSTING VALVE PADS 1.70 END 250	PASTILLA REGLAJE 1.70 VALVULA END 250
7	1608	1608	PASTILLE DE REGLAGE 1.74 SOUPAPE END 250	ADJUSTING VALVE PADS 1.74 END 250	PASTILLA REGLAJE 1.74 VALVULA END 250
7	1610	1610	PASTILLE DE REGLAGE 1.78 SOUPAPE END 250	ADJUSTING VALVE PADS 1.78 END 250	PASTILLA REGLAJE 1.78 VALVULA END 250
7	1612	1612	PASTILLE DE REGLAGE 1.82 SOUPAPE END 250	ADJUSTING VALVE PADS 1.82 END 250	PASTILLA REGLAJE 1.82 VALVULA END 250
7	1614	1614	PASTILLE DE REGLAGE 1.86 SOUPAPE END 250	ADJUSTING VALVE PADS 1.86 END 250	PASTILLA REGLAJE 1.86 VALVULA END 250
7	1616	1616	PASTILLE DE REGLAGE 1.90 SOUPAPE END 250	ADJUSTING VALVE PADS 1.90 END 250	PASTILLA REGLAJE 1.90 VALVULA END 250
7	1618	1618	PASTILLE DE REGLAGE 1.94 SOUPAPE END 250	ADJUSTING VALVE PADS 1.94 END 250	PASTILLA REGLAJE 1.94 VALVULA END 250
7	1620	1620	PASTILLE DE REGLAGE 1.98 SOUPAPE END 250	ADJUSTING VALVE PADS 1.98 END 250	PASTILLA REGLAJE 1.98 VALVULA END 250
7	1622	1622	PASTILLE DE REGLAGE 2.02 SOUPAPE END 250	ADJUSTING VALVE PADS 2.02 END 250	PASTILLA REGLAJE 2.02 VALVULA END 250
7	1624	1624	PASTILLE DE REGLAGE 2.06 SOUPAPE END 250	ADJUSTING VALVE PADS 2.06 END 250	PASTILLA REGLAJE 2.06 VALVULA END 250
7	1626	1626	PASTILLE DE REGLAGE 2.10 SOUPAPE END 250	ADJUSTING VALVE PADS 2.10 END 250	PASTILLA REGLAJE 2.10 VALVULA END 250
7	1628	1628	PASTILLE DE REGLAGE 2.14 SOUPAPE END 250	ADJUSTING VALVE PADS 2.14 END 250	PASTILLA REGLAJE 2.14 VALVULA END 250
7	1630	1630	PASTILLE DE REGLAGE 2.18 SOUPAPE END 250	ADJUSTING VALVE PADS 2.18 END 250	PASTILLA REGLAJE 2.18 VALVULA END 250
7	1632	1632	PASTILLE DE REGLAGE 2.22 SOUPAPE END 250	ADJUSTING VALVE PADS 2.22 END 250	PASTILLA REGLAJE 2.22 VALVULA END 250
7	1634	1634	PASTILLE DE REGLAGE 2.26 SOUPAPE END 250	ADJUSTING VALVE PADS 2.26 END 250	PASTILLA REGLAJE 2.26 VALVULA END 250
7	1636	1636	PASTILLE DE REGLAGE 2.30 SOUPAPE END 250	ADJUSTING VALVE PADS 2.30 END 250	PASTILLA REGLAJE 2.30 VALVULA END 250
7	1638	1638	PASTILLE DE REGLAGE 2.34 SOUPAPE END 250	ADJUSTING VALVE PADS 2.34 END 250	PASTILLA REGLAJE 2.34 VALVULA END 250

*Sherco se réserve les droits de modification des références, merci de contrôler sur le portail Sherconetwork avant toute commande. - *Sherco reserves the right to make change on the references, please check on your Sherconetwork portal before ordering.
*Sherco se reserva el derecho para hacer modificaciones sobre las referencias. Por favor, verifica en el Sherconetwork antes de hacer un pedido.

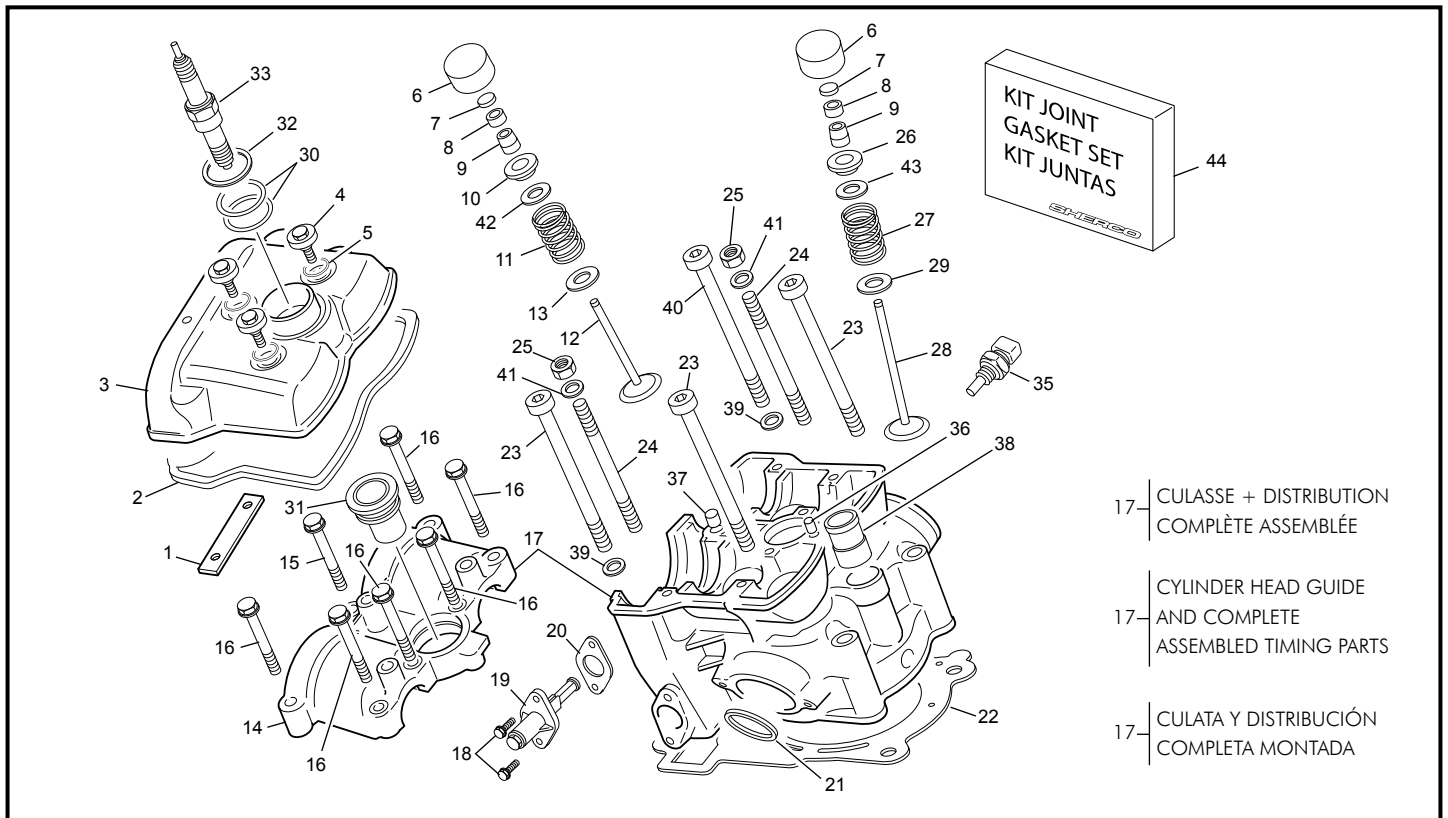
Culasse / Cylinder head / Culata



POS.	250 SEF-R RACING	300 SEF-R RACING	FRANÇAIS	ENGLISH	ESPAÑOL
7	1640	1640	PASTILLE DE REGLAGE 2.38 SOUPAPE END 250	ADJUSTING VALVE PADS 2.38 END 250	PASTILLA REGLAJE 2.38 VALVULA END 250
7	1641	1641	PASTILLE DE REGLAGE 2.40 SOUPAPE END 250	ADJUSTING VALVE PADS 2.40 END 250	PASTILLA REGLAJE 2.40 VALVULA END 250
7	1643	1643	PASTILLE DE REGLAGE 2.44 SOUPAPE END 250	ADJUSTING VALVE PADS 2.44 END 250	PASTILLA REGLAJE 2.44 VALVULA END 250
7	1645	1645	PASTILLE DE REGLAGE 2.48 SOUPAPE END 250	ADJUSTING VALVE PADS 2.48 END 250	PASTILLA REGLAJE 2.48 VALVULA END 250
7	1647	1647	PASTILLE DE REGLAGE 2.52 SOUPAPE END 250	ADJUSTING VALVE PADS 2.52 END 250	PASTILLA REGLAJE 2.52 VALVULA END 250
7	1649	1649	PASTILLE DE REGLAGE 2.56 SOUPAPE END 250	ADJUSTING VALVE PADS 2.56 END 250	PASTILLA REGLAJE 2.56 VALVULA END 250
7	1650	1650	PASTILLE DE REGLAGE 2.58 SOUPAPE END 250	ADJUSTING VALVE PADS 2.58 END 250	PASTILLA REGLAJE 2.58 VALVULA END 250
7	0911	0911	PASTILLE DE REGLAGE 2.60 250 END	VALVE SHIM 2.60 250 END	PASTILLAS REGLAJE VALVULA 2.60 END 250
8	0930	0930	DEMI CONE SOUPAPE END 250 UNITEE	HALF CONE VALVE END 250 UNITS	SEMICONO VALVULA END 250 UNIDAD
9	0934	0934	JOINT DE SOUPAPE 250 END	VALVES SEAL 250 END	RETEN VALVULA 250 END
10	3370	3370	COUPELLE RESSORT ECHAPPEMENT 2.5 / 3.0 END EVO	EXHAUST VALVE SPRING CAP 2.5 / 3.0 END EVO	ESCAPE SMBRERETE VALVULA 2.5 / 3.0 END EVO
11	3368	3368	RESSORT SOUPAPES ECHAPPEMENT EVO 250 END	EXHAUST VALVE SPRING SK 14-06-0243	MUELLE VALVULA ESCAPE SK 14-06-0243
12	5584	5584	SOUPAPE ECHAPPEMENT 250/300 SEF 26 MM	EXHAUST VALVES 250/ 300 SEF 26 MM	VALVULA ESCAPE 250/300 SEF 26 MM
13	1518	1518	SIEGE DE RESSORT ECHAPPEMENT 250 END	EXHAUST SPRINGSEAT 250 END	ARANDELLA MUELE VALVULA ESCAPE 250 END
14	0909	0909	CHAPEAU PALIER D ARBRES A CAMES BRUT 250 END	CAM COVER 250 END	TAPA CULATA ARBOL LAVAS 250 END
15	0548	0548	VIS TH EP 6 X 35	SCREW TH EP 6 X 35	TORNILLO TH EP 6 X35
16	0547	0547	VIS TH EP 6 X 30	SCREW TH EP 6 X 30	TORNILLO TH EP 6 X 30
17	8083	8084	CULASSE 250 SEF 2019 SAV	HEAD CYLINDER 250 SEF 2019 SPARE PART	CULATA 250 SEF 2019 REPUESTOS
18	0656	0656	VIS TH EP 6 X 16	SREW TH EP 6 X 16	TORNILLO TH EP 6 X 16
19	0921	0921	TENDEUR DE CHAINE 250 END	CHAIN TENSIONER 250 END	TENSOR DE CADENA 250 END
20	0922	0922	JOINT DE TENDEUR 250 END	TENSIONER GASKET 250 END	JUNTO TENSOR 250 END
21	1766	1766	JOINT ECHAPPEMENT END 250	EXHAUST GASKET END 250	JUNTA ESCAPE END 250
22	3114	3016	JOINT DE CULASSE 3 FEUILLES 250 END 78 MM	CYLINDER HEAD GASKET 3 LAYER 250 END 78 MM	JUNTA CULATA 250 END EVO 78 MM
23	0896	0896	VIS M10 X 115 250 END	SCREW M10 X 115 250 END	TORNILLO M10 X 115 250 END
24	7951	0898	GOUJON CYLINDRE 250 SEF L80.5	CYLINDER PIN 250 END I 80.5	CILINDRO TORNILLO 250 END I 80.5
25	C440	C440	ECROU BORGNE M6	SCREW BORGNE M6	TUERCA BORGNE M6
26	0929	0929	COUPELLE RESSORT ADMISSION 250 END	INTAKE VALVE SPRING CAP 250 END	ADMISION SMBRERETE VALVULA 250 END
27	0931	0931	RESSORT SOUPAPES ADMISSION 250 END	INTAKE SPRING VALVES 250 END	MUELLE VALVULA ADMISION 250 END
28	5586	5586	SOUPAPE ADMISSION 250 END 31MM	INTAKE VALVES 250 END 31 MM	VALVULA ADMISION 250 END 31 MM
29	0933	0933	SIEGE DE RESSORT ADMISSION 250 END	INTAKE SPRINGSEAT 250 END	ARANDELLA MUELE VALVULA 250 END
30	0969	0969	JOINT TORIQUE 28 X 2 NBR 250 END	O-RING 28 X 2 NBR 250 END	ANILLO O 28 X 2 NBR 250 END
31	0895	0895	TUBE PUIITS DE BOUGIE 250 END	SPARK PLUG TUBE 250 END	TUBO DE BUJIA 250 END
32	0899	0899	JOINT DE PUIITS DE BOUGIE 250 END	SPARK PLUG TUBE O-RING 250 END	JUNTO TUBO BUJIA 250 END
33	0431	0431	BOUGIE CR8EK/U24ETR END 450	SPARK PLUG CR8EK/U24ETR END 450	BUJIA NGK CR8EK/U24ETR END 450

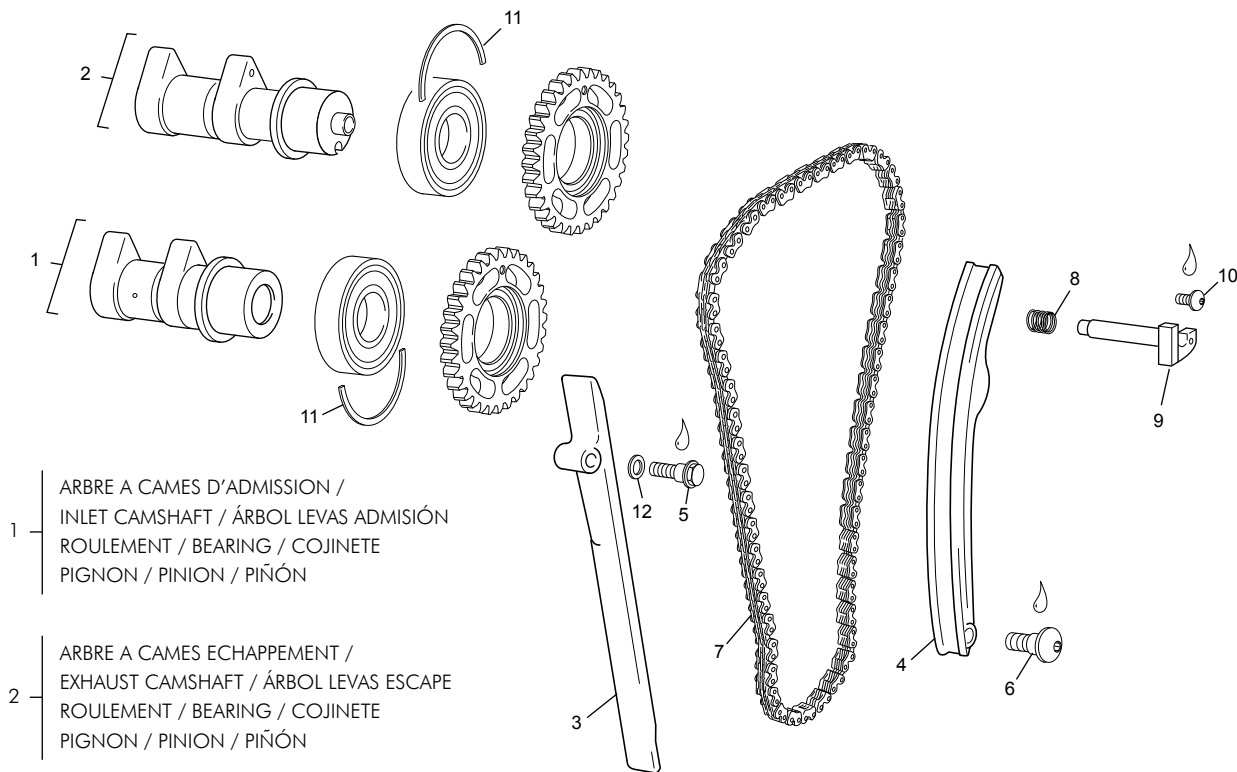
*Sherco se réserve les droits de modification des références, merci de contrôler sur le portail Sherconetwork avant toute commande. - *Sherco reserves the right to make change on the references, please check on your Sherconetwork portal before ordering.
 *Sherco se reserva el derecho para hacer modificaciones sobre las referencias. Por favor, verifica en el Sherconetwork antes de hacer un pedido.

Culasse / Cylinder head / Culata



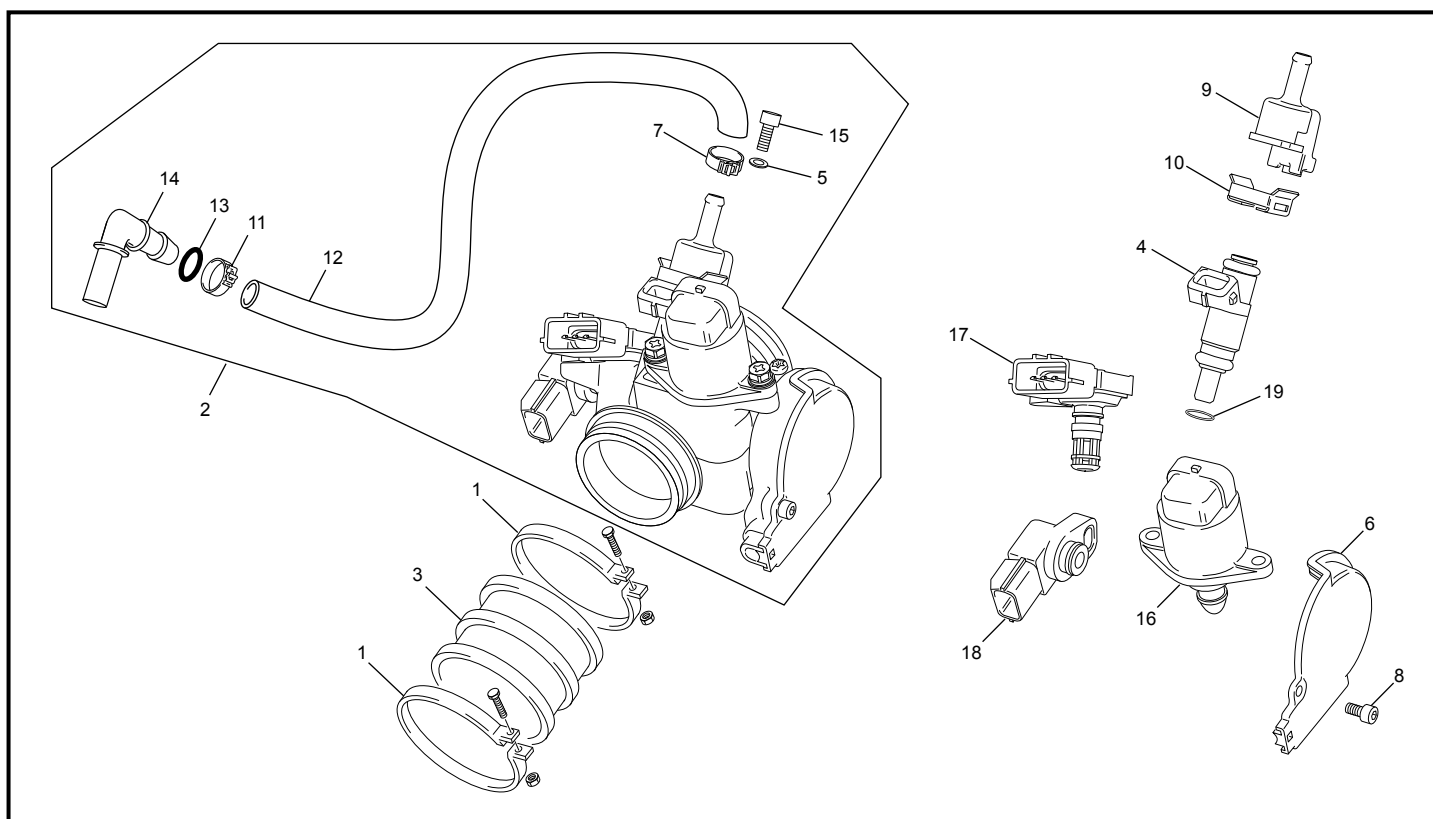
POS.	250 SEF-R RACING	300 SEF-R RACING	FRANÇAIS	ENGLISH	ESPAÑOL
35	0380	0380	CAPTEUR EAU END	SENSOR WATER END	SENSOR AGUA END
36	0864	0864	AIGUILLE 5 X 10 250 END	NEEDLE 5 X 10 250 END	AGUJA 5 X 10 250 END
37	0008	0008	DOUILLES CENTRAGE 8X6X11	SPACER CENTRAGE 8X6X11	CENTRADOR 8X6X11
38	0464	0464	RACCORD CYLINDRE/DURITE END	CILENDER WATER CONEXION END	CONECTOR TUBO AGUA CILINDRO END
39	1774	1774	BAGUE D' APPUI VIS CULASSE 250 END	SPACER SCREW CYLINDER HEAD 250 END	CASQUILLO TORNILLO CULATA 250 END
40	0897	0897	VIS M10 X 125 250 END	SCREW M10 X 125 250 END	TORNILLO M10 X 125 250 END
41	2390	2390	RONDELLE CUIVRE 6 X 12 X 1.5 UNITAIRE	WASHER COPPER 6 X 12 X1.5 UNITARY	ARANDELA COBRE 6 X 12 X 1.5 UNIDAD
42	4315	4315	RONDELLE RESSORT ECH 250 END	EXHAUST WASHER SPRING 250 END	ARANDELA DE RESORTE ECAP 250 END 0.3MM
43	4316	4316	RONDELLE RESSORT ADM 250 END	INTAKE WASHER SPRING 250 END	ARANDELA DE RESORTE ADM 250 END 0.3MM
44	8019	5108	KIT JOINT HAUT MOTEUR 250 SEF 78 MM	KIT GASKET TOP ENGINE 250 SEF 78 MM	KIT JUNTA MOTOR PARTE SUPERIOR 250 SEF 78 MM

Distribution / Camshaft and drive assembly / Distribución

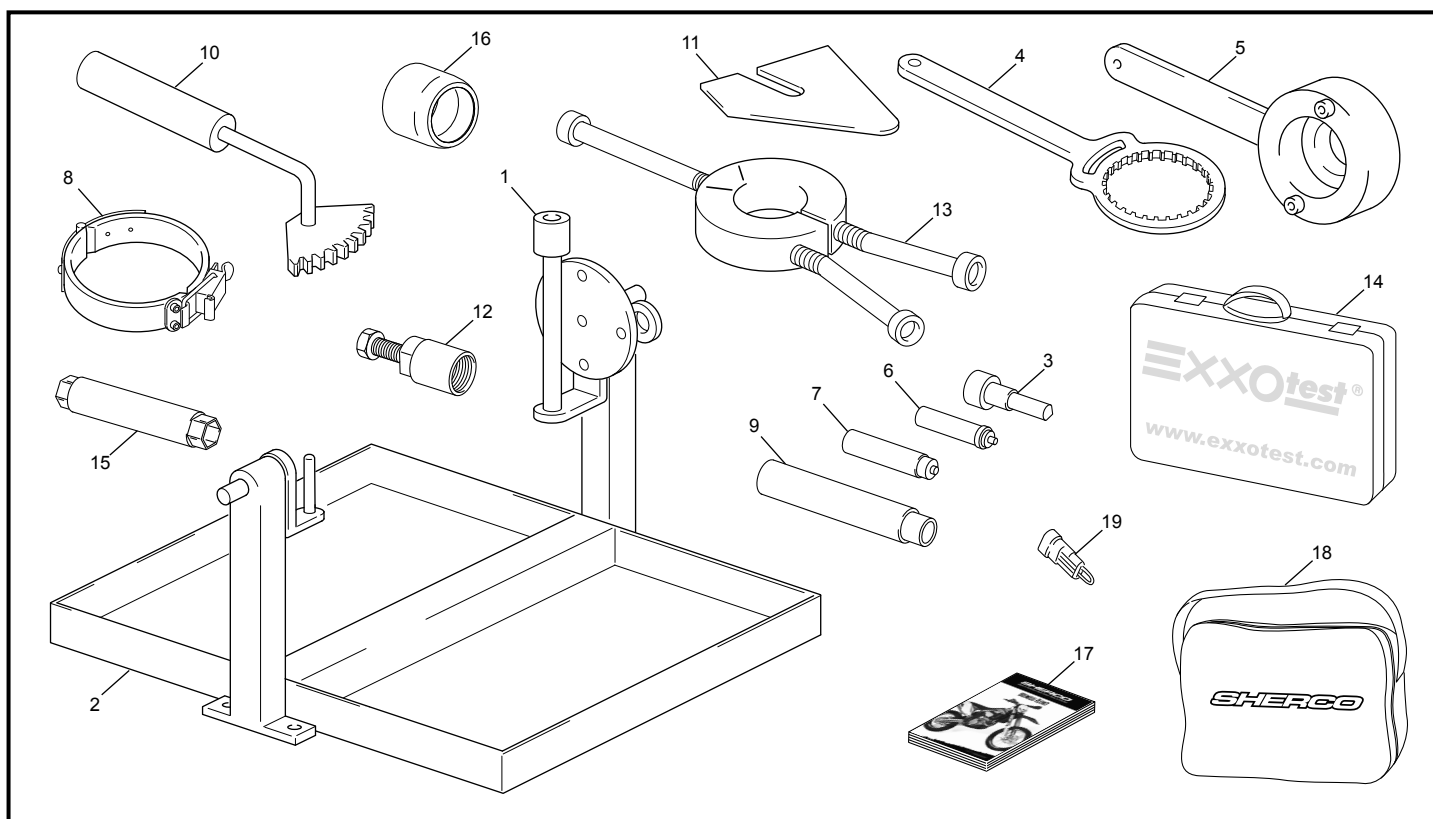


POS.	250 SEF-R RACING	300 SEF-R RACING	FRANÇAIS	ENGLISH	ESPAÑOL
1	8099	8097	ENSEMBLE ARBRE A CAMES ADMISSION SEF SAV	INTAKE CAMSHAFT SEF SPARE PARTS	ARBOL LEVAS ADMISION SEF RECAMBIO
2	8098	8100	ENSEMBLE ARBRE A CAMES ECHAPP SEF SAV	EXHAUST CAMSHAFT SEF SPARE PARTS	ARBOL LEVAS ESCAPE SEF RECAMBIO
3	0913	0913	GUIDE CHAINE 250 END	CHAIN GUIDE 250 END	GUIDA CADENA 250 END
4	0914	0914	PATIN TENDEUR DE CHAINE 250 END	GUIDE STOPPER 250 END	TOPE DE GUIA 250 END
5	0915	0915	VIS PATIN TH M8 250 END	SCREW TH M8 SPECIAL 250 END	TORNILLO TH M8 SPECIAL 250 END
6	0916	0916	VIS M6 PATIN TENDEUR 250 END	SCREW M6 SPECIAL 250 END	TORNILLO M6 SPECIAL 250 END
7	1892	1892	CHAINE DE DISTRIBUTION 104 MAILLONS	CHAIN OF DISTRIBUTION 104 LINKS ENDLESS	CADENA DE DISTRIBUTION 104 MAILLONS
8	1511	1511	RESSORT DECOMP. 250 END	DECOMPRESSOR SPRING 250 END	MUELE DECOMPRESSOR 250 END
9	1510	1510	DECOMPRESSEUR AUTOMATIQUE 250 END	DECOMPRESSOR AUTOMATIC 250 END	DECOMPRESSOR AUTOMATQUE 250 END
10	1687	1687	VIS BHC EPAULE M5 X 10	SCREW BHC M5 X 10	TORNILLO ULS CON VALONA M5 X 10
11	0926	0926	DEMI SEGMENT D ARRET 250 END	HALF SNAP RING 250 END	SEMI SEGER 250 END
12	0120	0120	RONDELLE CUIVRE 8 X 12 X 1	WASHER COPPER 8 X 12 X 1	ARANDELA COBRE 8 X 12 X 1

Corps injection / Injector body / Cuerpo inyección



POS.	250 SEF-R RACING	300 SEF-R RACING	FRANÇAIS	ENGLISH	ESPAÑOL
1	0595	0595	COLLIER KC060 MANCHON CORP INJ. END 450 40-60	COLLAR KC060 HOSE BODY INJ. END 450 40-60	BRIDA TOBERA KC060 CUERPO INY. END 450 40-60
2	7211	7211	CORP D` INJECTION END SYN 300 COMPLET EVO	INJECTION BOODY END SYN 300 COMPLET EVO	CORPO INJECTION END SYN 300 COMPLET EVO
3	4313	4313	MANCHON CULASSE/INJECTION END SYNERJECT	MANIFOLD CILINDER HEAD/INJECTION END SYNERJECT	TUBERA CULATA/INJECTION END SYNERJECT
4	3464	3464	INJECTEUR DK4	INJECTOR DK4	INJECTEUR DK4
5	4754	4754	RONDELLE M5 X 10	WASHER M5X10	ARANDELA M5X10
6	5102	5102	COUVERCLE CORP INJECTION END SYN	INJECTION COVER END SYN	TAPA CORPO INJECTION END SYN
7	5101	5101	COLLIER CLIC 12	COLLAR 12	ABRAZADERA 12
8	M286	M286	VIS BHC 4 X 10	SCREW BHC 4 X 10	TORNILLO 4 X 10 ULS
9	4427	4427	SUPPORT INJECTEUR DK4	CUP AND BRAKET INJECTOR DK4	SOPORTE INYECTOR DK4
10	4426	4426	CLIPS INJECTEUR DK4	CLIPS INJECTOR DK4	CLIPS INYECTOR DK4
11	H263	H263	COLLIER CLIC 66/125 13.5	COLLAR 66/125 13.5	ABRAZADERA 66/125 13.5
12	3487	3487	DURITE ALIMENTATION END	HOSE INJECTION/FUEL END	TUBO GASOLINA/INJECTION END
13	3547	3547	JOINT TORIQUE Ø6x1.5 NBR70	O RING Ø6x1.5 NBR70	TORICA Ø6x1.5 NBR70
14	3546	3546	RACCORD RAPIDE 90° POMPE BITRON END 2012	FAST FUEL CONEXION 90° PUMP BITRON END 2012	CONECTOR TUBO RAPIDO END 2012
15	2990	2990	VIS CHC M5x12 ZI PRE IMPREGNEE FAIBLE	SCREW CHC M5x12 ZI	TORILLO CHC M5x12 ZI
16	5103	5103	VANNE INJECTION END SYN	ACTUATOR MOTOR END SYN	MOTOR PASO A PASO END SYN
17	3465	3465	CAPTEUR TMAP 30	SENSOR TMAP 30	SENSOR TMAP 30
18	5104	5104	CAPTEUR TPS INJECTION END SYN	TPS SENSOR END SYN	CAPTADOR TPS END SYN
19	8398	8398	JOINT TORIQUE VITON INJECTEUR DK4	JOINT TORIQUE VITON INJECTEUR DK4	TORICA 22.5X2 VITON INJECTEUR DK4



POS.	250 SEF-R RACING	300 SEF-R RACING	FRANÇAIS	ENGLISH	ESPAÑOL
1	R455	R455	OUTIL SUPPORT MOTEUR	SUPPORT ENGINE TOOL	UTIL SOPORTE MOTOR
2	R481	R481	SERVANTE	CONTAINER	BANDEJA
3	1819	1819	VIS VILO PMH	DEAD PIONT SCREW TOOL	TORNILLO PUNTO MUERTO
4	1814	1814	OUTIL CLOCHE EMBRAYAGE END	CLUTCH TOOL	UTIL CAMPANA EMBRAGUE
5	1815	4753	OUTIL ALLUMAGE	TOOL IGNITION	UTIL ENCENDIDO
6	1822	1822	OUTIL ROULEMENT POMPE A EAU 250 END	WATER POMPE BEARING TOOL 250 END	UTIL RODAMENTO BOMBA DE AGUA 250 END
7	1968	1968	OUTIL SPIE POMPE A EAU END	WATER POMPE SEAL RING TOOL END	UTIL EJE BOMBA DE AGUA END
8	1816	1816	OUTIL SEGMENTS 250	RING TOOL 250	UTIL AROS 250
9	R450	R450	OUTIL VOYANT	OIL LEVEL CAUGE TOOL	UTIL VISOR
10	1817	1817	OUTIL BLOC PIGNON PRIMAIRE	PINION CLUTCH SHAFT TOOL	UTIL PINION PRIMARIO
11	1818	1818	OUTIL SUPPORT PISTON	SUPPORT PISTON TOOL	UTIL SOPORTE PISTON
12	R462	R462	EXTRACTEUR VOLANT	FLYING EXTRACTOR	EXTRACTOR VOLANTE
13	R464	R464	EXTRACTEUR ANNEAU INTERNE 450	RING EXTRACTOR	EXTRACTOR ANILLO INTERIOR
14	8561	8561	KIT OUTIL DIAGNOSTIC INJECTION SYNERJECT	TOOL DIAGNOSTIC INJECTION SYNERJECT KIT	KIT UTILAJE DIAGNOSTICO INY. SYNERJECT
15	3785	3785	TUBE CLEF BOUGIE 4T END 2012	SPARK KEY ADAPTATOR 4T END 2012	LLAVE BUJIA TUBO 4T END 2012
16	2069	2069	OUTIL SPIE SORTIE BOITE 250 END	OIL SEAL EXIT GEAR BOX TOOL 250 END	UTIL RETEN SALIDA CAMBIO 250 END
17	7774	7774	MANUEL DU PROPRIETAIRE SEF 250/300 2019	MANUEL USER SEF 250/300 2019	MANUAL PROPIETARIO SEF 250/300 2019
18	0726	0726	TROUSSE OUTILS	TOOLS	RIÑONERA HERRAMIENTAS
19	6267	6267	FAISCEAU SHUNT OUTIL DIAGNOSTIQUE KEY LESS	HARNES SHUNT DIAGNOSTIC TOOL KEY LESS	SHUNT HERRAMIENTA DIAGNOSTICA A KEY LESS



created by www.ciandisseny.com

2020

SHERCO
www.sherco.com

SHERCO
Motorcycles

