

SHERCO

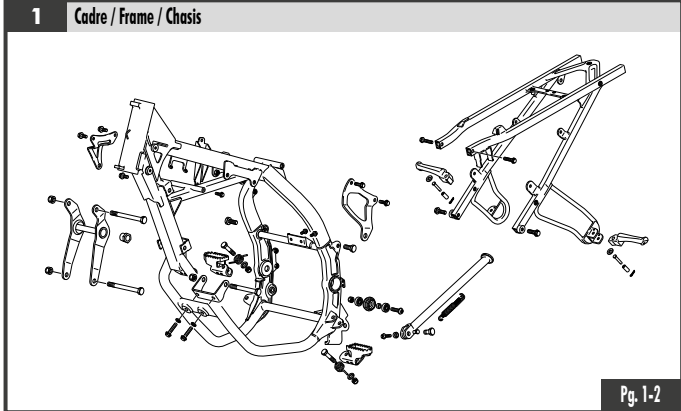


SPARE PARTS BOOK

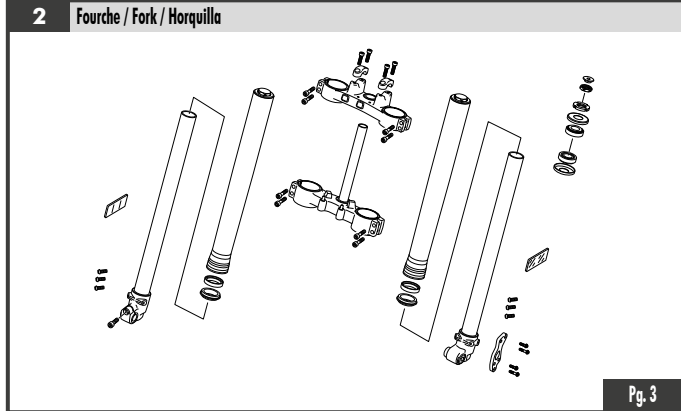
SPARE PARTS BOOK '23

125 HRD SM-SE FACTORY

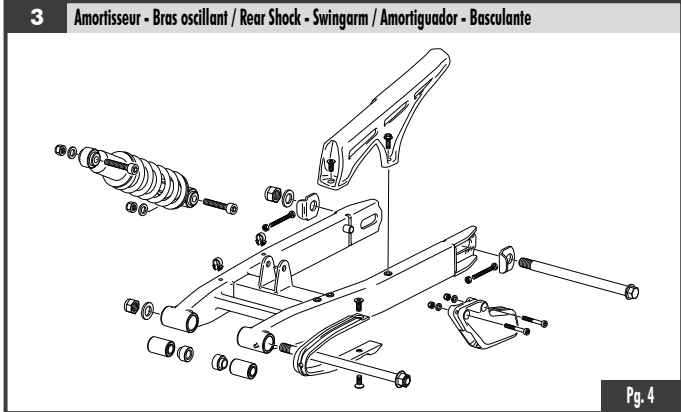
1 Cadre / Frame / Chasis



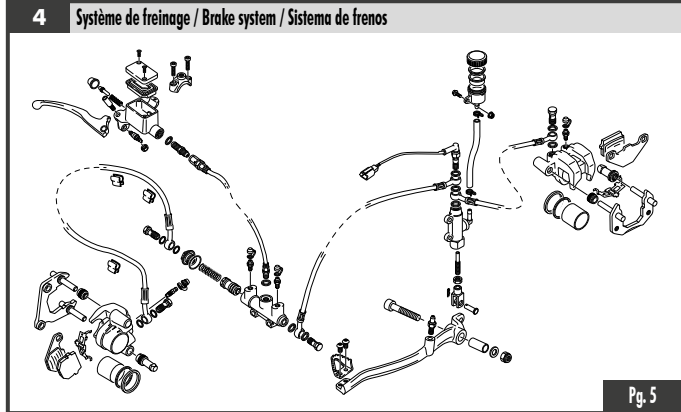
2 Fourche / Fork / Horquilla



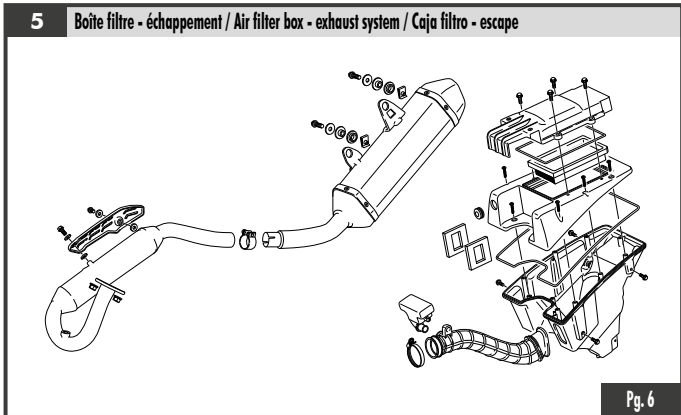
3 Amortisseur - Bras oscillant / Rear Shock - Swingarm / Amortiguador - Basculante



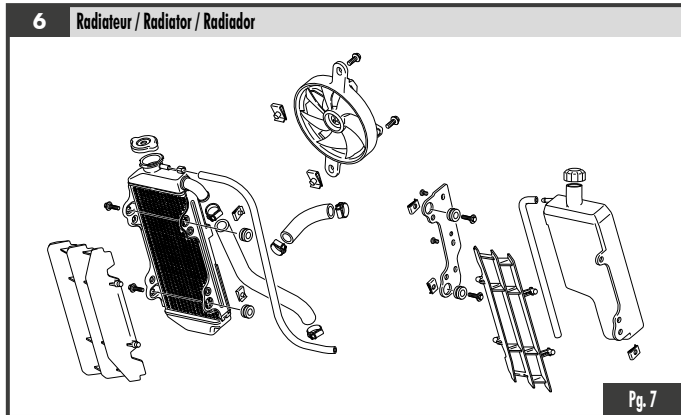
4 Système de freinage / Brake system / Sistema de frenos



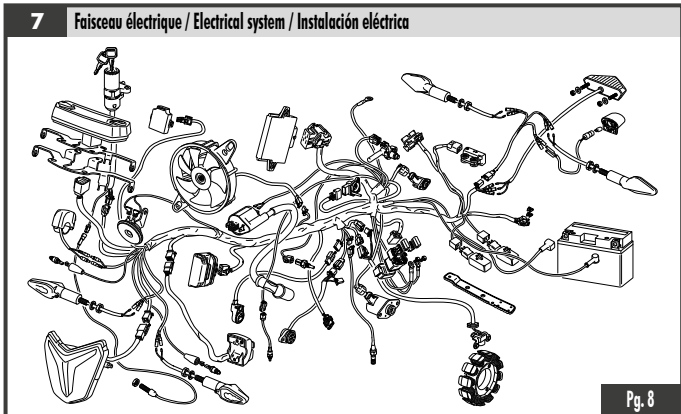
5 Boîte filtre - échappement / Air filter box - exhaust system / Caja filtro - escape



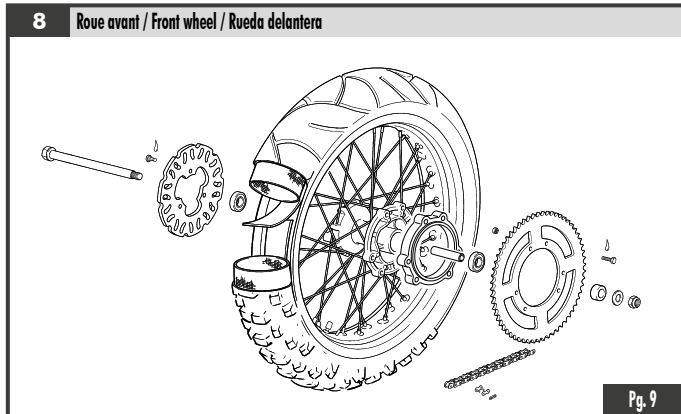
6 Radiateur / Radiator / Radiador



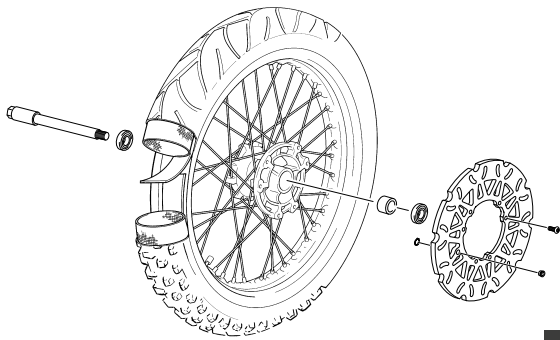
7 Faisceau électrique / Electrical system / Instalación eléctrica



8 Roue avant / Front wheel / Rueda delantera

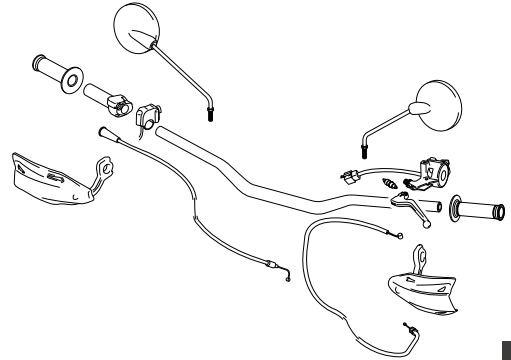


9 Roue arrière / Rear wheel / Rueda trasera



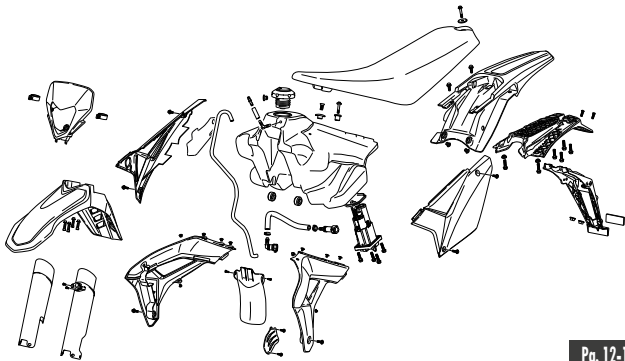
Pg. 10

10 Guidon / Handlebar / Manillar



Pg. 11

11 Plastiques / Plastics / Plásticos



Pg. 12-13

12 Adhésif / Sticker / Adhesivo - FACTORY



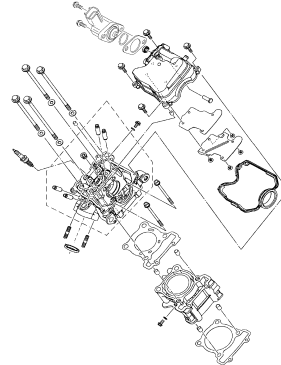
Pg. 14

13 Adhésif / Sticker / Adhesivo - BLACK MOON



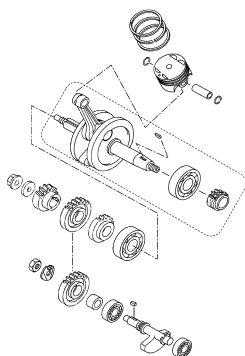
Pg. 15

14 Cylindre-Culasse / Cylinder-Cylinder head / Cilindro-Culata



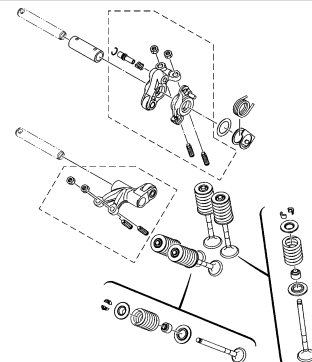
Pg. 16

15 Vilebrequin assemblé / Crankshaft assy / Cigüeñal



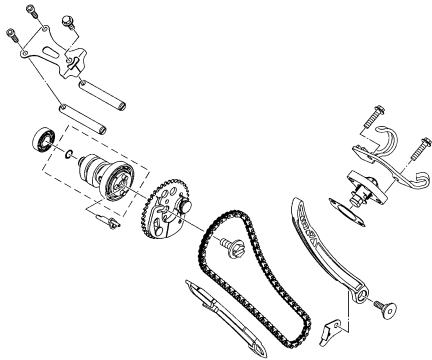
Pg. 17

16 Soupapes / Valves / Válvulas



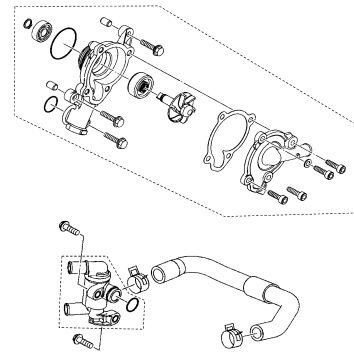
Pg. 18

17 Systeme distribution / Distribution system / Sistema de distribución



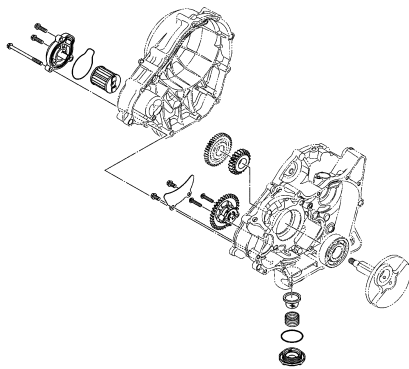
Pg. 19

18 Pompe à eau / Water pump / Bomba de agua



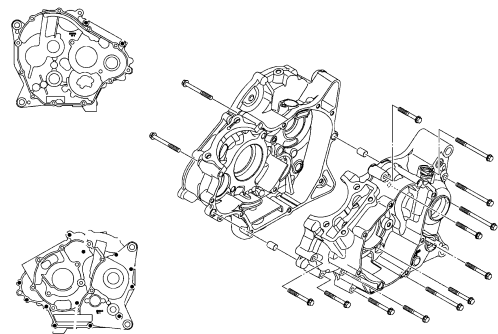
Pg. 20

19 Pompe à huile / Oil pump / Bomba de aceite



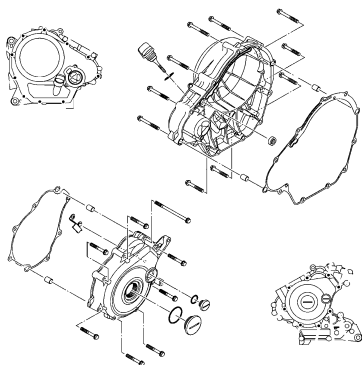
Pg. 21

20 Carters centraux / Central crankcase / Cártel central



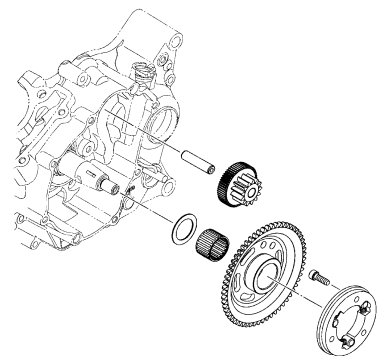
Pg. 22

21 Carters lateraux / Lateral crankcase / Cártel lateral



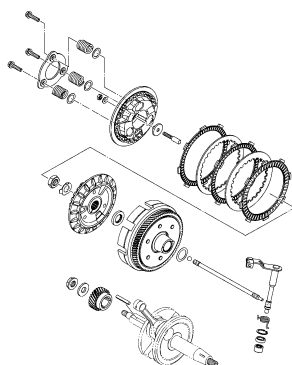
Pg. 23

22 Démarreur / Starter motor / Motor de arranque



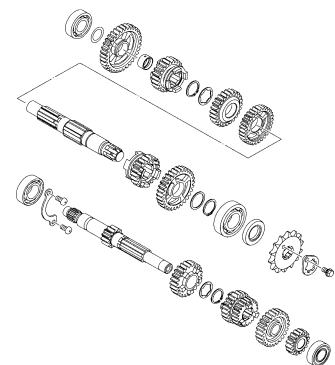
Pg. 24

23 Embayage / Clutch / Embrague



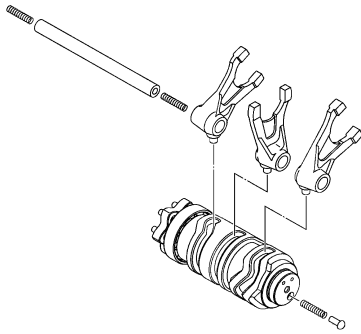
Pg. 25

24 Boîte de vitesse / Gear set / Cambio



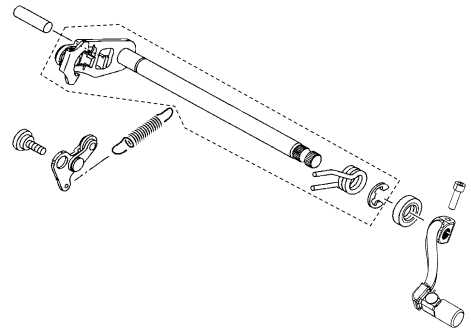
Pg. 26

25 Selection / Selector / Selector



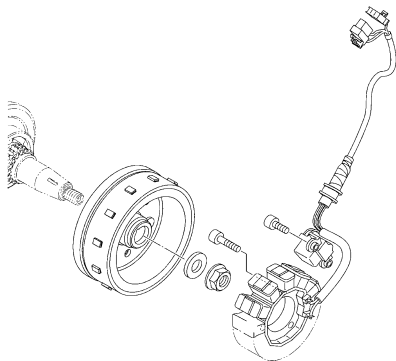
Pg. 27

26 Sélecteur / Gear selector group / Selector cambio



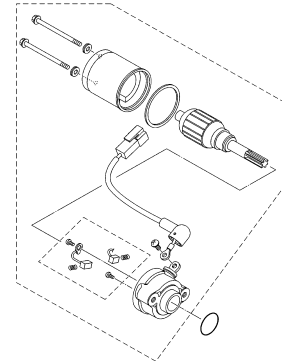
Pg. 28

27 Ensemble allumage / Ignition system / Sistema de encendido



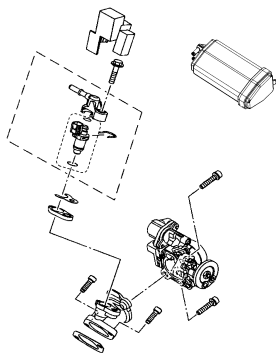
Pg. 29

28 Démarreur / Starter motor / Motor de arranque



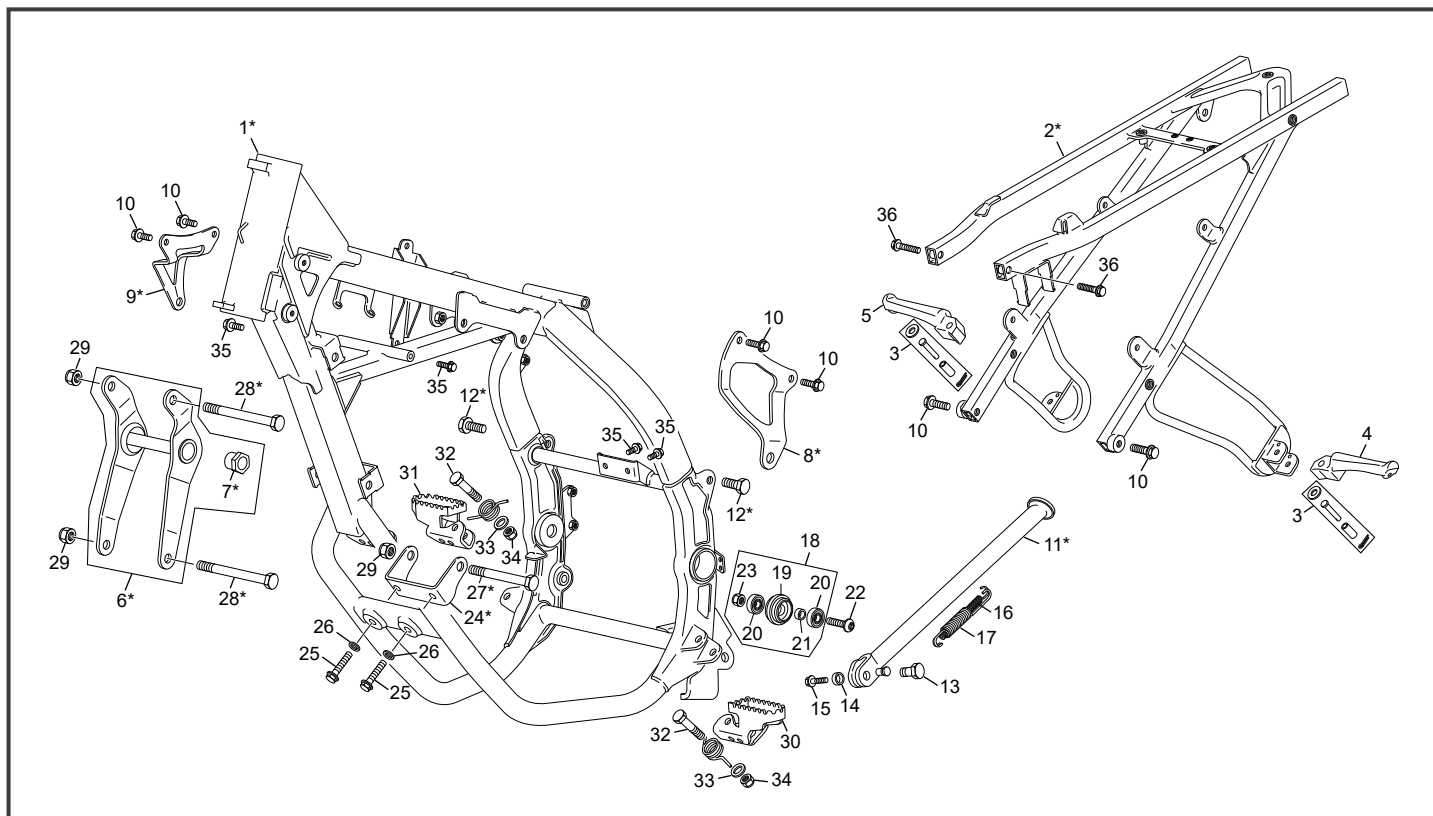
Pg. 30

29 Corps d'injection / Injector body / Cuerpo de inyección



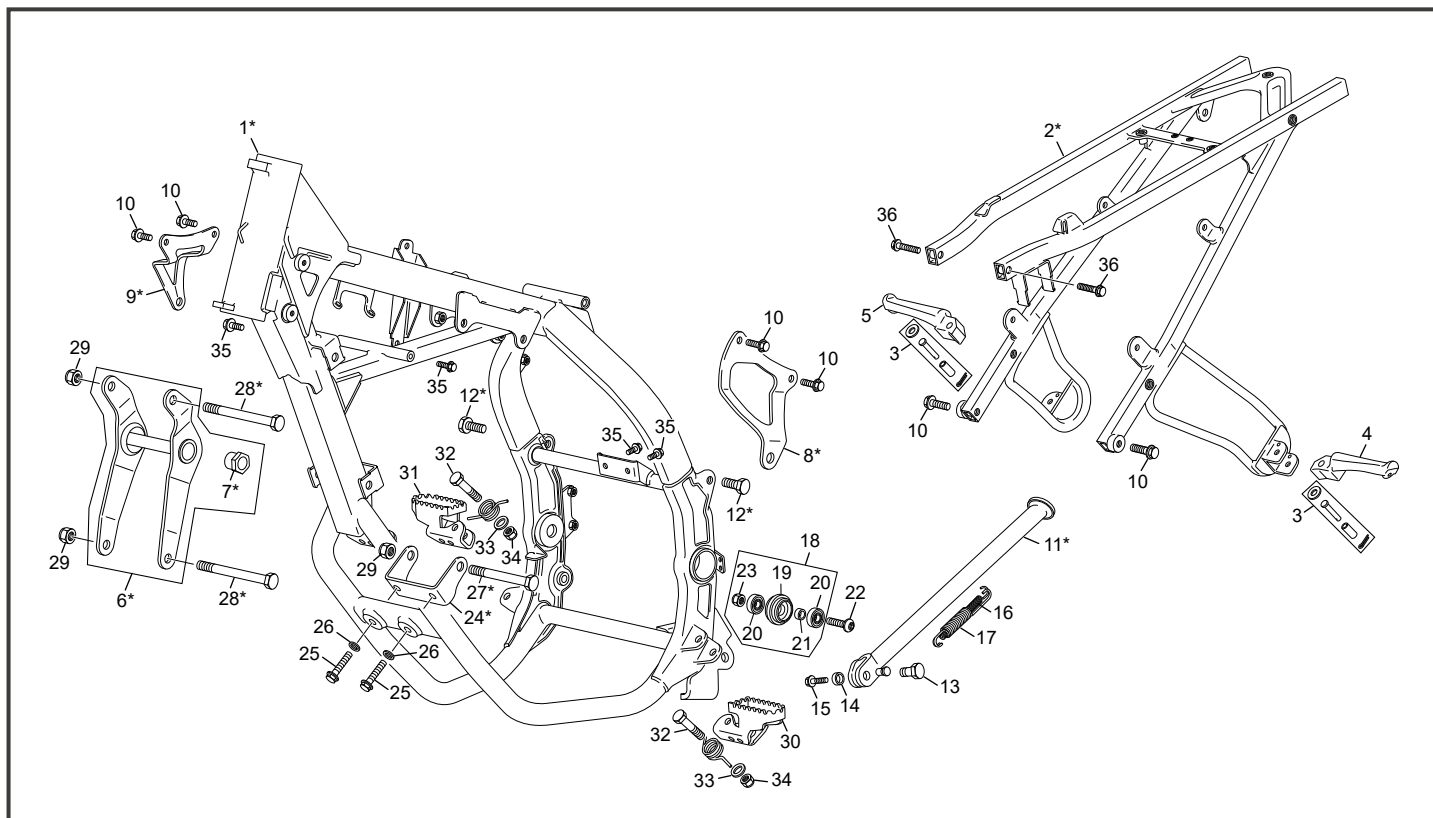
Pg. 31

Cadre Frame / Chasis



| POS. | HRD-SM-FACT-RS | HRD-SE-FACT-RS | FRANÇAIS | ENGLISH | ESPAÑOL |
|------|----------------|----------------|--------------------------------------|------------------------------------|---------------------------------------|
| 1 | 8990* | 8990* | CHASSIS | FRAME | CHASIS |
| 2 | 8991* | 8991* | BERCEAU | SUB FRAME | SOPORTE SILLIN |
| 3 | 10492 | 10492 | KIT AXE REPOSE PIED PASSAGER | REAR FOOTREST AXLE KIT | KIT EJE ESTRIBERAS PASAJERO |
| 4 | 10674 | 10674 | REPOSE PIED GAUCHE PASSAGER | LEFT PASSANGER FOOTREST | ESTIBERA IZQ. PASAJERO |
| 5 | 10673 | 10673 | REPOSE PIED DROIT PASSAGER | RIGHT PASSENGER FOOTREST | ESTIBERA DER. PASAJERO |
| 6 | 10311* | 10311* | SUPPORT MOTEUR AR + ECROU ENTRETOISE | REAR ENGINE SUPPORT + SPACER | SOPORTE MOTOR TRASERO + CASQUILLO |
| 7 | 10316* | 10316* | ECROU ENTRETOISE | SWING ARM NUT | TUERCA BASCULANTE |
| 8 | 10310* | 10310* | SUPPORT CULASSE GAUCHE | LEFT CYLINDER HEAD SUPPORT | SOPORTE CULATA IZQUIERDO |
| 9 | 10309* | 10309* | SUPPORT CULASSE DROITE | RIGHT CYLINDER HEAD SUPPORT | SOPORTE CULATA DERECHO |
| 10 | 3363 | 3363 | VIS THEP M8X20 | SCREW TH EP M8 X 20 | TORNILLO TH EP M8 X 20 |
| 11 | 10592* | 11110* | BEQUILLE SM/SE | SIDE STAND SM/SE | CABALLETE SM/SE |
| 12 | 11626* | 11626* | VIS TH EP EMBASE M10 X 1.25 X 30 | SCREW TH EP EMBASE M10 X 1.25 X 30 | TORNILLO TH EP EMBASE M10 X 1.25 X 30 |
| 13 | H111 | H111 | AXE BEQUILLE | SIDE STAND SCREW | TORNILLO CABALLETE |
| 14 | H112 | H112 | ENTRETOISE AXE BEQUILLE | SIDE STAND BRACE | CASQUILLO CABALLETE |
| 15 | 0970 | 0970 | VIS THEP M6X25 | SCREW THEP M6X25 | TORNILLO THEP M6X25 |
| 16 | 3086 | 3086 | RESSORT DE BEQUILLE INT | STAND INSIDE SPRING | MUELLE CABALLETE INT |
| 17 | 3085 | 3085 | RESSORT BEQUILLE EXT | STAND OUTSIDE SPRING | MUELLE CABALLETE EXT |
| 18 | 5549 | 5549 | GALET DE CHAINE END COMPLET | CHAIN ROLLER KIT | ROLO CADENA CONJUNTO |
| 19 | 0231 | 0231 | GALET DE CHAINE END | CHAIN ROLLER | ROLO CADENA |
| 20 | M027 | M027 | ROULEMENT À BILLE 608.2RSH | BALL BEARING 608.2RSH | COJINETE DE RODAMIENTO 608.2RSH |
| 21 | 0556 | 0556 | DOUILLE GALET CHAINE END | SPACER CHAIN ROLLER | CASQUILLO ROLO CADENA |
| 22 | 1028 | 1028 | VIS BHC M8X35 | SCREW BHC M8X35 | TORNILLO BHC M8X35 |
| 23 | M305 | M305 | ECROU NYLSTOP M8 | NYLSTOP NUT | TUERCA NYLSTOP |
| 24 | 11010* | 11010* | SUPPORT MOTEUR AV | FRONT ENGINE SUPPORT | SOPORTE MOTOR DELANTERO |
| 25 | 3254 | 3254 | VIS THEP M8X35 | SCREW THEP M8X35 | TORNILLO THEP M8X35 |
| 26 | 1432 | 1432 | RONDELLE AET 8 | WASHER X AET 8 | ARANDELA AET 8 |
| 27 | 11060* | 11060* | VIS H M10X100 | SCREW H M10X100 | TORNILLO M10X100 |
| 28 | 11059* | 11059* | VIS H M10X120 | SCREW H M10X120 | TORNILLO M10X120 |
| 29 | M304 | M304 | ECROU NYLSTOP M10 | NYLSTOP NUT M10 | TUERCA NYLSTOP M10 |
| 30 | H174 | H174 | CALE PIED GAUCHE | LEFT FOOTREST | ESTRIBO IZQUIERDO |
| 31 | H175 | H175 | CALE PIED DROIT | RIGHT FOOTREST | ESTRIBO DERECHO |
| 32 | C422 | C422 | VIS H 8 X 45 | SCREW H 8X45 | TORNILLO H 8X45 |
| 33 | C430 | C430 | RONDELLE M8 | M8 WASHER | M8 ARANDELLA |
| 34 | M305 | M305 | ECROU NYLSTOP M8 | NYLSTOP NUT M8 | TUERCA NYLSTOP M8 |
| 35 | 0656 | 0656 | VIS THEP M6X16 | SCREW THEP M6X16 | TORNILLO THEP M6X16 |

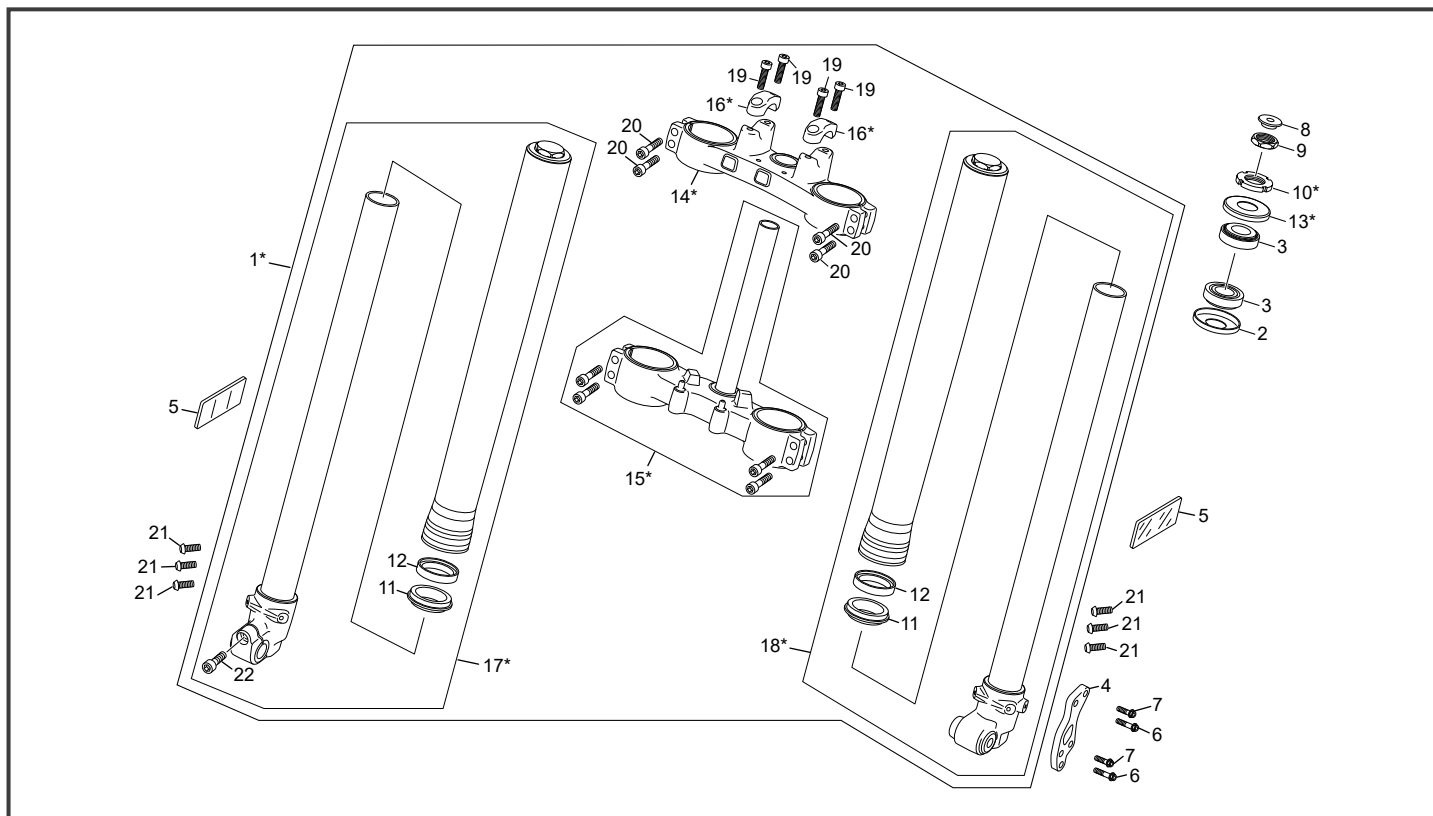
*Sherco se réserve les droits de modification des références, merci de contrôler sur le portail Sherconetwork avant toute commande. - *Sherco reserves the right to make change on the references, please check on your Sherconetwork portal before ordering.
*Sherco se reserva el derecho para hacer modificaciones sobre las referencias. Por favor, verifica en el Sherconetwork antes de hacer un pedido.



| POS. | HRD-SM-FACT-RS | HRD-SE-FACT-RS | FRANÇAIS | ENGLISH | ESPAÑOL |
|------|----------------|----------------|----------------|------------------|---------------------|
| 36 | 3254 | 3254 | VIS THEP M8X35 | SCREW THEP M8X35 | TORNILLO THEP M8X35 |

* NOUVELLE PIECE
NEW PART
PIEZA NUEVA

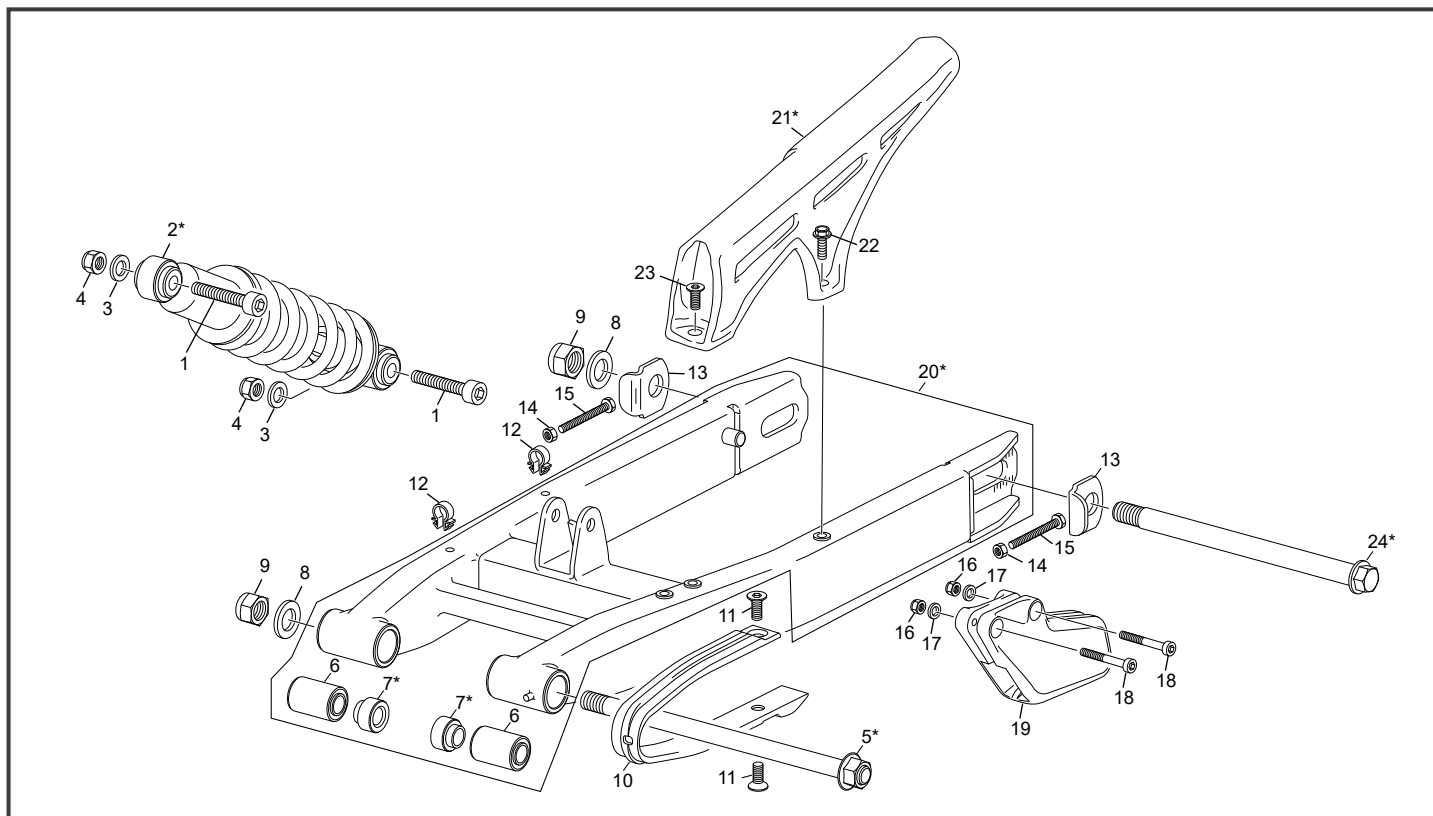
Fourche Fork / Horquilla



| POS. | HRD-SM-FACT-RS | HRD-SE-FACT-RS | FRANÇAIS | ENGLISH | ESPAÑOL |
|------|----------------|----------------|----------------------------------|-------------------------------|---------------------------------------|
| 1 | 10857* | 10857* | FOURCHE USD 41 COMPLETE | USD FRONT FORK 41 MM COMPLETE | SUSPENSIÓN DELANTERA 41 MM COMPLETA |
| 2 | 1051 | 1051 | ANNEAU D ETANCHEITE NYLOS | NYLOS RING | JUNTA NYLOS |
| 3 | H006 | H006 | RLT COLONNE 32005 | STEERING MAIN BEARING 32005 | COJINETE DIRECCIÓN 32005 |
| 4 | 7324 | 7325 | PATTE DEPORT FIXATION ETRIER USD | BRAKE CALIPER SUPPORT USD | SOPORTE PINZA FRENO USD |
| 5 | 1252 | 1252 | CATADIOPRE ORANGE | ORANGE REFLECTORS | REFLECTORES |
| 6 | 4620 | 4620 | VIS TH EP M8 X 32 ETRIER BREMBO | SCREW TH EP M8 X 32 | TORNILLO TH EP M8 X 32 |
| 7 | 3363 | 3363 | VIS TH EP M8 X 20 | SCREW TH EP M8 X 20 | TORNILLO TH EP M8 X 20 |
| 8 | 8693 | 8693 | BOUCHON COLONNE 50 END | STEERING STEM PLUG | TAPÓN PIPA |
| 9 | 8692 | 8692 | ECROU COLONNE 50 END SM | STEERING STEM NUT | TUERCA PIPA |
| 10 | 10748* | 10748* | ECROU ERGOTS FOURCHE 50/125 USD | STEERING STEM COUNTERNUT | CONTRATUERCA PIPA |
| 11 | 7539 | 7539 | CACHE POUSSIERE 50 USD | DUST SEAL | GUARDAPOLVO |
| 12 | 7538 | 7538 | JOINT SPI FOURCHE 50 USD | FORK SEAL | JUNTA SPI HORQUILLA |
| 13 | 10856* | 10856* | CACHE POUSSIERE SUP 125 | DUST PROTECTOR | PROTECCIÓN |
| 14 | 11593* | 11593* | T FOURCHE SUP. USD | UPPPER FORK CLAMP USD | PLATINA SUP HORQUILLA USD |
| 15 | 11592* | 11592* | T FOURCHE INF. COMPLET USD | LOWER FORK CLAMP USD | PLATINA INF HORQUILLA USD |
| 16 | 11591* | 11591* | BRIDE GUIDON USD | HANDLEBAR CLAMP USD | BRIDA MANILLAR USD |
| 17 | 11588* | 11588* | JAMBE FOURCHE DROITE USD | RIGHT FORK LEG USD | PIERNA HORQUILLA DER. USD |
| 18 | 11587* | 11587* | JAMBE FOURCHE GAUCHE USD | LEFT FORK LEG USD | PIERNA HORQUILLA IZQ. USD |
| 19 | M262 | M262 | VIS CHC 8 X 30 | SCREW CHC 8 X 30 | TORNILLO CHC 8 X 30 |
| 20 | M263 | M263 | VIS CHC 8 X 40 | SCREW CHC 8 X 40 | TORNILLO CHC 8 X 40 |
| 21 | 6757 | 6757 | VIS SPECIALE PROTECTEUR FOURCHE | FORK PROTECTOR BOLT | TORNILLO ESPECIAL PROTECTOR HORQUILLA |
| 22 | M 261 | M 261 | VIS CHC M8X20 | SCREW CHC 8 X 20 | TORNILLO CHC 8X20 |

* NOUVELLE PIECE
NEW PART
PIEZA NUEVA

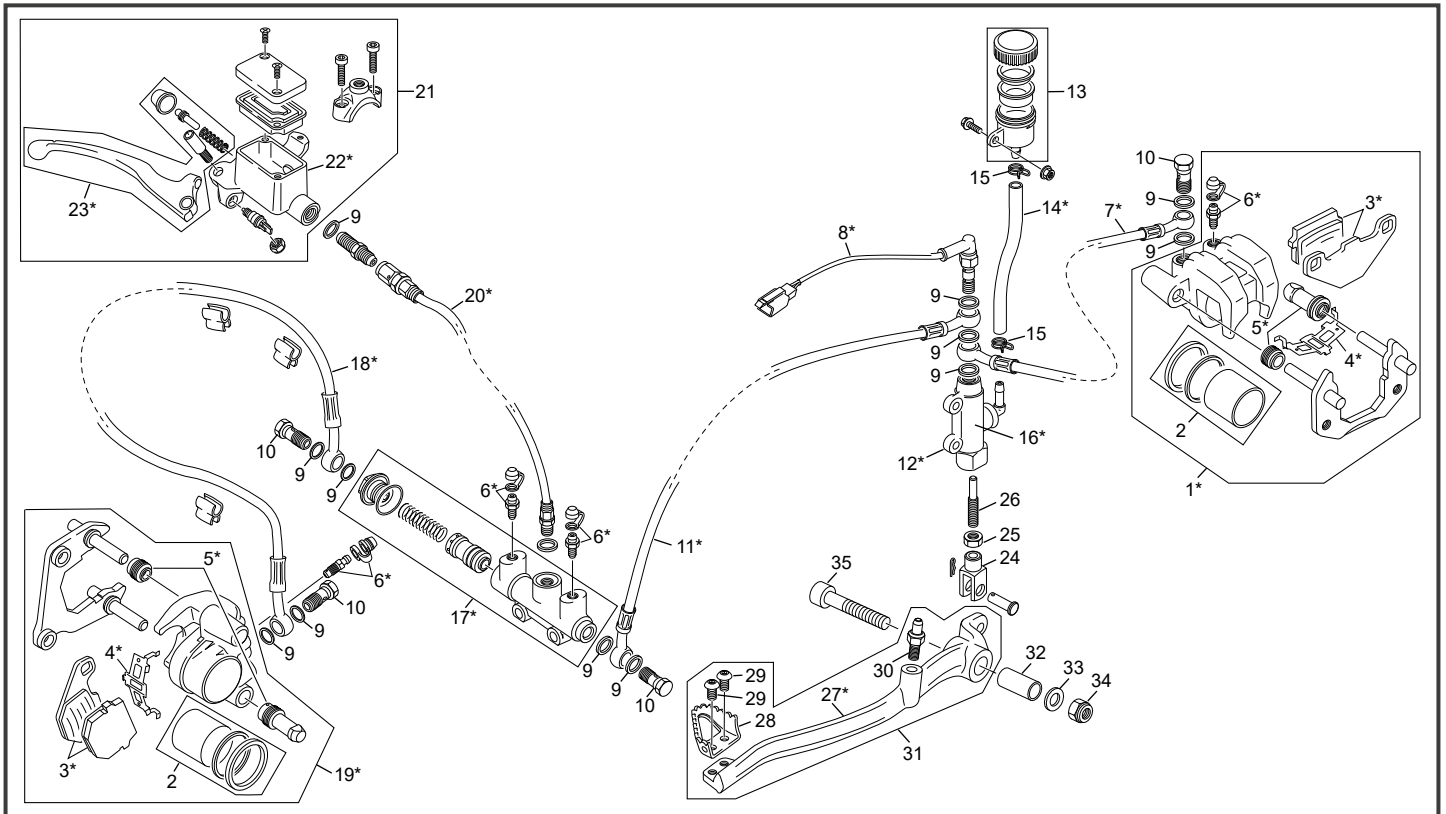
Amortisseur - Bras oscillant Rear Shock - Swingarm / Amortiguador - Basculante



| POS. | HRD-SM-FACT-RS | HRD-SE-FACT-RS | FRANÇAIS | ENGLISH | ESPAÑOL |
|------|----------------|----------------|-------------------------------|----------------------------|------------------------------|
| 1 | M259 | M259 | VIS CHC 10 X 50 0084 | SCREW CHC 10 X 50 | TORNILLO 10 X 50 ALLEN |
| 2 | 10858* | 10858* | AMORTISSEUR 125 4T | SHOCK ABSORBER 125 4T | AMORTIGUADOR 125 4T |
| 3 | C424 | C424 | RONDELLE M10 | WASHER M10 | ARANDELA M10 |
| 4 | M304 | M304 | ECROU NYLSTOP M10 0368.10 | NUT NYLSTOP M10 | TUERCA NYLSTOP M10 |
| 5 | 10313* | 10313* | AXE BRAS OSCILLANT 125 | SWINGARM AXLE | EJE BASCULANTE |
| 6 | 11218 | 11218 | SILENT BLOC DE BRAS OSCILLANT | SILENTBLOC SWINGARM | SILENTBLOC BASCULENTE |
| 7 | 10315* | 10315* | ENTRETOISE BRAS OSCILLANT | SPACER SWING ARM | CASQUILLO EJE BASCULANTE |
| 8 | C426 | C426 | RONDELLE M16 | WASHER M16 | ARANDELA M16 |
| 9 | C417 | C417 | ECROU NYLSTOP M16 X 150 | NUT NYLSTOP M16 X 150 | TUERCA NYLSTOP M16 X 150 |
| 10 | H065 | H065 | PATIN CHAINE | CHAIN SLIDER | PATÍN CADENA |
| 11 | M301 | M301 | VIS FHC M8X20 | SCREW FHC 8X20 | TORNILLO AVELLANADO M 8 X 20 |
| 12 | H273 | H273 | CLIP DURITE DE FREIN | BRAKE HOSE CLIP | CLIP TUBO FRENO |
| 13 | 7200 | 7200 | TOLE TENSION CHAINE 50/125 | CHAIN TENSIONER | CHAPA TENSIÓN CADENA |
| 14 | M309 | M309 | ECROU STANDARD M6 0317 | STANDARD NUT M6 | TUERCA STANDARD M6 |
| 15 | 1027 | 1027 | VIS TH M6 X 60 | SCREW TH M6X60 | TORNILLO TH M6X60 |
| 16 | M306 | M306 | ECROU NYLSTOP M6 0368.6 | NYLSTOP NUT M6 | TUERCA NYLSTOP M6 |
| 17 | C427 | C427 | RONDELLE M6 X 15 | WASHER M6X15 | ARANDELA M6X15 |
| 18 | 10343 | 10343 | VIS M6X45 ISO 4014 | SCREW M6X45 | TORNILLO M6X45 |
| 19 | 0296 | 0296 | GUIDE CHAINE | CHAIN GUIDE | GUÍA CADENA |
| 20 | 8994* | 8994* | BRAS OSCILLANT | SWINGARM | BASCULANTE |
| 21 | 11190* | 11190* | CARTER DE CHAINE | CHAIN PROTECTOR | PROTECTOR CADENA |
| 22 | 5201 | 5201 | VIS THEP M6X16 | SCREW THEP M6X16 | TORNILLO THEP M6X16 |
| 23 | 3205 | 3205 | VIS FHC M6X16 | SCREW FHC M6X16 | TORNILLO FHC M6X16 |
| 24 | 10512* | 10512* | AXE ROUE AR | REAR WHEEL AXLE | EJE RUOTA TRASERA |
| 25 | C426 | C426 | RONDELLE M16 AXE ROUE AR | REAR WHEEL AXLE WASHER M16 | ARANDELA M16 |
| 26 | C417 | C417 | ECROU AXE ROUE AR | REAR WHEEL NUT | TUERCA RUOTA TRASERA |

* NOUVELLE PIECE
NEW PART
PIEZA NUEVA

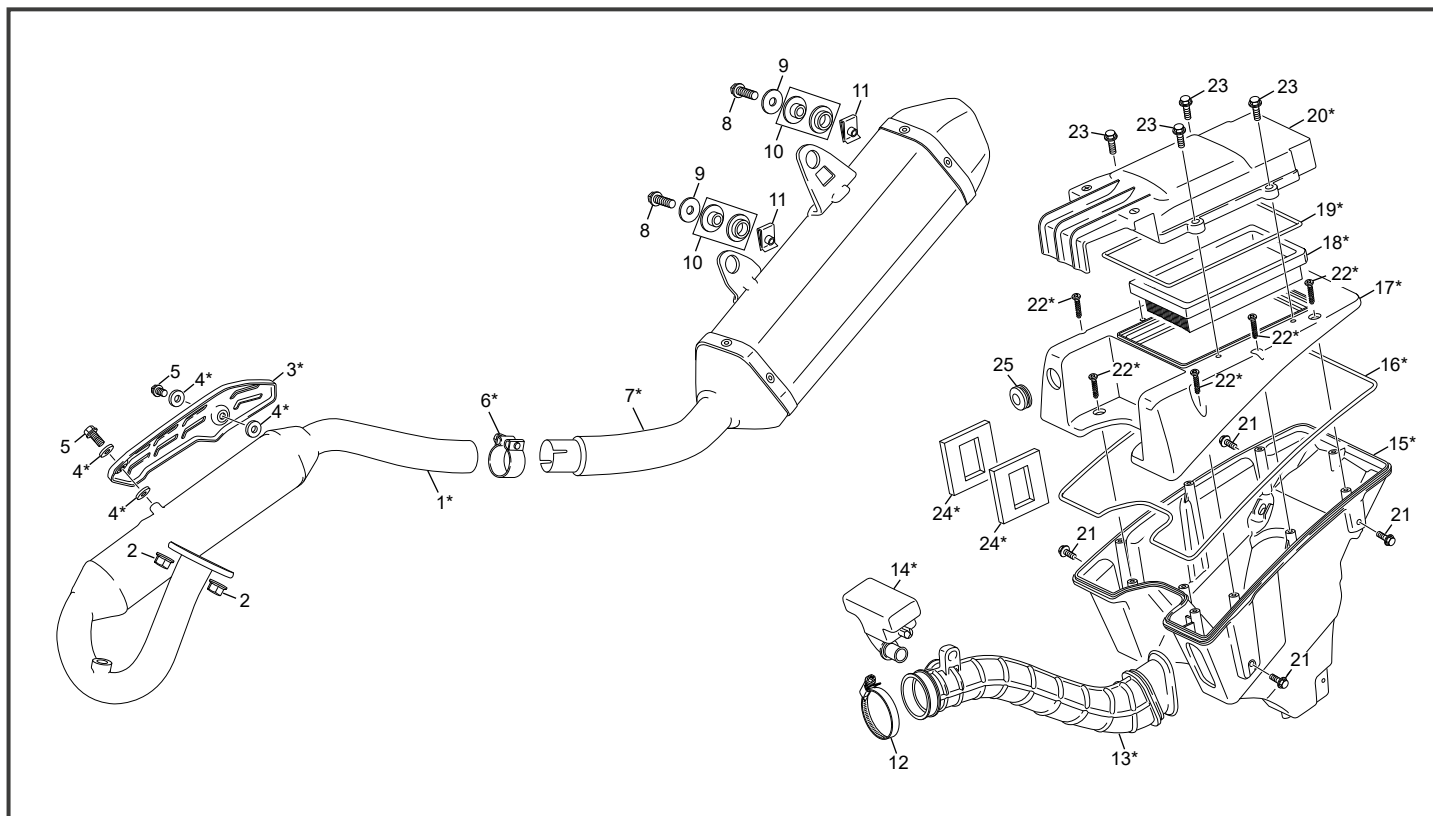
Système de freinage Brake system / Sistema de frenos



| POS. | HRD-SM-FACT-RS | HRD-SE-FACT-RS | FRANÇAIS | ENGLISH | ESPAÑOL |
|------|----------------|----------------|---|---|---|
| 1 | 11508* | 11508* | ETRIER AR | REAR CALIPER | PINZA FRENO TRASERO |
| 2 | 4083 | 4083 | KIT PISTON ETRIER AR/AV JJUAN | KIT REPAIR CALIPER JJUAN | KIT REPARACIÓN PINZA JJUAN |
| 3 | 11515* | 11515* | PLAQUETTES FREIN AV/AR 125 4 T | BRAKE PADS FRONT/REAR 125 4T | JUEGO PASTILLAS DEL/TRAS 1254T |
| 4 | 11520* | 11520* | KIT RESSORTS PLAQUETTES | SPRING PADS SET | KIT MUELLES PASTILLAS |
| 5 | 11521* | 11521* | KIT SOUFFLETS AXE ETRIER | PIN BOLT KIT | PERNO FIJACIÓN FRENO |
| 6 | 11516* | 11516* | KIT PURGEUR | BLEEDER KIT | TORNILLO SANGRADOR |
| 7 | 11118* | 11118* | DURIT ETRIER AR / MAITRE CYLAR | BRAKE HOSE REAR CALIPER / REAR MASTER CYL | LATIGUILLO FRENO TRASERO PINZA / BOMBA |
| 8 | 11506* | 11506* | INTERRUPTEUR FREIN AR | REAR BRAKE SWITCH | INTERUPTOR FRENO TRASERO |
| 9 | R074 | R074 | RONDELLE BANJO CUIVRE 10X14X1,5 | WASHER COPPER 10X14X1.5 | ARANDELLA BANJO COBRE 10X14X1.5 |
| 10 | R059 | R059 | VIS RACCORD M10X21 | BANJO BOLT M10X21 | TORNILLO RACORD M10X21 |
| 11 | 11119* | 11119* | DURITE MAITRE CYLAR / DISTRIBUTEUR | BRAKE HOSE REAR MASTER CYLINDER / DISTRIBUTOR | LATIGUILLO BOMBA FRENO TRASERA / DISTRIBUIDOR |
| 12 | 11121* | 11121* | MAITRE CYLINDRE ARRIERE | REAR PUMP ASSY | BOMBA FRENO TRASERA |
| 13 | 4661 | 4661 | BOCAL LIQUIDE DE FREIN | BRAKE FLUID TANK | DEPOSITO LÍQUIDO FRENO |
| 14 | 11513* | 11513* | DURITE LIQUIDE DE FREIN | BRAKE FLUID HOSE | TUBO LÍQUIDO FRENO |
| 15 | 11511 | 11511 | CLIP DOUBLE FIL | CLIP DOUBLE FIL | CLIP DOUBLE FIL |
| 16 | 11514* | 11514* | KIT PISTON MAITRE CYLINDRE AR | PISTON KIT MASTER CYLINDER | KIT REPARACIÓN BOMBA FRENO |
| 17 | 11120* | 11120* | DISTRIBUTEUR FREIN | BRAKE DISTRIBUTOR | DISTRIBUIDOR FRENO |
| 18 | 11117* | 11117* | DURIT ETRIER AV/DISTRIBUTEUR | BRAKE HOSE FRONT CALIPER / DISTRIBUTOR | LATIGUILLO FRENO DELANTERO PINZA / DISTRIBUIDOR |
| 19 | 11507* | 11507* | ETRIER AV | FRONT CALIPER | PINZA FRENO DELANTERA |
| 20 | 11116* | 11116* | DURITE MAITRE CYLAR / DISTRIBUTEUR | BRAKE HOSE FRONT MASTER CYL / DISTRIBUTOR | LATIGUILLO FRENO DELANTERO BOMBA / DISTRIBUIDOR |
| 21 | 11122 | 11122 | MAITRE CYLINDRE AVANT | FRONT PUMP ASSY | BOMBA FRENO DELANTERA |
| 22 | 11529* | 11529* | KIT REPARATION MAITRE CYLINDRE FREIN AV | KIT REPAIR FRONT BRAKE MASTER CYLINDER | KIT REPARACIÓN BOMBA FRENO DELANTERA |
| 23 | 11528* | 11528* | KIT LEVIER FREIN AV | FRONT BRAKE LEVER KIT | KIT MANETA FRENO DELANTERO |
| 24 | H122 | H122 | CHAPE PEDALE FREIN | BRAKE PEDAL BALANCE BEAM | HORQUILLA PEDAL FRENO |
| 25 | M309 | M309 | ECROU STANDARD M6 | NUT M6 | TUERCA M6 |
| 26 | 0374 | 0374 | TIGE FREIN AR END | REAR BRAKE PUSHROD END | BARILLA FRENO TRASERO END |
| 27 | H411 | H411 | PEDALE FREIN ALU 50/125 06 | REAR BRAKE PEDAL | PEDAL DE FRENO TRASERO |
| 28 | 2153 | 2153 | EMBOUT PEDAL FREIN END EVO | POINT BRAKE PEDAL END EVO | PUNTERA PEDAL FRENO END EVO |
| 29 | M278 | M278 | VIS BHC 5 X10 | SCREW BHC 5X10 | TORNILLO 5 X 10 |
| 30 | 1049 | 1049 | VIS BUTEE DE FREIN AR 50 END SM | REAR BRAKE SCREW 50 END SM | TORNILLO |
| 31 | 8590 | 8590 | PEDALE FREIN ALU 50 SE SM COMPLETE | COMPLETE REAR BRAKE PEDAL 50 SE SM | PEDAL FRENO TRAS. COMP.50 SE SM |
| 32 | H123 | H123 | ENTRETOISE PEDALE FREIN | REAR BRAKE PEDAL BRACE | CASQUILLO PEDAL FRENO |
| 33 | C430 | C430 | RONDELLE M8 | WASHER M8 | ARANDELA M8 |
| 34 | M305 | M305 | ECROU NYLSTOP M8 | NUT NYLSTOP M8 | TUERCA NYLSTOP M8 |
| 35 | C406 | C406 | VIS CHC M8 X 50 | SCREW CHC M8 X 50 | TORNILLO CHC M8 X 50 |

* —| NOUVELLE PIECE / NEW PART / PIEZA NUEVA

Boîte filtre - échappement Air filter box - exhaust system / Caja filtro - escape

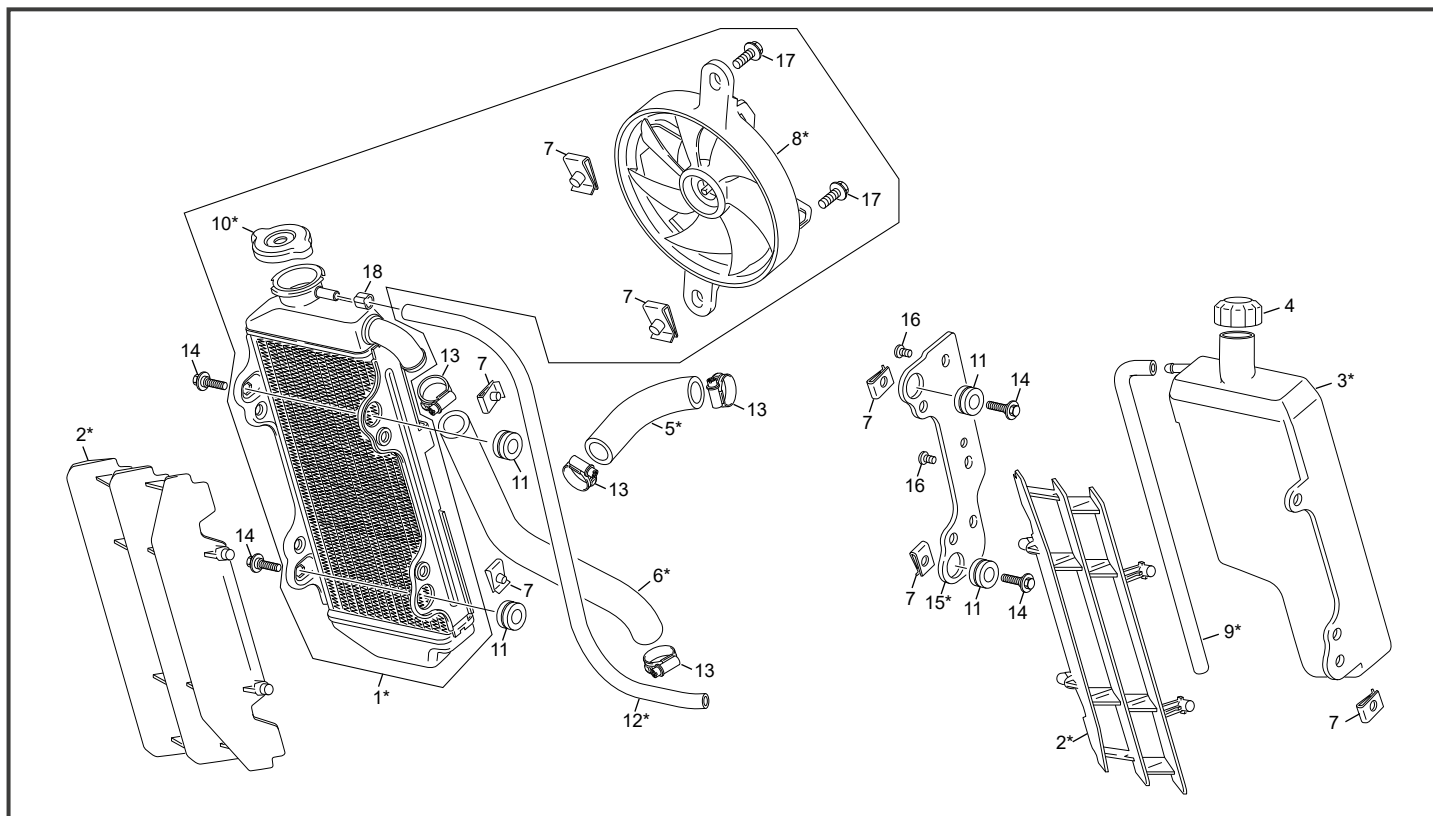


| POS. | HRD-SM-FACT-RS | HRD-SE-FACT-RS | FRANÇAIS | ENGLISH | ESPAÑOL |
|------|----------------|----------------|---------------------------------------|-----------------------------------|---|
| 1 | 10324* | 10324* | COLLECTEUR ECHAPPEMENT | EXHAUST HEADER | ESCAPE |
| 2 | 8781 | 8781 | ECROU EMBASE CRANTEE M8 | HEX NUT M8 | TUERCA CON VALONA M8 |
| 3 | 10593* | 10593* | PROTECTION THERMIQUE ECHAPPEMENT | THERMIC PROTECTOR EXHAUST | PROTECTOR TÉRMICO ESCAPE |
| 4 | H005* | H005* | RONDELLE ISOLANTE | INSULATING WASHER | ARANDELA AISLANTE |
| 5 | 2986 | 2986 | VIS BHC M6X12 | SCREW BHC M6X12 | TORNILLO BHC M6X12 |
| 6 | 11067* | 11067* | COLLIER ECHAPPEMENT 32-35 | EXHAUST COLLAR 32-35 | COLLAR ESCAPE 32-35 |
| 7 | 10325* | 10325* | SILENCIEUX 125 4T EURO5 | SILENCER 125 4T EURO5 | SILENCIOSO 125 4T EURO5 |
| 8 | 0546 | 0546 | VIS TH EP 6 X 20 | SCREW TH EP 6 X 20 | TORNILLO TH EP 6 X 20 |
| 9 | 4939 | 4939 | RONDELLE M6 X 22 INOX | WASHER M6 X 22 INOX | ARANDELA M6 X 22 INOX |
| 10 | 0274 | 0274 | SILENT BLOC SILENCIEUX | SILENBLOC SILENCER | SILENBLOC SILENCIOSO |
| 11 | M308 | M308 | ECROU CLIP M6 | NUT CLIP M6 | TUERCA CLIP M6 |
| 12 | 0595 | 0595 | COLLIER 40-60 | COLLAR 40-60 | BRIDA 40-60 |
| 13 | 10319* | 10319* | MANCHON FILTRE AIR 125 4T | AIR FILTER SLEEVE 125 4T | TUBERA CAJA FILTRO 125 4T |
| 14 | 10320* | 10320* | RESONATEUR MANCHON 125 4T | MANIFOLD RESONATOR 125 4T | RESONADOR DE MANGA 125 4T |
| 15 | 8992* | 8992* | BOITE FILTRE AIR INFERIEURE 125 4T | AIR FILTER BOX BOTTOM 125 4T | CAJA DE FILTRO INFERIOR 125 4T |
| 16 | 10707* | 10707* | JOINT BOITE FILTRE | AIR BOX GASKET | JUNTA CAJA AIRE |
| 17 | 10377* | 10377* | BOITE FILTRE AIR SUPERIEURE | AIR FILTER BOX TOP | CAJA DE FILTRO SUPERIOR |
| 18 | 10318* | 10318* | FILTRE AIR PAPIER | PAPER AIR FILTER | FILTRO DE AIRE DE PAPEL |
| 19 | 10521* | 10521* | JOINT COUVERCLE BOITE FILTRE | AIR FILTER BOX COVER GASKET | JUNTA TAPA DE CAJA AIRE |
| 20 | 10371* | 10371* | COUVERCLE BOITE FILTRE AIR | AIR FILTER BOX COVER | TAPA CAJA DE FILTRO |
| 21 | 0553 | 0553 | VIS THEP M5X12 | SCREW THEP M5X12 | TORNILLO THEP M5X12 |
| 22 | 10992* | 10992* | VIS PLASTIQUE M 3.5 X 16 BOITE FILTRE | PLASTIC SCREW 3.5 X 16 FILTER BOX | TORNILLO PLASTICO 3.5 X 16 CAJA DE FILTRO |
| 23 | 0656 | 0656 | VIS THEP M6X16 | SCREW THEP M6X16 | TORNILLO THEP M6X16 |
| 24 | 10520* | 10520* | MOUSSE ADHESIVE SUPPORT BATTERIE | ADHESIVE FOAM SUPPORT BATTERY | ADHESIVO ESPUMA SOPORTE BATERÍA |
| 25 | H059 | H059 | PASSE FIL | GROMMET | SILENTBLOCK |

* NOUVELLE PIECE
NEW PART
PIEZA NUEVA

*Sherco se réserve les droits de modification des références, merci de contrôler sur le portail Sherconetwork avant toute commande. - *Sherco reserves the right to make change on the references, please check on your Sherconetwork portal before ordering.
*Sherco se reserva el derecho para hacer modificaciones sobre las referencias. Por favor, verifica en el Sherconetwork antes de hacer un pedido.

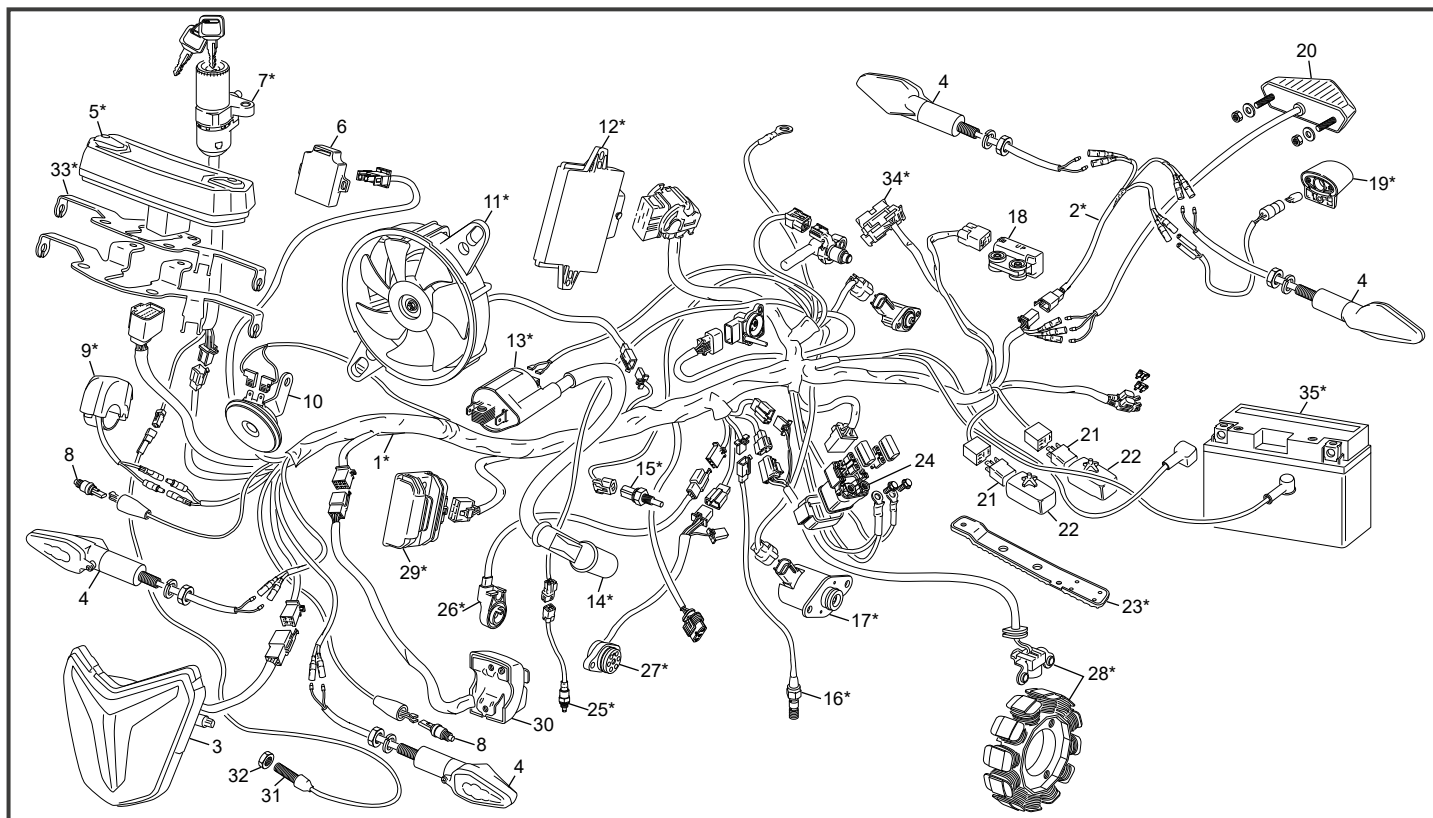
Radiateur Radiator / Radiador



| POS. | HRD-SM-FACT-RS | HRD-SE-FACT-RS | FRANÇAIS | ENGLISH | ESPAÑOL |
|------|----------------|----------------|---|-----------------------------------|---|
| 1 | 11030* | 11030* | RADIATEUR 125 4T COMPLET AVEC VENTILATEUR | RADIATOR 125 4T ASSY WITH FAN | RADIADOR 125 4T COMPLETO CON VENTILADOR |
| 2 | 11229* | 11229* | GRILLE RADIATEUR G/D SYMETRIQUE | SYMETRICAL RADIATOR PROTECTOR L/R | GRILLA RADIADOR IZQ/DER SIMÉTRICO |
| 3 | 9015* | 9015* | VASE D'EXPANSION | EXPANSION TANK | VASO DE EXPANSIÓN |
| 4 | 0748 | 0748 | BOUCHON VASE EXPANSION | EXPANSION TANK CAP | TAPÓN VASO EXPANSIÓN |
| 5 | 10514* | 10514* | DURITE INF. RADIATEUR | LOWER RADIATOR HOSE | TUBO RADIADOR INFERIOR |
| 6 | 10515* | 10515* | DURITE SUP. RADIATEUR | TOP RADIATOR HOSE | TUBO SUPERIOR RADIADOR |
| 7 | M308 | M308 | ECROU CLIP M6 | NUT CLIP M6 | TUERCA CLIP M6 |
| 8 | 10328* | 10328* | KIT VENTILATEUR | KIT FAN | KIT VENTILADOR |
| 9 | 10330* | 10330* | DURITE EXPANSION RADIATEUR SUP | EXPANSION HOSE RADIATOR TOP | TUBO EXPANSIÓN RADIADOR SUP |
| 10 | 11519* | 11519* | BOUCHON RADIATEUR 2 OREILLES | 2 EARS RADIATOR TAP | TAPÓN RADIADOR 2 OREJAS |
| 11 | H059 | H059 | SILENT BLOC RADIATEUR | RADIATOR SILENTBLOCK | SILENTBLOCK RADIADOR |
| 12 | 10329* | 10329* | DURITE EXPANSION RADIATEUR INF | EXPANSION PIPE RADIATOR BOTTOM | TUBO EXPANSIÓN RADIADOR INF |
| 13 | 0281 | 0281 | COLLIER K025 FIXATION DURITE | COLLAR K025 HOSE RADIATOR | BRIDA K025 TUBO RADIADOR |
| 14 | 8601 | 8601 | VIS TH EP 6 X 20 EPAULE | SREW TH EP 6 X 20 SPECIAL | TORNILLO TH EP 6 X 20 ESPECIAL |
| 15 | 10404* | 10404* | SUPPORT VASE EXPANSION | WATER TANK BRACKET | SOPORTE DEPÓSITO DE AGUA |
| 16 | 3554 | 3554 | VIS BHC M6X8 | VIS BHC M6X8 | TORNILLO BHC M6X8 |
| 17 | 0656 | 0656 | VIS TH EP 6 X 16 | SCREW TH EP 6 X 16 | TORNILLO TH EP 6 X 16 |
| 18 | 5569 | 5569 | COLLIER COBRA 9 | COLLAR COBRA 9 | ABRAZADERA COBRA 9 |

* NOUVELLE PIECE
NEW PART
PIEZA NUEVA

Faisceau électrique Electrical system / Instalación eléctrica

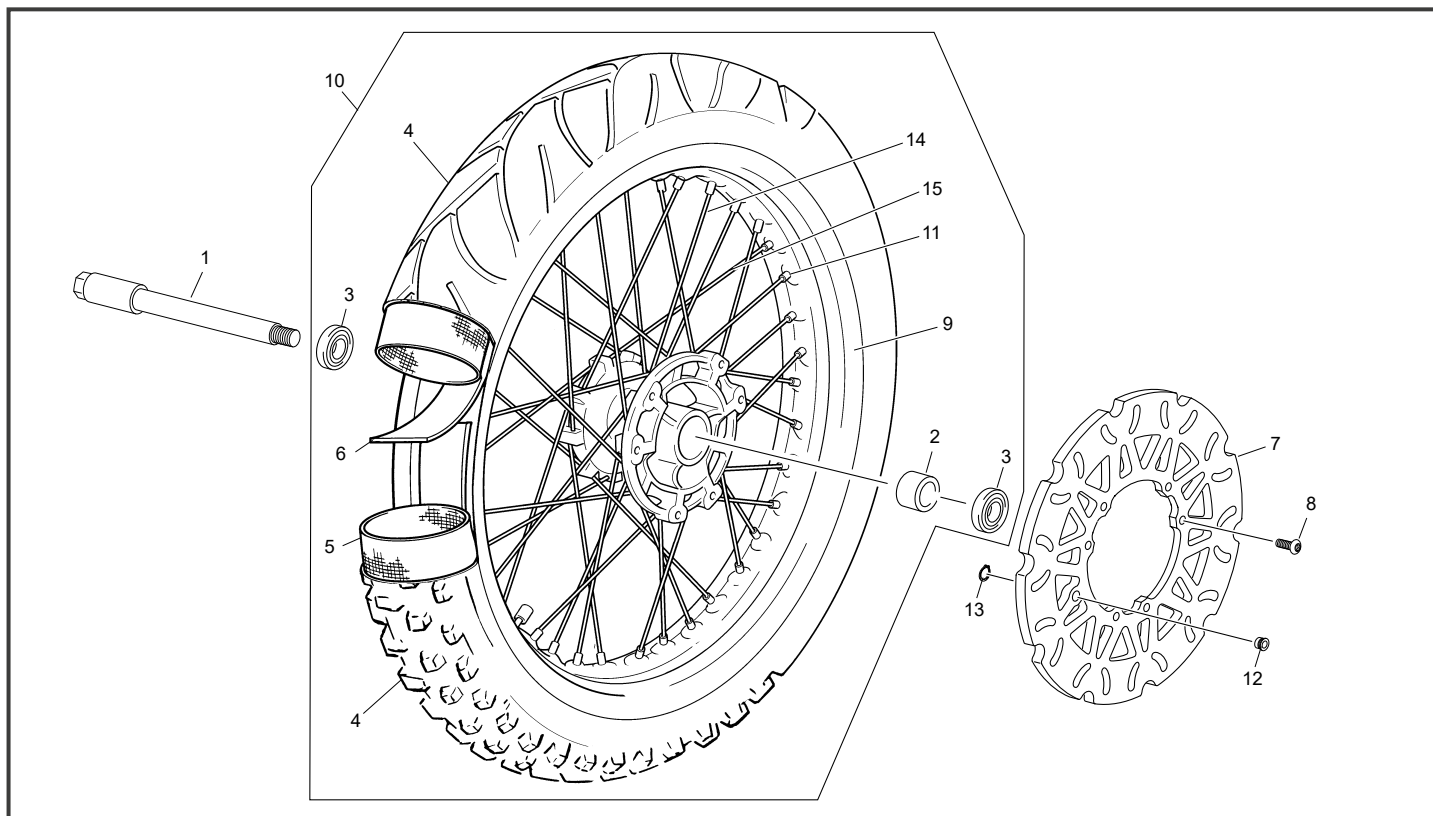


| POS. | HRD-SM-FACT-RS | HRD-SE-FACT-RS | FRANÇAIS | ENGLISH | ESPAÑOL |
|------|----------------|----------------|--|--|--|
| 1 | 10312* | 10312* | FAISCEAU ELECTRIQUE 125 4T | WIRE HARNESS 125 4T | INSTALACIÓN ELÉCTRICA COMPLETA 125 4T |
| 2 | 11517* | 11517* | FAISCEAU ELECTRIQUE AR 125 4T | WIRE HARNESS REAR PART 125 4T | INSTALACIÓN ELÉCTRICA PARTE TRASERA 125 4T |
| 3 | 10274* | 10274* | OPTIQUE PHARE END/SM LED 2023 | FRONT LIGHT OPTICAL END/SM LED 2023 | FARO DEL END/SM LED 2023 |
| 4 | 9954 | 9954 | CLIGNOTEUR DROIT ET GAUCHE LONG 50 END EVO | TURN LIGHT LEFT RIGHT LONG END 50 EVO | INTERMITENTE IZQUIERDO DERECHO LARGO 50 END 12 EVO |
| 5 | 10322* | 10322* | COMPTEUR DE VITESSE 125 4T | SPEEDOMETER END/SM 125 4T | VELOCÍMETRO END/SM 125 4T |
| 6 | 0364 | 0364 | CENTRALE CLIGNOT END 450 | INDICATIVE LIGHT SYSTEM END 450 | CENTRAL INTERMITENCIA END 450 |
| 7 | 10331* | 10331* | BOUCHON ESSENCE + CONTACTEUR DEM 125 4T | PETROL CAP + BLOC KEY STARTER 125 4T | TAPÓN GASOLINA + BLOC LLAVE ARRANQUE 125 4T |
| 8 | R354 | R354 | CONTACTEUR FREIN AV 50 END | FRONT BRAKE ELECTRIC CONTACT 50 END | INTERRUPTOR FRENO DEL 50 END |
| 9 | H152 | H152 | BOUTON DEMARREUR DROIT 125 END SM | RIGHT START ELECTRIC COMMANDS 125 END SM | COMANDO ARRANQUE DERECHO 125 END SM |
| 10 | 9212 | 9212 | KLAXON END COUDE SE/SEF/50CC | HORN END CUBIT SE/SEF/50CC | CLAXON CODO SE/SEF/50CC |
| 11 | 10328* | 10328* | KIT VENTILATEUR 125 4T | KIT FAN 125 4T | KIT VENTILADOR 125 4T |
| 12 | 11278* | 11278* | ECU | C.D.I. UNIT | ECU |
| 13 | 11277* | 11277* | BOBINE D'ALLUMAGE | IGNITION COIL ASSY | BOBINA ENCENDIDO |
| 14 | 10932* | 10932* | ANTIPARASITE CHAMPION CPL SE SANS OLIVE | CHAMPION SPARK PLUG CUP ASSY SE SANS OLIVE | CTO. PIPA BUJIA SE CAMPEÓN SIN ACEITUNA |
| 15 | 10785* | 10785* | CAPTEUR EAU 125 4T MINA | SENSOR WATER 125 4T MINA | SENSOR AGUA 125 4T MINA |
| 16 | 10786* | 10786* | SONDE LAMBDA 125 4T MINA | LAMBDA SENOR 125 4T MINA | SENSOR LAMBDA 125 4T MINA |
| 17 | 11368* | 11368* | BOBINE DE SOLENOIDE | SOLENOID COIL ASSY | BOBINA SOLENOIDE |
| 18 | 6909 | 6909 | CAPTEUR D ANGLE SEF | TTL SENSOR | SENSOR DE ANGULO SEF |
| 19 | 11002* | 11002* | FEU ECLAIRAGE PLAQUE EVO | PLATE NUMBER REAR LIGHT EVO | FARO TRAS. HOMOLO EVO |
| 20 | 3506 | 3506 | FEU AR END 450 2012 | RACING REAR LIGHT END 450 2012 | RACING FARO TRAS END 450 2012 |
| 21 | 5095 | 5095 | RELAIS ECU SYN END | SYN ECU RELEY END | RELE ECU SYN END |
| 22 | 1291 | 1291 | SUPPORT RELAIS END | HOLDER RELAY END | SUPPORTO RELE END |
| 23 | 11043* | 11043* | SUPPORT RELAIS & FUSIBLE SH125 | RELAY & FUSE BRACKET SH125 | SUPPORTO RELÉ Y MECHA SH125 |
| 24 | 0367 | 0367 | RELAIS DEMARREUR END | STARTER RELAY END | STARTER RELÉ END |
| 25 | 11506* | 11506* | INTERRUPTEUR FREIN 125 4T | BRAKE ELECTRIC CONTACT 125 4T | INTERRUPTOR FRENO 125 4T |
| 26 | 10791* | 10791* | CONTACTEUR DE BEQUILLE 125 4T | STAND SWITCH 125 4T | INTERRUPTOR CABALLETE 125 4T |
| 27 | 11355* | 11355* | ENSEMBLE COMMUTATEUR NEUTRE | NEUTRAL SWITCH ASSY | CONJUNTO DEL INTERRUPTOR DE NEUTRO |
| 28 | 11271* | 11271* | STATOR | STATOR ASSY | STATOR |
| 29 | 11378* | 11378* | REGULATEUR DE TENSION | RECTIFIER REGULETOR ASS | REGULADOR DE TENSIÓN |
| 30 | H431 | H431 | COMMODO ELECTRIQUE 50 | ELECTRONIC COMMAND 50 | COMANDO ELÉCTRICO 50 |
| 31 | 7531 | 7531 | CAPTEUR ET CABLE FACOMSA | SENSOR AND CABLE | SONDA REED END/SM EURO 4 |
| 32 | 3481 | 3481 | ECROU BAS M8 ZI BLANC | NUT M8 | TUERCA M8 |
| 33 | 10713* | 10713* | SUPPORT COMPTEUR 125 RS FACOMSA | SPEEDO METER HOLDER 125 RS FACOMSA | SUPORTE VELOCÍMETRO 125 RS FACOMSA |
| 34 | 11518* | 11518* | BOUCHON OBD 125 4T | OBD ELECTRICAL CAP 125 4T | TAPÓN ELÉCTRICA OBD 125 4T |
| 35 | 10708* | 10708* | BATTERIE BTX 4L BS+ 4AMP LEAD 125 | BATTERY BTX 4L BS+ 4AMP LEAD 125 | BATERÍA BTX 4L BS+ 4AMP LEAD 125 |

* —| NOUVELLE PIECE / NEW PART / PIEZA NUEVA

*Sherco se réserve les droits de modification des références, merci de contrôler sur le portail Sherconetwork avant toute commande. - *Sherco reserves the right to make change on the references, please check on your Sherconetwork portal before ordering.
*Sherco se reserva el derecho para hacer modificaciones sobre las referencias. Por favor, verifica en el Sherconetwork antes de hacer un pedido.

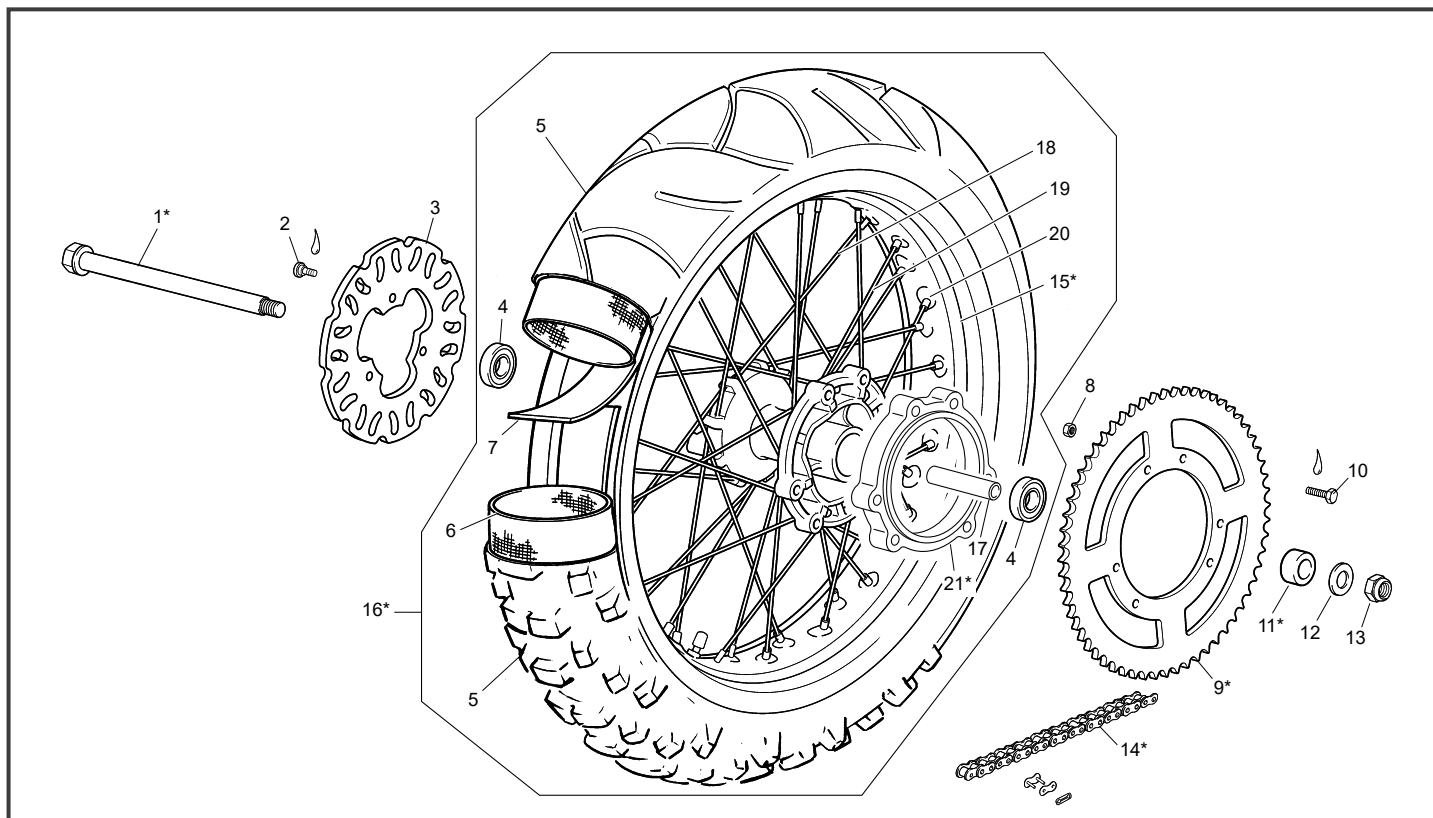
Roue avant Front wheel / Rueda delantera



| POS. | HRD-SM-FACT-RS | HRD-SE-FACT-RS | FRANÇAIS | ENGLISH | ESPAÑOL |
|------|----------------|----------------|-------------------------------------|--|---------------------------------------|
| 1 | 7322 | 7322 | AXE ROUE AVANT 125 RS | FRONT WHEEL AXLE 125 RS | EJE RUEDA DELANTERA 125 RS |
| 2 | 7323 | 7323 | ENTRETOISE ROUE AVANT BASE 125 RS | FRONT WHEEL SPACER BASE 125 RS | ARANDELA RUEDA DEL. BASE 125 RS |
| 3 | R360 | R360 | ROULEMENT MOYEU AV. | HUB BEARING | RODAMIENTO BUJE |
| 4 | H080 | ---- | PNEU AV. SM 100/80.17 | FRONT TYRE SM 100/80.17 | NEUMÁTICO DEL. SM 100/80.17 |
| 4 | ---- | H084 | PNEU AV. END 90/90.21 | FRONT TYRE END 90/90.21 | NEUMÁTICO DEL. END 90/90.21 |
| 5 | H081 | ---- | CHAMBRE AV. SM 300 X 17 | FRONT INNER TUBE SM 300 X 17 | CÁMARA DELANTERA SM 300 X 17 |
| 5 | ---- | H077 | CHAMBRE AV. END 300 X 21 | FRONT INNER TUBE END 300 X 21 | CÁMARA DEL. END 300 X 21 |
| 6 | H247 | H078 | CORDON JANTE AV. END | FRONT RIM RUBBER BAND END | BANDA LLANTA DEL. END |
| 7 | ---- | 7273 | DISQUE AV. 50/125 END 260MM EVO | BRAKE DISK 50/125 END 260MM EVO | DISCO DEL. 50/125 END 260MM EVO |
| 7 | 7272 | ---- | DISQUE AV. SM 50/125 300MM EVO | BRAKE DISK SM 50/125 300MM EVO | DISCO DEL. SM 50/125 300MM EVO |
| 8 | M252 | M252 | VIS CHC M6 X 20 | SCREW CHC M6 X 20 | TORNILLO CHC M6 X 20 |
| 9 | 11041* | ---- | ROUE AVANT SM RAYON NOIRE SANS PNEU | FRONT WHEEL SM RAYON BLACK WITHOUT TYRE | RUEDA DEL. SM RAYON NEGRO SIN PNEUM. |
| 9 | ---- | 11148* | ROUE AV 125 END USD NOIRE SANS PNEU | FRONT WHEEL 125 END USD BLACK WITHOUT TYRE | RUEDA DEL 125 END USD NEGRA SIN NEUM. |
| 10 | ---- | 8302 | ROUE AV. 125 END NOIRE AVEC PNEU | FRONT WHEEL 125 END BLACK WITH TYRE | RUEDA DEL. 125 END NEGRA CON NEUM. |
| 10 | 7447 | ---- | ROUE AV. 125 SM RAYON AVEC PNEU | FRONT WHEEL 125 SM RAYON WITH TYRE | RUEDA DEL. 125 SM RAYON CON NEUM. |
| 11 | ---- | 3398 | ÉCROU RAYON END | NEEPL SPOCKE | TUERCA RADIO |
| 12 | 7533 | 7533 | AIMANT FACOMSA | MAGNETIC BOLT FACOMSA | IMÁN SENSOR FACOMSA |
| 13 | 7532 | 7532 | CIRCLIP AIMANT FACOMSA | CIRCLIP FACOMSA | CIRCLIP FACOMSA |
| 14 | 10589 | 7992 | RAYON END L250 COTÉ DISQUE | SPOCKE END L250 DISK SIDE | RADIO END L250 DISCO |
| 15 | ---- | 7993 | RAYON END L252 COTÉ DROIT | SPOCKE END L252 RIGHT SIDE | RADIO END L252 DERECHA |

* NOUVELLE PIECE
NEW PART
PIEZA NUEVA

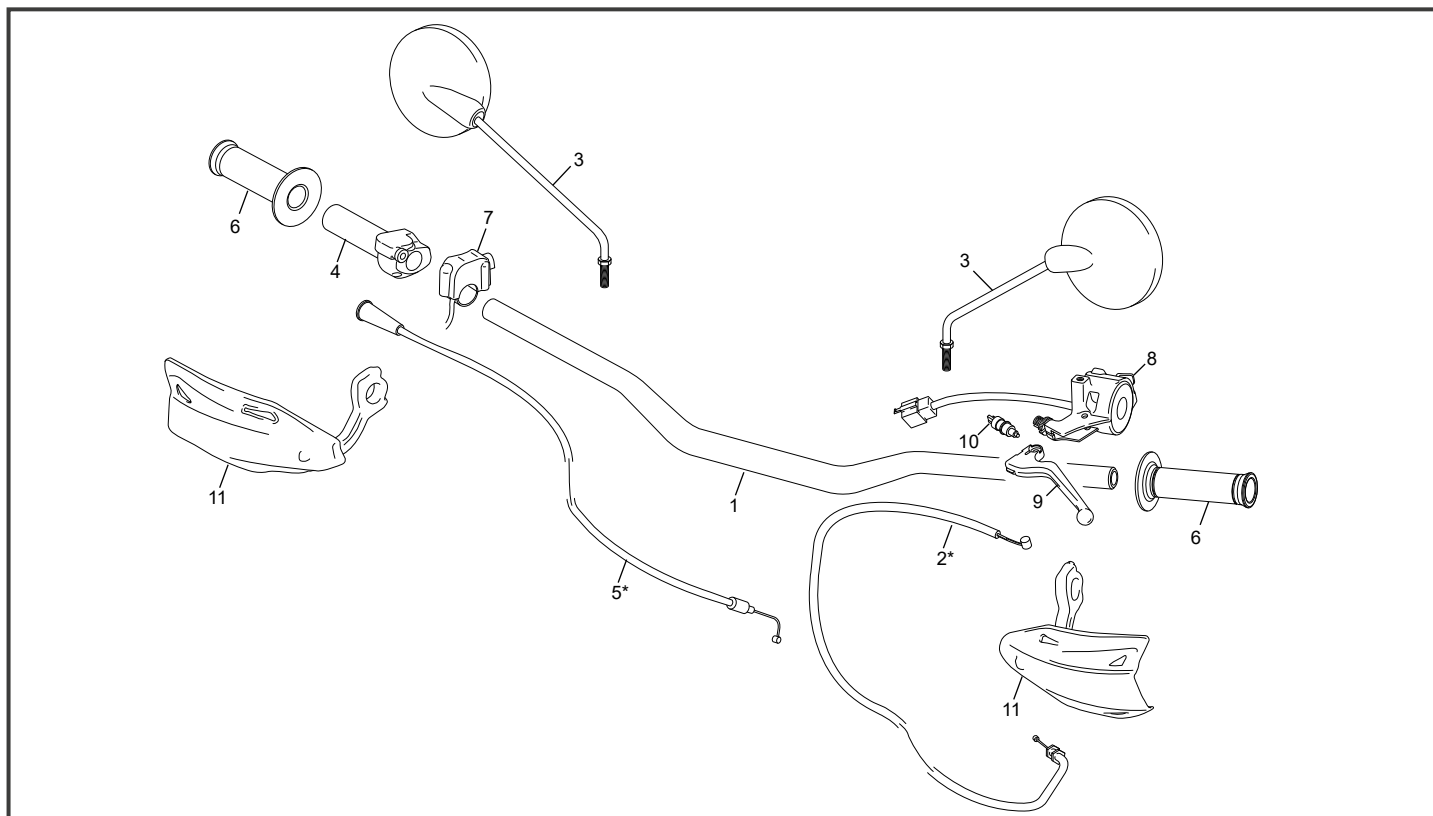
Roue arrière Rear wheel / Rueda trasera



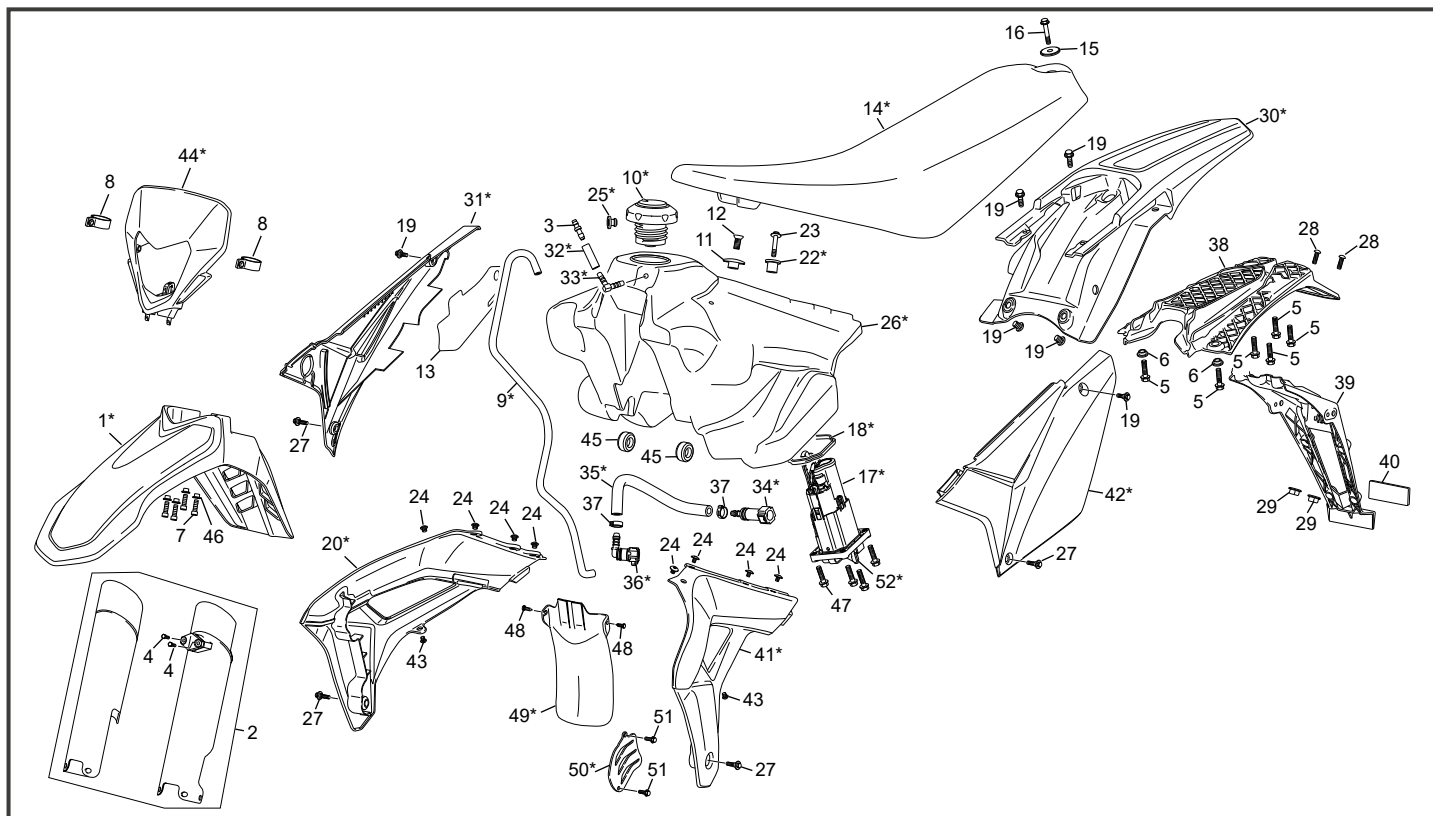
| POS. | HRD-SM-FACT-RS | HRD-SE-FACT-RS | FRANÇAIS | ENGLISH | ESPAÑOL |
|------|----------------|----------------|---|--------------------------------------|------------------------------------|
| 1 | 10512* | 10512* | AXE ROUE ARRIERE 50/125 06 | REAR AXLE | EJE RUEDA TRAS. |
| 2 | 0452 | 0452 | VIS SPECIALE DISQUE | SCREW SPECIAL BRAKE DISC | TORNILLO ESPECIAL DISCO FRENO |
| 3 | 1735 | 1735 | DISQUE FREIN ARR 50/125 06 | BRAKE DISK REAR 50/125 06 | DISCO FRENO TRAS. 50/125 06 |
| 4 | 9186 | 9186 | ROULEMENT MOYEU AR | HUB BEARING | RODAMIENTO BUJE |
| 5 | H083 | ---- | PNEU ARR SM 130/70.17 | REAR TYRE SM 130/70.17 | NEUMÁTICO TRAS. SM 130/70.17 |
| 5 | ---- | H086 | PNEU ARR END 110/80.18 | REAR TYRE SM 110/80.18 | NEUMÁTICO TRASERO END 110/80.18 |
| 6 | H082 | ---- | CHAMBRE AR. SM 400 X 17 | REAR INNER TUBE SM 400 X 17 | CÁMARA TRASERA SM 400 X 17 |
| 6 | ---- | H088 | CHAMBRE AR. END 300 X 18 | REAR INNER TUBE END 300 X 18 | CÁMARA TRASERA END 300 X 18 |
| 7 | H079 | H079 | CORDON JANTE 17 | 17 RIM RUBBER BAND | BANDA LLANTA 17 |
| 8 | M305 | M305 | ECROU NYLSTOP M8 | NUT NYLSTOP M8 | TUERCA NYLSTOP M8 |
| 9 | ---- | 7332 | COURONNE 60 D 50 SM ALUMINIUM | REAR SPROCKET 60 Z 50 SM ALU. | CORONA TRASERA 60 Z 50 SM ALUMINIO |
| 9 | 11237* | ---- | COURONNE 56 DTS 50 CC ALUMINIUM | REAR SPROCKET 56 Z 50 CC ALUMINIUM | CORONA 56 Z 50 CC ALUMINIO |
| 10 | 5607 | 5607 | VIS HEXAG 8 X 50 | SCREW 8 X 50 | TORNILLO 8 X 50 |
| 11 | 10895* | 10895* | ENTRETOISE ROUE ARRIERE | REAR WHEEL SPACER | CASQUILLO RUEDA TRASERA |
| 12 | C426 | C426 | RONDELLE M16 | WASHER M16 | ARANDELA M16 |
| 13 | C417 | C417 | ECROU NYLSTOP M16 X 150 | NUT NYLSTOP M16 X 150 | TUERCA NYLSTOP M16 X 150 |
| 14 | 10706* | ---- | CHAINE 134 SM 50 | CHAIN 134 Z 50 | CADENA 134 Z 50 |
| 14 | ---- | 11123* | CHAINE 136 SM 50 END | CHAIN 136 Z 50 ENDURO | CADENA 136 Z 50 ENDURO |
| 15 | 11040* | ---- | ROUE AR. 50 SM RAYON SANS PNEU | REAR WHEEL RAYON WITHOUT TYRE | RUEDA TRAS. RAYON SIN NEUM. |
| 15 | ---- | 10003 | ROUE AR END 50 NOIRE SANS PNEU | BLACK REAR WHEEL 50 END WITHOUT TYRE | RUEDA TRAS. END NEGRA SIN NEUM. |
| 16 | ---- | 11150* | ROUE AR END NOIRE AVEC PNEU | REAR WHEEL END BLACK WITH TYRE | RUEDA TRAS. END NEGRA CON NEUM. |
| 16 | 11151* | ---- | ROUE AR. 50 SM RAYON AVEC PNEU | REAR WHEEL 50 SM RAYON WITH TYRE | RUEDA TRAS. SM RAYON CON NEUM. |
| 17 | ---- | R363 | ENTRETOISE ARRIERE MOYEU 50 END | REAR HUB SPACER 50 END | SEPARADOR INT. BUJE TRASERA 50 END |
| 18 | 10600 | 7990 | RAYON END L216 CÔTÉ COURONNE | SPOCKE END L216 SPROCKET SIDE | RADIO END L216 CORONA |
| 19 | 10599 | 7991 | RAYON END L210 CÔTÉ DISQUE | SPOCKE END L210 DISK SIDE | RADIO END L210 DISCO |
| 20 | ---- | 3398 | ÉCROU RAYON END | NEEPLÉ SPOCKE | TUERCA RADIO |
| 21 | 10588* | 10588* | ENTRETOISE COURONNE AR 125 4T ROUE RAYONS | SPROCKET SPACER 125 4T SPOKE WHEEL | CASQUILLO CORONA 125 4T |

* NOUVELLE PIECE
NEW PART
PIEZA NUEVA

Guidon Handlebar / Manillar

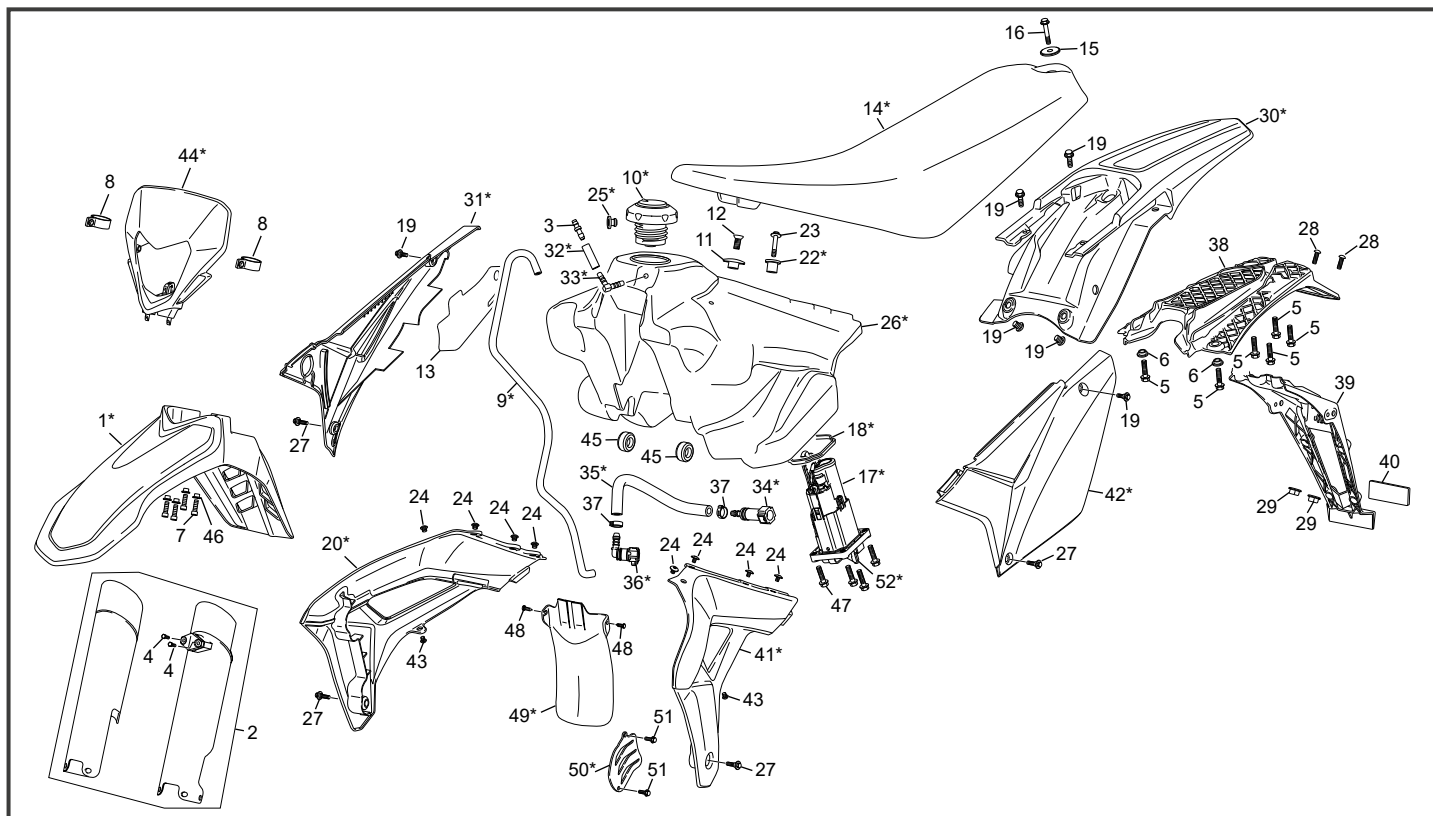


| POS. | HRD-SM-FACT-RS | HRD-SE-FACT-RS | FRANÇAIS | ENGLISH | ESPAÑOL |
|------|----------------|----------------|--------------------------------|-------------------------------|-------------------------|
| 1 | 6978 | 6978 | GUIDON NOIR ANTHRACITE END EVO | BLACK ANTHRACITE HANDLE BAR | MANILLAR ANTRACITA |
| 2 | 10852* | 10852* | CABLE EMBRAYAGE | CLUTCH CABLE | CABLE DE EMBRAGUE |
| 3 | S232 | S232 | RETROVISEUR | MIRROR | RETROVISOR |
| 4 | C074 | C074 | COMMANDE DE GAZ OXIA | THROTTLE CONTROL OXIA | MANDO DE GAS OXIA |
| 5 | 9014* | 9014* | CABLE DE GAZ | THROTTLE CABLE | CABLE DE GAS |
| 6 | 8472 | 8472 | POIGNEE 50CC | GRIP SET 50CC | JUEGO EMPUNADURAS 50CC |
| 7 | H152 | H152 | BOUTON DEMARREUR DROIT | RIGHT START ELECTRIC COMMANDS | COMANDO ARANQUE DERECHO |
| 8 | 4235 | 4235 | COCOTTE EMBRAYAGE COMPLETE | CLUTCH COMMAND COMPLETE | MANDO EMBRAGUE COMPLETO |
| 9 | 4236 | 4236 | LEVIER EMBRAYAGE | CLUTCH LEVER | MANETA DE EMBRAGUE |
| 10 | R354 | R354 | CONTACTEUR EMBRAYAGE / FREIN | BRAKE / CLUTCH SWITCH | INTERRUPTOR |
| 11 | 1034 | 1034 | PARES MAINS BLEUS JEU | HAND GUARD BLUE SET | PARA MANO AZUL JUEGO |



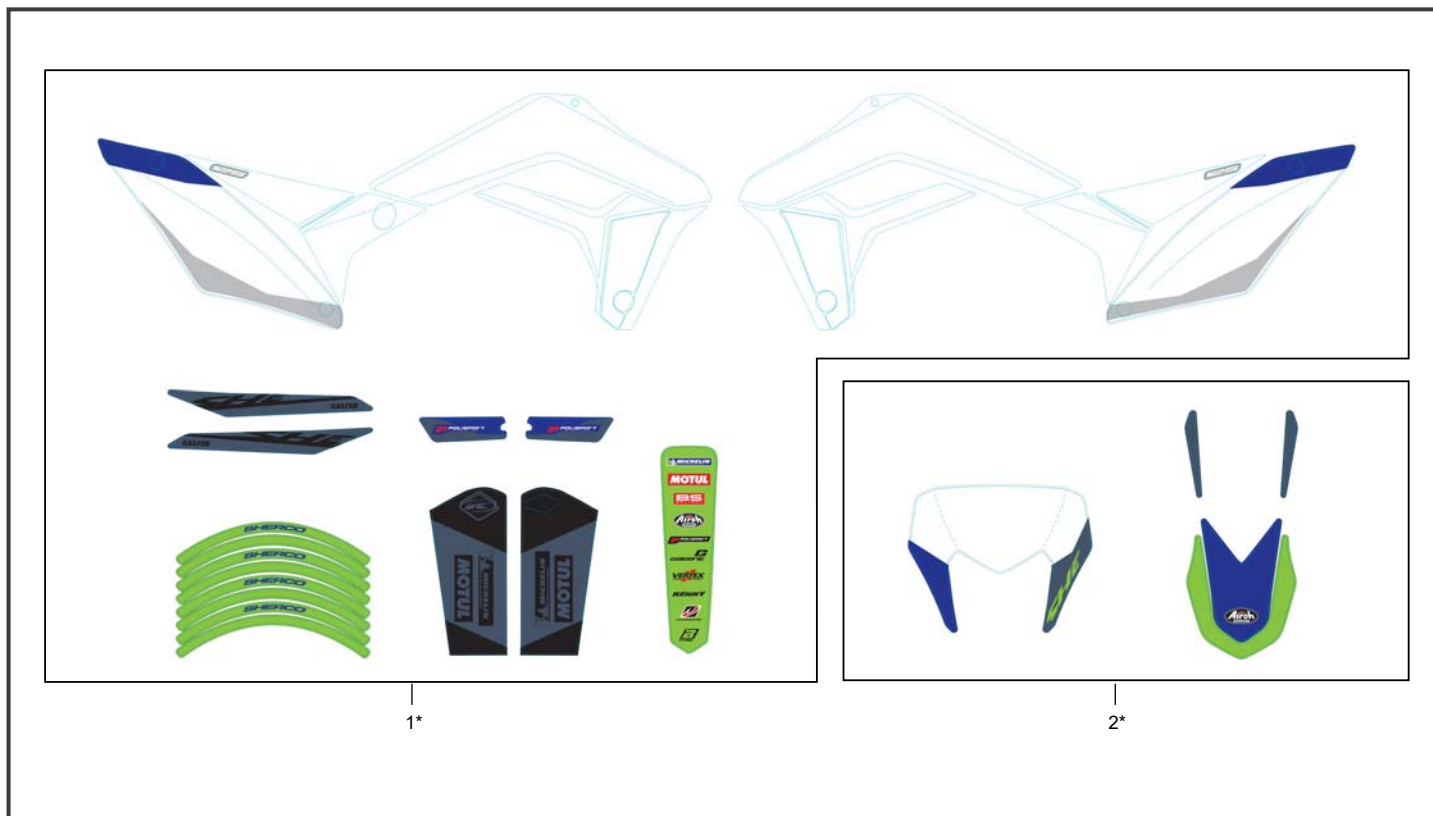
| POS. | HRD-SM-RS | BLACK MOON SM-RS | HRD-SE-RS | FRANÇAIS | ENGLISH | ESPAÑOL |
|------|-----------|------------------|-----------|---|--|---|
| 1 | 10333* | ---- | 10333* | PARE BOUE AVANT BLEU 125 4T SM | BLUE FRONT MUDGUARD 125 4T SM | GUARDABARRO AZUL 125 4T SM |
| 1 | ---- | 11089* | ---- | PARE BOUE AVANT NOIR 125 4T SM | BLACK FRONT MUDGUARD 125 4T SM | GUARDABARRO NEGRO 125 4T SM |
| 2 | 9012 | 9012 | 9012 | PROTECTEUR FOURCHE JEU | FORK PROTECTOR SET | PROTECTOR HORQUILLA JUEGO |
| 3 | 5725 | 5725 | 5725 | VALVE ANTI RETOUR PLASTIQUE | ANTI RETURN VALVE PLASTIK | ANTI RETURN VALVE PLASTIK |
| 4 | 6757 | 6757 | 6757 | VIS SPECIALE PROTECTEUR FOURCHE | FORK PROTECTOR BOLT | TORNILLO ESPECIAL PROTECTOR HORQUILLA |
| 5 | 0546 | 0546 | 0546 | VIS TH EP 6 X 20 | SCREW TH EP 6 X 20 | TORNILLO TH EP 6 X 20 |
| 6 | 3097 | 3097 | 3097 | ENTRETOISE INOX CARROSSERIE | SPACER INOX BODY | CASQUILLO INOX CARROCERÍA |
| 7 | M251 | M251 | M251 | VIS CHC 6 X 16 | SCREW CHC 6 X 16 | TORNILLO 6 X 16 |
| 8 | H050 | H050 | H050 | ELASTIQUE PLAQUE PHARE | FRONT LIGHT RUBBER BAND | ELASTICO PLACA FARO |
| 9 | 10517* | 10517* | 10517* | DURITE CANISTER VALVE | PETROL TUBE CANISTER VALVE | TUBOS GASOLINA CANISTER VALVE |
| 10 | 10331* | 10331* | 10331* | BOUCHON ESSENCE + CONTACTEUR DEM + CLES | PETROL CAP + CONTACTEUR DEM STARTER | TAPÓN GASOLINA + BLOC LLAVE ARRANQUE |
| 11 | 0497 | 0497 | 0497 | ENTRETOISE SELLE RESERVOIR | SPACER SEAT /TANK | CASQUILLO SILING DÉPÓSITO |
| 12 | 0652 | 0652 | 0652 | VIS FHC M6X25 | SCREW FHC M6X25 | TORNILLO FHC M6X25 |
| 13 | 6684 | 6684 | 6684 | PROTECTION THERMIQUE PLAQUE LATERALE | THERMIC PROTECTOR SIDE NUMBER PLATE | PROTECTOR TÉRMICO PLACA LATERAL |
| 14 | 10893* | 10893* | 10893* | SELLE NOIRE | SEAT BLACK | SILLÍN NEGRO |
| 15 | 11038* | 11038* | 11038* | ENTRETOISE AR SELLE | REAR BRACE SEAT | CASQUILLO ASIEN TO TRAS |
| 16 | 0547 | 0547 | 0547 | VIS THEP M6X30 | SCREW THEP M6X30 | TORNILLO THEP M6X30 |
| 17 | 8995* | 8995* | 8995* | POMPE A ESSENCE | FUEL PUMP | BOMBA GASOLINA |
| 18 | 11183* | 11183* | 11183* | JOINT POMPE A ESSENCE | FUEL PUMP GASKET | JUNTA BOMBA GASOLINA |
| 19 | 5201 | 5201 | 5201 | VIS THEP M6X16 | SCREW THEP M6X16 | TORNILLO THEP M6X16 |
| 20 | 9036 | ---- | 9036 | OUIE DROITE BLEUE | RADIATOR SIDE PANEL BLUE | PLACA RADIADOR I DERE AZUL |
| 20 | ---- | 11070* | ---- | OUIE DROITE NOIRE NOIRE NUE SE SEF | RADIATOR SIDE PANEL RIGHT BLACK BLACK NAKED SE SEF | PLACA RADIADOR I DERE ESE SEF DESNUDA NEGRA |
| 21 | M317 | M317 | M317 | RONDELLE M6X12 | WASHER M6X12 | ARANDELA M6X12 |
| 22 | 11142* | 11142* | 11142* | ENTRETOISE FIXATION RESERVOIR | FUEL TANK SPACER | ESPACIADOR DEPOSITO |
| 23 | 0549 | 0549 | 0549 | VIS THEP M6X45 | SCREW THEP M6X45 | TORNILLO THEP M6X45 |
| 24 | 6812 | 6812 | 6812 | VIS BHC M6X8 | SCREW BHC M6X8 | TORNILLO BHC M6X8 |
| 25 | 11112* | 11112* | 11112* | CAOUTCHOUX RENIFLARD RESERVOIR | FUEL TANK HOSE BLEEDER CAOUTCHOUX | GOMA TUBO BLOWBY DÉPÓSITO GASOLINA |
| 26 | 8993* | 8993* | 8993* | RESERVOIR ESSENCE | FUEL TANK | DÉPÓSITO GASOLINA |
| 27 | 5200 | 5200 | 5200 | VIS THEP SPECIALE M6X20 | SCREW THEP SPECIAL M6X20 | TORNILLO ESPECIAL THEP M6X20 |
| 28 | 3679 | 3679 | 3679 | VS BHC M6X20 | SCREW BHC M6X20 | TORNILLO BHC M6X20 |
| 29 | 2086 | 2086 | 2086 | ECROU M6 EMBASE LISSE | HEX NUT FLAT BASIS M6 | TUERCA CON VALONA BASE LISA |
| 30 | 7304 | ---- | 7304 | PARE BOUE ARRIERE BLEU | BLUE BACK MUDGUARD | GUARDABARRO TRA AZUL |
| 30 | ---- | 11088* | ---- | PARE BOUE ARRIERE NOIR | BLACK BACK MUDGUARD | GUARDABARRO TRA NEGRO |
| 31 | 9038 | ---- | 9038 | PLAQUE LATERALE DROITE BLEUE | SIDE NUMBER PLATE R BLUE | PLACA N° DER AZUL |
| 31 | ---- | 11073* | ---- | PLAQUE LATERALE DROITE NOIRE NOIRE NUE SE SEF | SIDE NUMBER PLATE RIGHT BLACK NAKED SE SEF | PLACA N° DERE. NEGRO NEGRO DESNUDA SE SEF |

*Sherco se réserve les droits de modification des références, merci de contrôler sur le portail Sherconetwork avant toute commande. - *Sherco reserves the right to make change on the references, please check on your Sherconetwork portal before ordering.
*Sherco se reserva el derecho para hacer modificaciones sobre las referencias. Por favor, verifica en el Sherconetwork antes de hacer un pedido.



| POS. | HRD-SM-RS | BLACK MOON SH-RS | HRD-SE-RS | FRANÇAIS | ENGLISH | ESPAÑOL |
|------|-----------|------------------|-----------|---|--|--|
| 32 | 10516* | 10516* | 10516* | DURITE RESERVOIR VALVE | PETROL TUBE TANK VALVE | TUBOS GASOLINA SREBATORION |
| 33 | 11113* | 11113* | 11113* | RACCORD RENIFLARD RESERVOIR 90° | FUEL TANK HOSE BLEEDER CONNECTOR | CONEXIÓN TUBO BLOWBY DÉPÓSITO GASOLINA |
| 34 | 10295* | 10295* | 10295* | RACCORD RAPIDE FEMELLE POMPE DROIT | FAST FUEL PUMP CONEXION FEMALE | CONECTOR TUBO RÁPIDO HEMBRA |
| 35 | 11065* | 11065* | 11065* | DURITE ESSENCE Ø6.5 X 190 | PETROL TUBE Ø6.5 X 190 | TUBO GASOLINA Ø6.5 X 190 |
| 36 | 10958* | 10958* | 10958* | RACCORD RAPIDE ESSENCE 90° | FAST FUEL CONNECTOR 90° | CONECTOR GASOLINA RÁPIDO 90° |
| 37 | H263 | H263 | H263 | COLLIER CLIC 66/125 13.5 | COLLAR 66/125 13.5 | ABRAZADERA 66/125 13.5 |
| 38 | 6512 | 6512 | 6512 | BAVETTE FEU AR | REAR NUMBER PLATE HOLDER | PORTAMATRÍCULA TRASERO |
| 39 | 3549 | 3549 | 3549 | SUPPORT PLAQUE IMMATRICULATION | SUPPORT NUMBER PLATE | SOPORTE PLACA IMMATRICULACIÓN |
| 40 | 1526 | 1526 | 1526 | CATADIOPTRE ROUGE AR | REAR RED REFLECTORS | REFLECTORES ROJO TRAS. |
| 41 | ---- | 11071* | ---- | OUIE GAUCHE NOIRE | RADIATOR SIDE PANEL L BLACK | PLACA RADIADOR IZQU. NEGRO |
| 41 | 9037 | ---- | 9037 | OUIE GAUCHE BLEUE | RADIATOR SIDE PANEL L BLUE | PLACA RADIADOR IZQU. AZUL |
| 42 | ---- | 11072* | ---- | PLAQUE LATERALE GAUCHE NOIRE NOIRE NUE SE SEF | SIDE NUMBER PLATE L BLACK NAKED SE SEF | PLACA NO IZQ. NEGRO |
| 42 | 9039 | ---- | 9039 | PLAQUE LATERALE GAUCHE BLEUE | SIDE NUMBER PLATE L BLUE | PLACA NO IZQ. AZUL |
| 43 | 3554 | 3554 | 3554 | VIS BHC 6 X 8 EMBASE | SCREW BHC 6 X 8 | TORNILLO 6 X8 BHC |
| 44 | ----- | 11090* | ----- | PLAQUE PHARE NOIRE | FRONT LIGHT PLASTIC SE SEF 2024 BLACK | PLACA FARO SE SEF 2024 NEGRO |
| 44 | 11561* | ---- | 11561* | PLAQUE PHARE BLANCHE SE SEF 2024 | FRONT LIGHT PLASTIC SE SEF 2024 WHITE | PLACA FARO SE SEF 2024 BLANCO |
| 45 | H051 | H051 | H051 | BUTEE RESERVOIR 125 | PETROL TANK STOPPER 125 | TOPE DÉPÓSITO 125 |
| 46 | 6756 | 6756 | 6756 | ENTRETOISE PROTECTION FOURCHE | SPACER BODY | CASQUILLO CARROCERÍA |
| 47 | 0554 | 0554 | 0554 | VIS TH EP 5 X 20 | SCREW TH EP 5 X 20 | TORNILLO TH EP 5 X 20 |
| 48 | 3555 | 3555 | 3555 | VIS PLASTIQUE DELTA 5 X18 | PLASTIC SCREW 5 X18 | TORNILLO PLASTICO 5X18 |
| 49 | 10513* | 10513* | 10513* | BAVETTE DE FILTRE 125 4T | BAVETTE FILTRE 125 4T | BAVETTE FILTRO 125 4T |
| 50 | 10705* | 10705* | 10705* | CACHE PIGNON ALU SH125 | DRIVE SPROCKET PROTECTOR SH125 | PROTECTOR PIÑÓN SALIDA SH125 |
| 51 | 0656 | 0656 | 0656 | VIS TH EP 6 X 16 | SCREW TH EP 6 X 16 | TORNILLO TH EP 6 X 16 |
| 52 | 11611* | 11611* | 11611* | RACCORD 90° SORTIE POMPE ESSENCE SC ST '23 | FUEL CONNECTOR 90° PUMP SC ST '23 | CONECTOR 90° SALIDA BOMBA GASOLINA SC ST '23 |

* NOUVELLE PIECE
NEW PART
PIEZA NUEVA

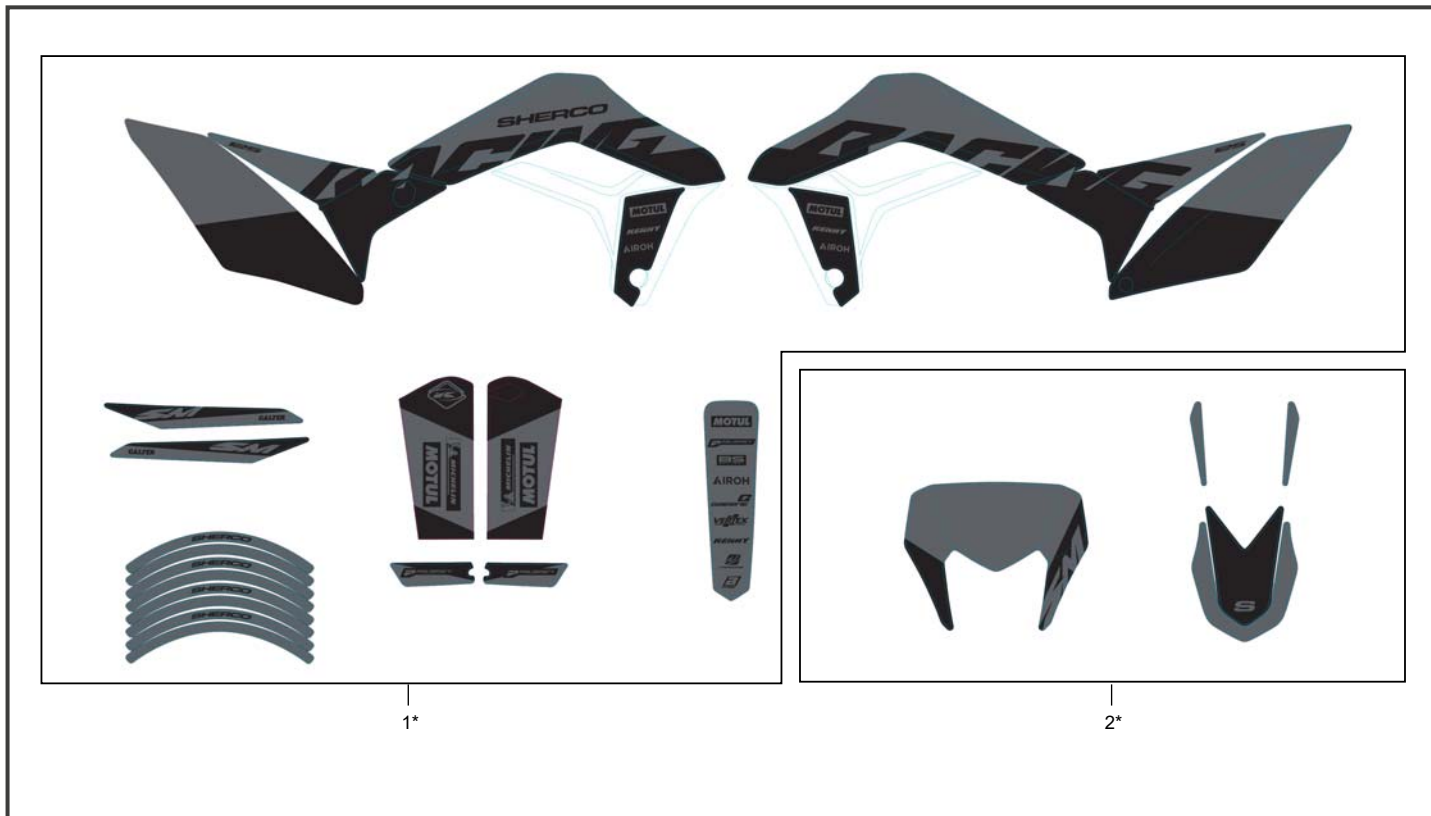


| POS. | HRD-SM-RS | HRD-SE-RS | FRANÇAIS | ENGLISH | ESPAÑOL |
|------|-----------|-----------|--|--|--|
| 1 | 11080* | 11093* | KIT ADHESIF SHERCO 125 4T SM FACTORY RS 2023 | PRODUCTION STICKER SHERCO 125 4T SM FACTORY RS 2023 | PRODUCCIÓN KIT SHERCO 125 4T SM FACTORY RS 2023 |
| 2 | 11568* | 11568* | KIT ADHESIF PLAQUES PHARE GB AV 125 4T FACTORY | FRONT LIGHT PLATE AND MUDGARD STICKER KIT 125 4T FACTORY | PLACA GARDABARO DELANTERO KIT ADHESIVOS 125 4T FACTORY |

* NOUVELLE PIECE
NEW PART
PIEZA NUEVA

*Sherco se réserve les droits de modification des références, merci de contrôler sur le portail Sherconetwork avant toute commande. - *Sherco reserves the right to make change on the references, please check on your Sherconetwork portal before ordering.
*Sherco se reserva el derecho para hacer modificaciones sobre las referencias. Por favor, verifica en el Sherconetwork antes de hacer un pedido.

**Adhésif BLACK MOON
Sticker BLACK MOON / Adhesivo BLACK MOON**

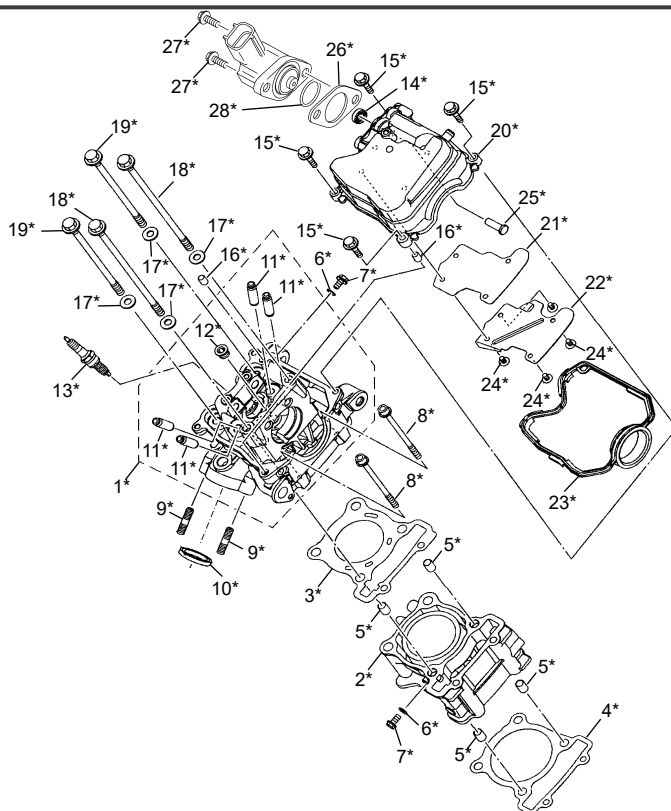


| POS. | BLACK MOON SM-RS | FRANÇAIS | ENGLISH | ESPAÑOL |
|------|------------------|---|---|---|
| 1 | 11081* | KIT ADHESIF SHERCO 125 4T SM BLACK MOON RS 2023 | PRODUCTION STICKER SHERCO 125 4T SM GREY RS 2023 | PRODUCCIÓN KIT SHERCO 125 4T SM GREY RS 2023 |
| 2 | 11569* | KIT ADHESIF PLAQUES PHARE GB AV 125 4T BLACK MOON | FRONT LIGHT PLATE AND MUDGARD STICKER KIT 125 4T BLACK MOON | PLACA GARDABARO DELANTERO KIT ADHESIVOS 125 4T BLACK MOON |

* NOUVELLE PIECE
NEW PART
PIEZA NUEVA

*Sherco se réserve les droits de modification des références, merci de contrôler sur le portail Sherconetwork avant toute commande. - *Sherco reserves the right to make change on the references, please check on your Sherconetwork portal before ordering.
*Sherco se reserva el derecho para hacer modificaciones sobre las referencias. Por favor, verifica en el Sherconetwork antes de hacer un pedido.

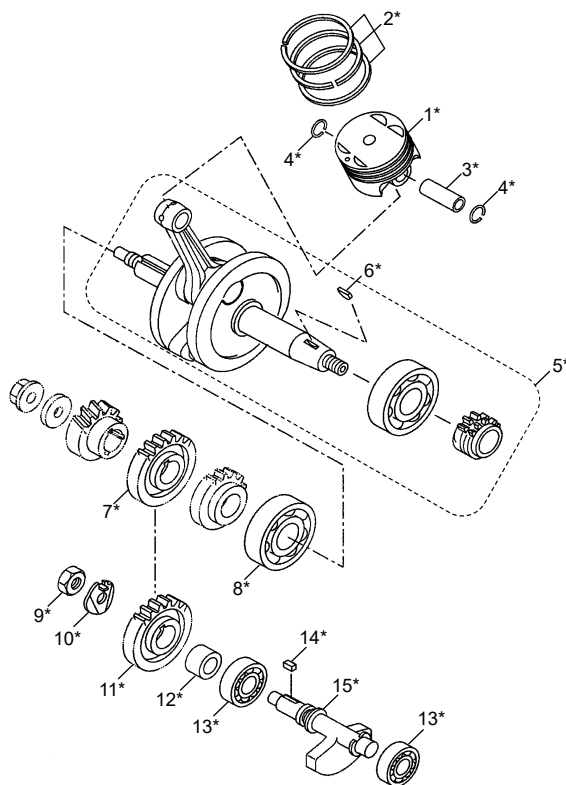
Cylindre-Culasse Cylinder-Cylinder head / Cilindro-Culata



| POS. | HRD-SM-FACT-RS | HRD-SE-FACT-RS | FRANÇAIS | ENGLISH | ESPAÑOL |
|------|----------------|----------------|------------------------------------|-------------------------------------|--------------------------------------|
| 1 | 11252* | 11252* | CULASSE ASSEMBLE | CYL.HEAD ASSY | CULATA CONJUNTO |
| 2 | 11249* | 11249* | CYLINDRE D.52 | CYLINDER D.52 | CILINDRO D.52 |
| 3 | 10784* | 10784* | JOINT DE CULASSE | CILINDER HEAD GASKET | JUNTA CULATA |
| 4 | 10783* | 10783* | JOINT EMBASE CYL | CILYNDER BASE GASKET | JUNTA BASE CILINDRO |
| 5 | 11350* | 11350* | GOUPILLE GOUJON D.10X14-INT.D.8,5 | PIN DOWEL | PERNO DE PASADOR D.10X14-INT.D.8,5 |
| 6 | 11431* | 11431* | JOINT D 6X11X1 | GASKET D 6X11X1 | JUNTA D 6X11X1 |
| 7 | 11411* | 11411* | VIS M6X10 | BOLT M6X10 | TORNILLO M6X10 |
| 8 | 11412* | 11412* | VIS M6X100 | BOLT HEX.SOCKET M6X10 | TORNILLO M6X10 |
| 9 | 11397* | 11397* | GOUJON CYLINDRRE M8X34 | BOLT STUD M8X34 | ESPARRAGO CILINDRO M8X34 |
| 10 | 10780* | 10780* | JOINT D' ECHAPPEMENT | EXHAUST GASKET | JUNTA ESCAPE |
| 11 | 11331* | 11331* | GUIDE DE SOUPEPE | GUIDE VALVE | GUIA VALVOLA |
| 12 | 11382* | 11382* | BOUCHON DE VIS | PLUG STRAIGHT SCREW | TAPÓN DE TORNILLO |
| 13 | 11254* | 11254* | BOUGIE MR8E-9 | PLUG SPARK MR8E-9 | BUJIA MR8E-9 |
| 14 | 11469* | 11469* | JOINT SPI D.18X6,8X6 | SEAL OIL D.18X6,8X6 | RETÉN D.18X6,8X6 |
| 15 | 11430* | 11430* | VIS M6X30 | BOLT FLG SMALL HEAD M6X30 | BOLT FLG SMALL HEAD M6X30 |
| 16 | 11351* | 11351* | GOUPILLE GOUJON 8X12 POMPE A HUILE | PIN DOWEL | PERNO DE PASADOR 8X12 BOMBA GASOLINA |
| 17 | 11400* | 11400* | RONDELLE D.18X8,2X1,6 | WASHER PLAIN D.18X8,2X1,6 | ARANDELA D.18X8,2X1,6 |
| 18 | 11439* | 11439* | VIS M8X1,25 L=200 | BOLT CYLINDER HOLDING M8X1,25 L=200 | TORNILLO M8X1,25 L=200 |
| 19 | 11440* | 11440* | VIS M8X1,25 L=155 | VIS M8X1,25 L=155 | TORNILLO M8X1,25 L=155 |
| 20 | 11282* | 11282* | COUVERCLE DE CULASSE | CYLINDER HEAD COVER | TAPA DE CULATA |
| 21 | 11452* | 11452* | JOINT DE COUVERCLE | GASKET BREATHER COVER | JUNTA TAPA |
| 22 | 11435* | 11435* | VIS M5X8 | SCREW M5X8 | TORNILLO M5X8 |
| 23 | 10781* | 10781* | JOINT DE COUVRE CULASSE | ROCKER ARM COVER GASKET | JUNTA TAPA BALANÇÍN |
| 24 | 11435* | 11435* | VIS M5X8 | SCREW M5X8 | TORNILLO M5X8 |
| 25 | 11361* | 11361* | TIGE DE POUSSE BALANCIER | ROD 1 | TIJA PULSADOR BALANCE |
| 26 | 11464* | 11464* | JOINT | GASKET | JUNTA |
| 27 | 11443* | 11443* | VIS TE M6X16 | BOLT FLG. DEEP RECESS M6X16 | TORNILLO TE M6X16 |
| 28 | 11455* | 11455* | JOINT TORIQUE D.20,8X2,4 | O-RING D.20,8X2,4 | ANILLO D.20,8X2,4 |

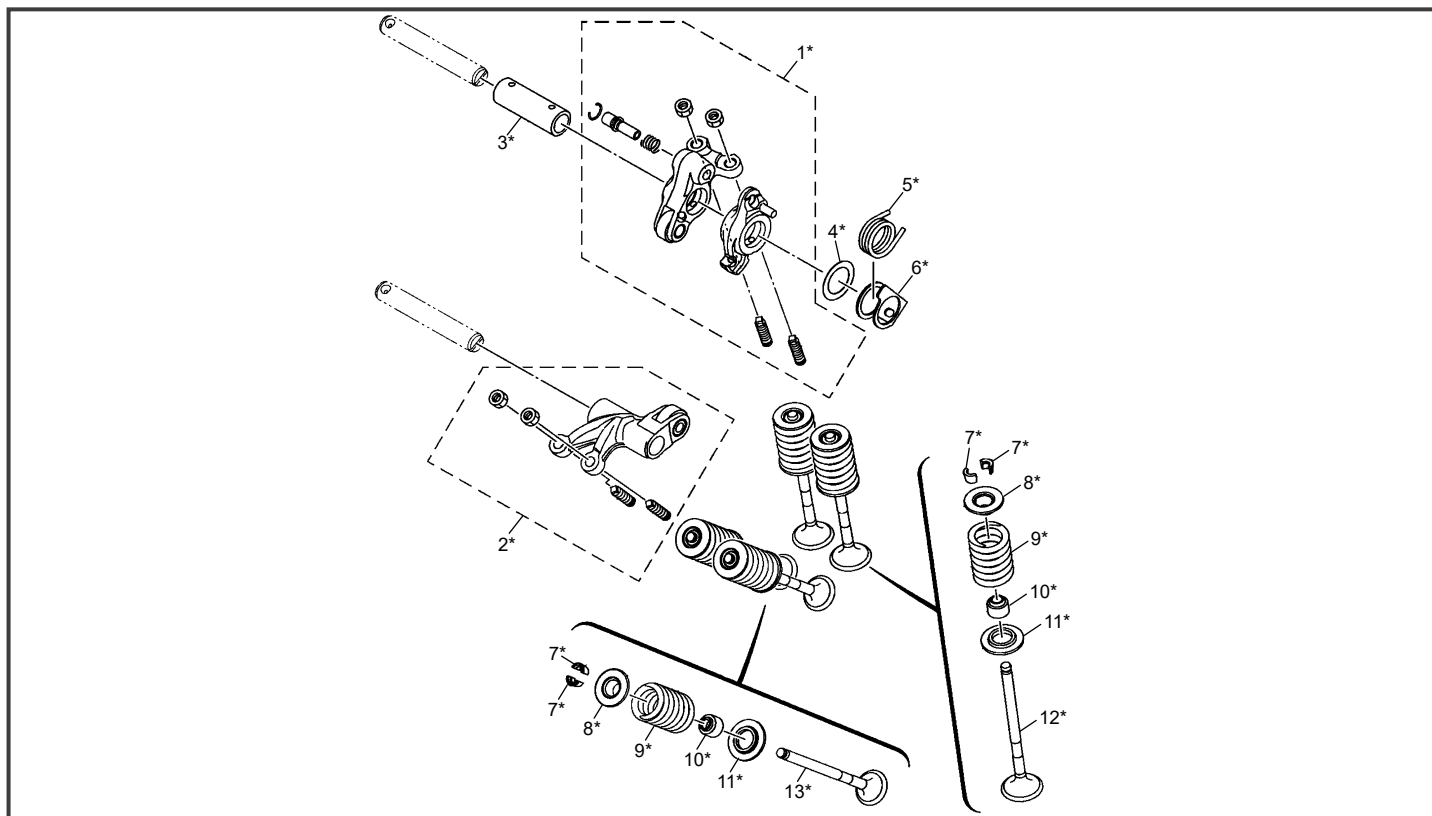
* NOUVELLE PIECE
NEW PART
PIEZA NUEVA

Vilebrequin assemblé Crankshaft assy / Cigüeñal



| POS. | HRD-SM-FACT-RS | HRD-SE-FACT-RS | FRANÇAIS | ENGLISH | ESPAÑOL |
|------|----------------|----------------|---|-------------------------------|---------------------------------|
| 1 | 11251* | 11251* | PISTON D.52 | PISTON D.52 | PISTÓN D.52 |
| 2 | 11269* | 11269* | KIT SEGMENTS D.52 | PISTON RING SET D.52 | KIT ARO D.52 |
| 3 | 11359* | 11359* | AXE DE PISTON | PIN PISTON | BULON PISTÓN |
| 4 | 11373* | 11373* | CIRCLIP PISTON | CIRCLIP | CIRCLIP PISTÓN |
| 5 | 11263* | 11263* | VILEBREQUIN ASSEMBLE | CANKSHAFT ASSY | CIGÜENAL COMPLETO |
| 6 | 11392* | 11392* | CLAVETTE DEMI LUNE | KEY WOODRUFF | CHAVETA MEDIALUNA |
| 7 | 11312* | 11312* | PIGNON ENTRAINANT BALANCIER | GEAR DRIVE | PIÑÓN ENTRANAMIENTO EJE EQUILIB |
| 8 | 11335* | 11335* | ROULEMENT A BILLES VILEBREQUIN D.25X62X17 | CRANKSHAFT BEARING D.25X62X17 | COJINETE CIGÜENAL D.25X62X17 |
| 9 | 11394* | 11394* | ECROU M10X1 H=8 CH=19 | NUT HEX. M10X1 H=8 CH=19 | TUERCA M10X1 H=8 CH=19 |
| 10 | 11399* | 11399* | RONDELLE 10,2X28X0,8 | WASHER TONGUED 10,2X28X0,8 | ARANDELA 10,2X28X0,8 |
| 11 | 11313* | 11313* | PIGNON BALANCIER | GEAR BALANCE WEIGHT | PIÑÓN EJE EQUILIBRA |
| 12 | 11402* | 11402* | COLLIER | COLLAR | ABRAZADERA |
| 13 | 11336* | 11336* | ROULEMENT A BILLES VILEBREQUIN D.17X40X12 | CRANKSHAFT BEARING D.17X40X12 | COJINETE CIGÜENAL D.17X40X12 |
| 14 | 11390* | 11390* | CLAVETTE 5X5X6 | KEY, STRAIGHT 5X5X6 | CHAVETA 5X5X6 |
| 15 | 11276* | 11276* | AXE BALANCIER | COUNTER WEIGHT SHAFT | EJE EQUILIBRA |

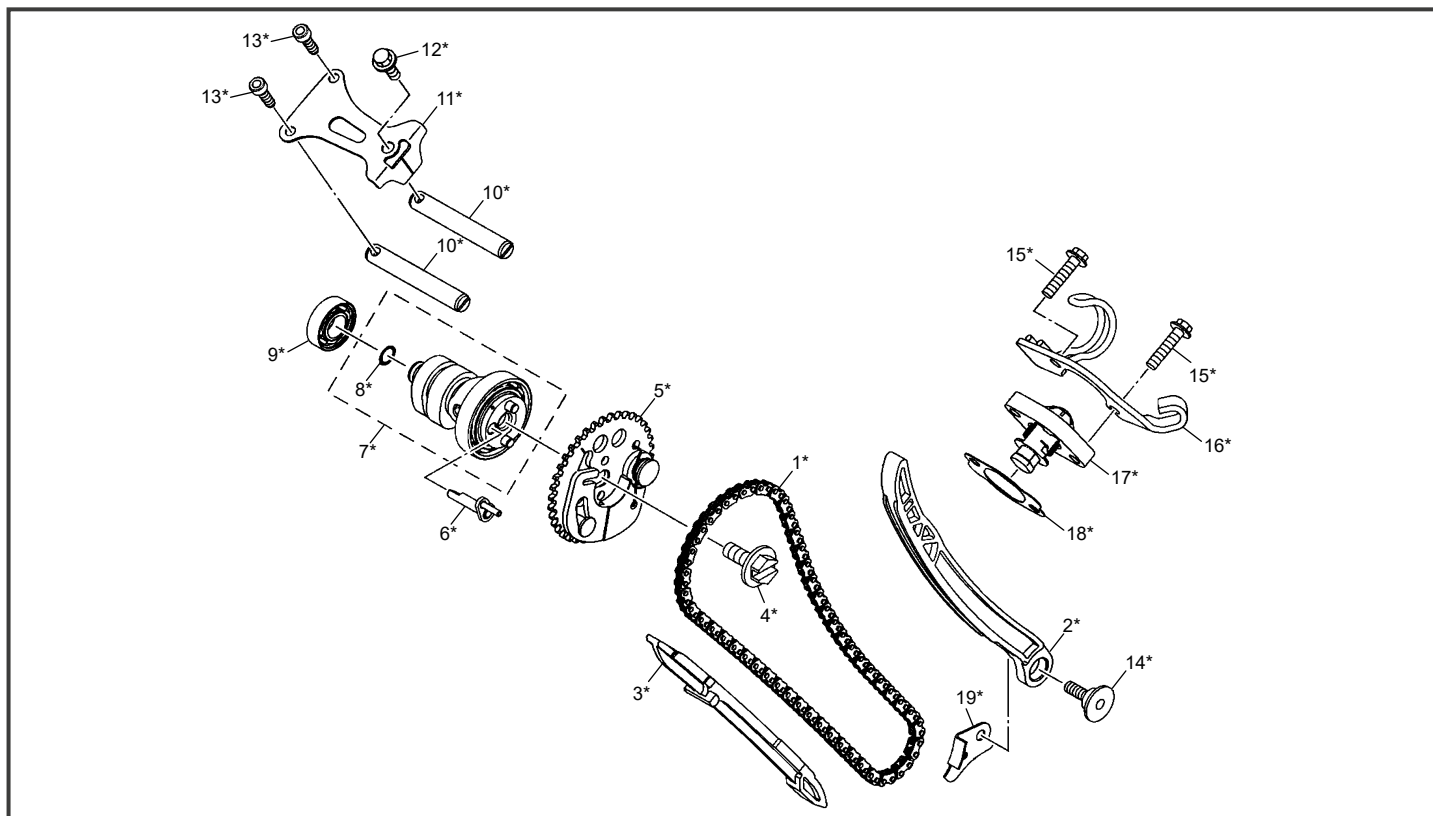
* NOUVELLE PIECE
NEW PART
PIEZA NUEVA



| POS. | HRD-SM-FACT-RS | HRD-SE-FACT-RS | FRANÇAIS | ENGLISH | ESPAÑOL |
|------|----------------|----------------|--------------------------------|------------------------------------|--|
| 1 | 11370* | 11370* | ENSEMBLE CULBUTEUR ADMISSION | ARM ROCKER 1 | CONJUNTO BALANCÍN DE ADMISIÓN |
| 2 | 11371* | 11371* | ENSEMBLE CULBUTEUR ECHAPPEMENT | ARM ROCKER 2 | CONJUNTO BALANCÍN DE ESCAPE |
| 3 | 11451* | 11451* | ARBRE DE BALANCIER | SHAFT ROCKER 3 | EJE BALANCÍN |
| 4 | 11437* | 11437* | RONDELLE D.21X15X2,3 | WASHER 1 D.21X15X2,3 | ARANDELLA D.21X15X2,3 |
| 5 | 11318* | 11318* | RESSORT DECOMPRESSEUR | DECOMPRESSOR SPRING | MUELLE DE DECOMPRESOR |
| 6 | 11389* | 11389* | PLAQUE | PLATE | PLACA |
| 7 | 11372* | 11372* | BAGUE DE RESSORT | LOCK VALVE SPRING | ANILLO MUELLE |
| 8 | 11294* | 11294* | COUPELLE RESSORT SOUPAPE SUP | SEAT VALVE SPRING UPPER | RETÉNEDOR MUELLE VÁLVULA SUP |
| 9 | 11317* | 11317* | RESSORT DE SOUPAPE | INTAKE VALVE SPRING | MUELLE VÁLVULA |
| 10 | 11454* | 11454* | LARMIER SOUPAPE D.4,5X10,5X8,2 | SEAL VALVE STEM OIL D.4,5X10,5X8,2 | SELLO DE ACEITE VÁLVULA D.4,5X10,5X8,2 |
| 11 | 11293* | 11293* | COUPELLE RESSORT SOUPAPE INF | SEAT VALVE SPRING LOWER | RETÉNEDOR MUELLE VÁLVULA INF |
| 12 | 11364* | 11364* | SOUPAPE ADMISSION | INTAKE VALVE | VÁLVULA ADMISIÓN |
| 13 | 11363* | 11363* | SOUPAPE ECHAPPEMENT | EXHAUST VALVE | VÁLVULA ESCAPE |

* NOUVELLE PIECE
NEW PART
PIEZA NUEVA

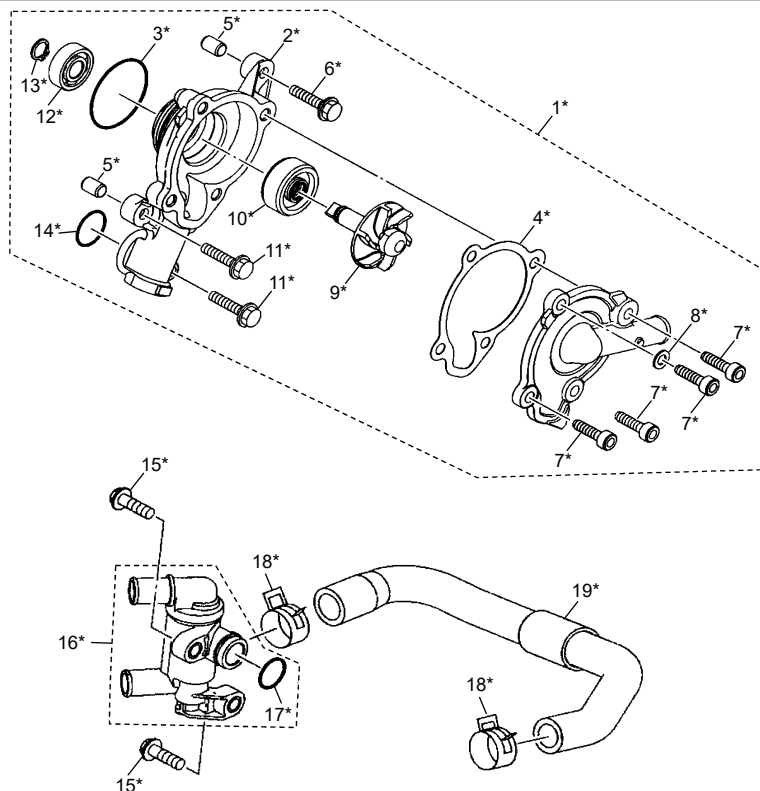
Systeme distribution Distribution system / Sistema de distribución



| POS. | HRD-SM-FACT-RS | HRD-SE-FACT-RS | FRANÇAIS | ENGLISH | ESPAÑOL |
|------|----------------|----------------|------------------------------|-----------------------------|------------------------------|
| 1 | 11255* | 11255* | CHAÎNE DE DISTRIBUTION | TIMING CHAIN | CADENA DITRIBUCION |
| 2 | 11381* | 11381* | PATIN TENDEUR DE CHAÎNE | GUIDE STOPPER 2 | TOPE DE GUIA |
| 3 | 11380* | 11380* | PATIN GUIDE CHAÎNE | GUIDE STOPPER 1 | TOPE DE GUIA |
| 4 | 11410* | 11410* | VIS M8X1,25 | BOLT M8X1,25 | TORNILLO M8X1,25 |
| 5 | 11310* | 11310* | DECOMPRESSEUR COMPLET | DECOMPR.ASSY | DECOMPRESSOR COMPLETO |
| 6 | 11360* | 11360* | CAME POUR DECOMPRESSEUR | CAM,DECOMPR. | LEVA PARA DECOMPRESOR |
| 7 | 11369* | 11369* | ENSEMBLE ARBRE A CAME | CAMSHAFT ASSY 1 | CONJUNTO ARBOL DE LEVAS |
| 8 | 11345* | 11345* | JOINT TORIQUE OR D.8,8X1,9 | O-RING D.8,8X1,9 | JUNTA TORICA OR D.8,8X1,9 |
| 9 | 11450* | 11450* | ROULEMENT A BILLES D.12X28X8 | BEARING D.12X28X8 | RODAMIENTO D.12X28X8 |
| 10 | 11349* | 11349* | AXE CULBUTEUR | ROCKER SHAFT | EJE DE BALANCIRES |
| 11 | 11384* | 11384* | PLAQUE | PLATE | PLACA |
| 12 | 11429* | 11429* | VIS M6X14 | BOLT FLG SMALL HEAD M6X14 | TORNILLO M6X14 |
| 13 | 11441* | 11441* | VIS M5X16 | BOLT HEX. SOCKET M5X16 | TORNILLO M5X16 |
| 14 | 11421* | 11421* | VIS | BOLT | TORNILLO |
| 15 | 11406* | 11406* | VIS M6X25 | BOLT M6X25 FLG. DEEP RECESS | TORNILLO M6X25 |
| 16 | 11385* | 11385* | PATTE MAINTIENT FAISCEAU | HOLDER CLUTCH & WIRE | PATA SUPORTE CABLE |
| 17 | 11268* | 11268* | TENDEUR DE CHAÎNE DISTRI | TIMING CHAIN TENSIONER | ENSOR DE CADENA DISTRIBUCION |
| 18 | 11341* | 11341* | JOINT TENDEUR DE CHAÎNE | GASKET TENSIONER CASE 1 | JUNTA TENSOR |
| 19 | 11258* | 11258* | PROTECTION DE CHAÎNE | CHAIN PROTECTOR | PROTECTOR DE CADENA |

* NOUVELLE PIECE
NEW PART
PIEZA NUEVA

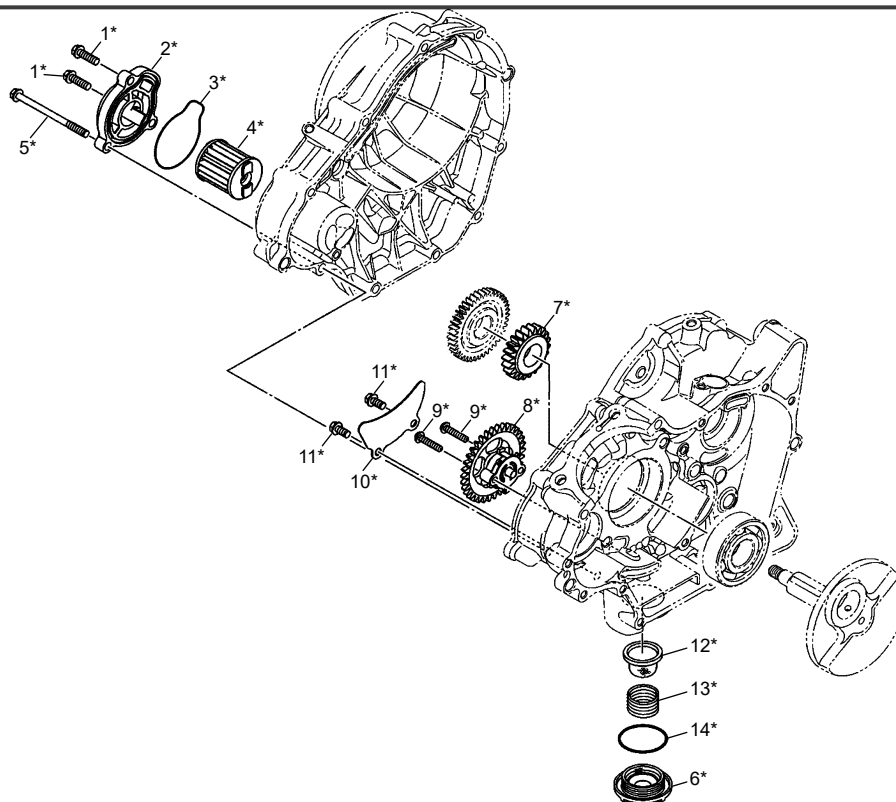
Pompe à eau Water pump / Bomba de agua



| POS. | HRD-SM-FACT-RS | HRD-SE-FACT-RS | FRANÇAIS | ENGLISH | ESPAÑOL |
|------|----------------|----------------|------------------------------|-----------------------------|----------------------------|
| 1 | 11362* | 11362* | POMPE A EAU | WATER PUMP ASSY | BOMBA DE AGUA |
| 2 | 11365* | 11365* | CACHE CULASSE CYLINDRE | COVER CYLINDER HEAD SID | TAPA CULATA LATERAL |
| 3 | 11458* | 11458* | JOINT TORIQUE | O-RING | ANILLO |
| 4 | 11340* | 11340* | JOINT CARTER POMPE A EAU | GASKET HOUSING COVER 2 | JUNTA BOMBA DE AGUA |
| 5 | 11351* | 11351* | GOUPILLE GOUJON 8X12 | PIN DOWEL 8X12 | CASQUILLO DE CENTRAJE 8X12 |
| 6 | 11406* | 11406* | VIS M6X25 | BOLT M6X25 FLG. DEEP RECESS | TORNILLO M6X25 |
| 7 | 11438* | 11438* | VIS M6X20 | BOLT HEX. SOCKET HEAD M6X20 | TORNILLO M6X20 |
| 8 | 11431* | 11431* | JOINT D 6X11X1 | GASKET D 6X11X1 | JUNTA D 6X11X1 |
| 9 | 11348* | 11348* | TURBINE DE POMPE A EAU | IMPELLER SHAFT ASSY | TURBINA DE BOMBA DE AGUA |
| 10 | 11468* | 11468* | JOINT SPI D.10X31X13,5 | SEAL D.10X31X13,5 | RETÉN D.10X31X13,5 |
| 11 | 11406* | 11406* | VIS M6X25 | BOLT M6X25 FLG. DEEP RECESS | TORNILLO M6X25 |
| 12 | 11448* | 11448* | ROULEMENT A BILLES D.10X26X8 | BEARING D.10X26X8 | RODAMIENTO D.10X26X8 |
| 13 | 11374* | 11374* | CIRCLIP | CIRCLIP | CIRCLIP |
| 14 | 11460* | 11460* | JOINT TORIQUE D. 19X2,4 | O-RING D. 19X2,4 | ANILLO D. 19X2,4 |
| 15 | 11418* | 11418* | VIS M6X20 | BOLT M6X20 FLG. DEEP RECESS | TORNILLO M6X20 |
| 16 | 10782* | 10782* | CALORSTAT 125 4T MINA | CALORSTAT 125 4T MINA | CALORSTAT 125 4T MINA |
| 17 | 11461* | 11461* | JOINT TORIQUE | O-RING | ANILLO |
| 18 | 11326* | 11326* | COLLIER DE SERRAGE | COLLAR WATER PIPE | ABRAZADERA |
| 19 | 11286* | 11286* | DURITE REFROIDISSEMENT | COOLING PIPE | TUBO DE REFRIGERACION |

* NOUVELLE PIECE
NEW PART
PIEZA NUEVA

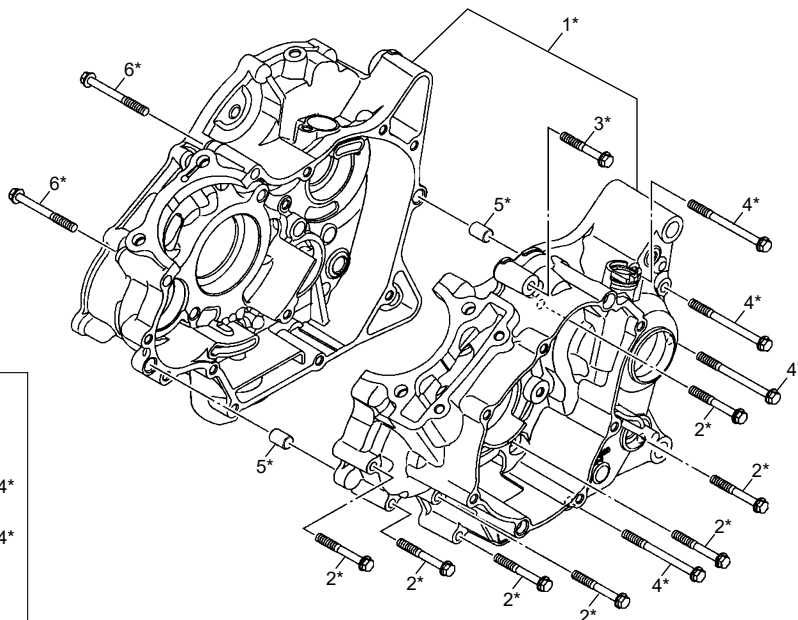
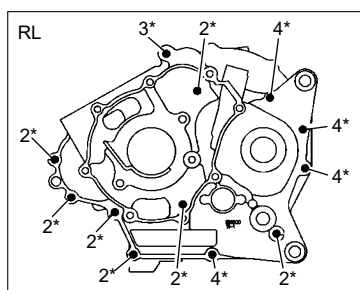
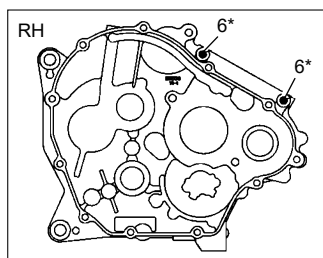
Pompe à huile Oil pump / Bomba de aceite



| POS. | HRD-SM-FACT-RS | HRD-SE-FACT-RS | FRANÇAIS | ENGLISH | ESPAÑOL |
|------|----------------|----------------|-----------------------------------|-----------------------------|---------------------------|
| 1 | 11418* | 11418* | VIS M6X20 | BOLT M6X20 FLG. DEEP RECESS | TORNILLO M6X20 |
| 2 | 11284* | 11284* | COUVERCLE FILTRE A HUILE | OIL FILTER COVER | TAPA FILTRO ACEITE |
| 3 | 11456* | 11456* | JOINT TORIQUE D.53,6X2,4 | O-RING D.53,6X2,4 | ANILLO D.53,6X2,4 |
| 4 | 10787* | 10787* | FILTRE A HUILE PAPIER 125 4T MINA | OIL FILTER 125 4T MINA | FILTRO ACEITE 125 4T MINA |
| 5 | 11419* | 11419* | VIS M6X80 | BOLT M6X80 FLG. DEEP RECESS | TORNILLO M6X80 |
| 6 | 11281* | 11281* | BOUCHON CREPINE | PLUG DRAIN 1 | TAPÓN ACEITE |
| 7 | 11315* | 11315* | PIGNON DE POMPE A HUILE | OIL PUMP GEAR DRIVE | PIÑÓN BOMBA ACEITE |
| 8 | 11266* | 11266* | POMPE A HUILE COMPLETE | OIL PUMP ASSY | BOMBA DE ACEITE |
| 9 | 11413* | 11413* | VIS M5X25 | BOLT HEX.SOCKET HEAD M5X25 | TORNILLO M5X25 |
| 10 | 11283* | 11283* | PLAQUE POMPE A HUILE | OIL PUMP PLATE | PLACA BOMBA ACEITE |
| 11 | 11407* | 11407* | VIS M6X12 | BOLT M6X12 FLG. DEEP RECESS | TORNILLO M6X12 |
| 12 | 11267* | 11267* | CREPINE D'HUILE | STRAINER OIL | CREPINA ACEITE |
| 13 | 11316* | 11316* | RESSORT FILTRE A HUILE | OIL FILTER SPRING | MUELLE FILTRO ACEITE |
| 14 | 11459* | 11459* | JOINT TORIQUE D.33,7X3,5 | O-RING D.33,7X3,5 | ANILLO D.33,7X3,5 |

* NOUVELLE PIECE
NEW PART
PIEZA NUEVA

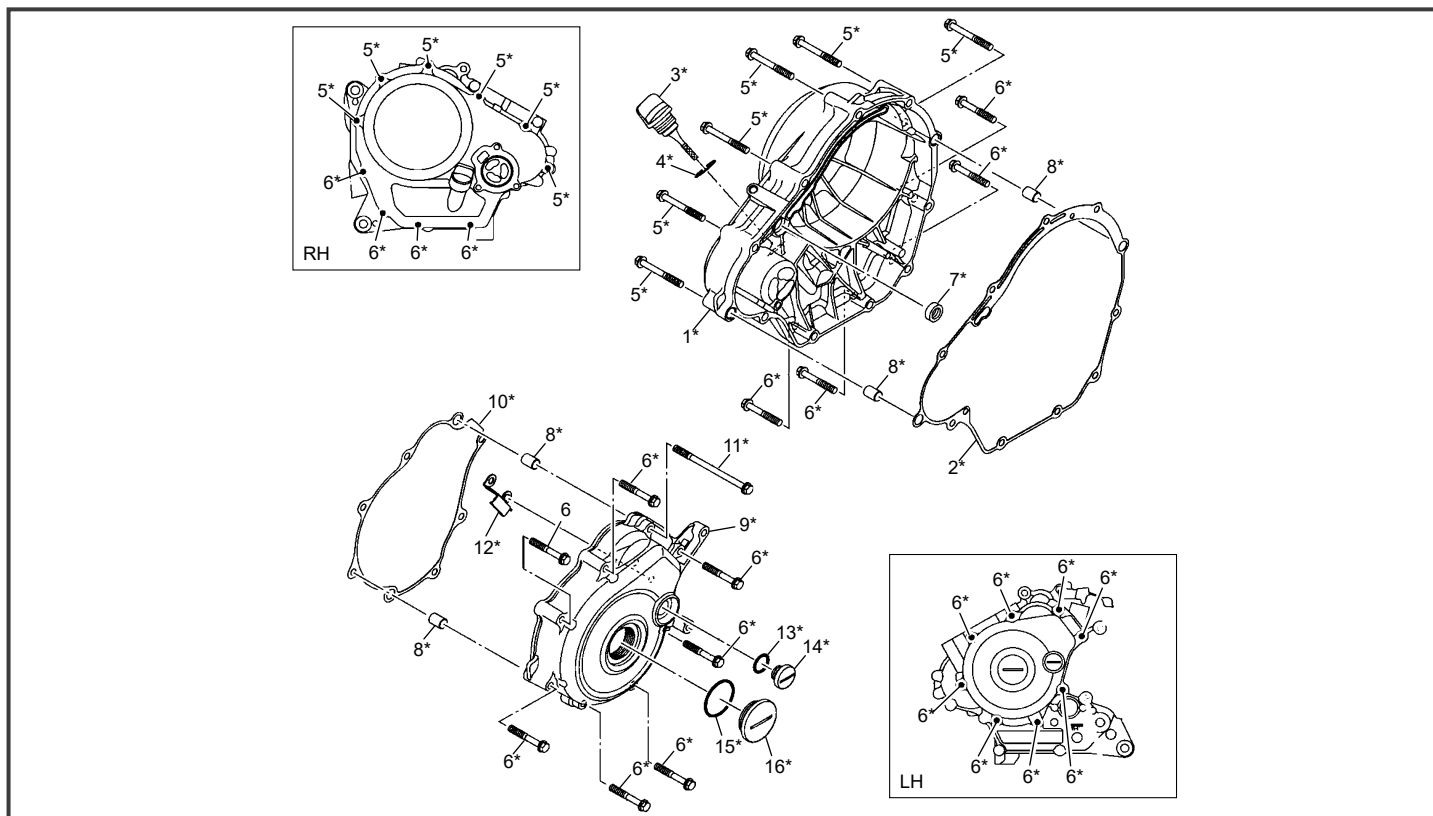
Carters centraux Central crankcase / Cártel central



| POS. | HRD-SM-FACT-RS | HRD-SE-FACT-RS | FRANÇAIS | ENGLISH | ESPAÑOL |
|------|----------------|----------------|---------------------------------------|-----------------------------|---|
| 1 | 11270* | 11270* | GROUPE CARTERS CENTRAUX | CRANKCASE ASSY | JUEGO CARTERES CENTRALES |
| 2 | 11414* | 11414* | VIS M6X45 | BOLT M6X45 FLG. DEEP RECESS | TORNILLO M6X45 |
| 3 | 11420* | 11420* | VIS M6X40 | BOLT M6X40 FLG. DEEP RECESS | TORNILLO M6X40 |
| 4 | 11405* | 11405* | VIS M6X70 | BOLT M6X70 FLG. DEEP RECESS | TORNILLO M6X70 |
| 5 | 11350* | 11350* | DOUILLE DE CENTRAGE D.10X14-INT.D.8,5 | PIN DOWEL D.10X14-INT.D.8,5 | CASQUILLO DE CENTRAJE D.10X14-INT.D.8,5 |
| 6 | 11415* | 11415* | VIS M6X55 | BOLT M6X55 FLG. DEEP RECESS | TORNILLO M6X55 |

* NOUVELLE PIECE
NEW PART
PIEZA NUEVA

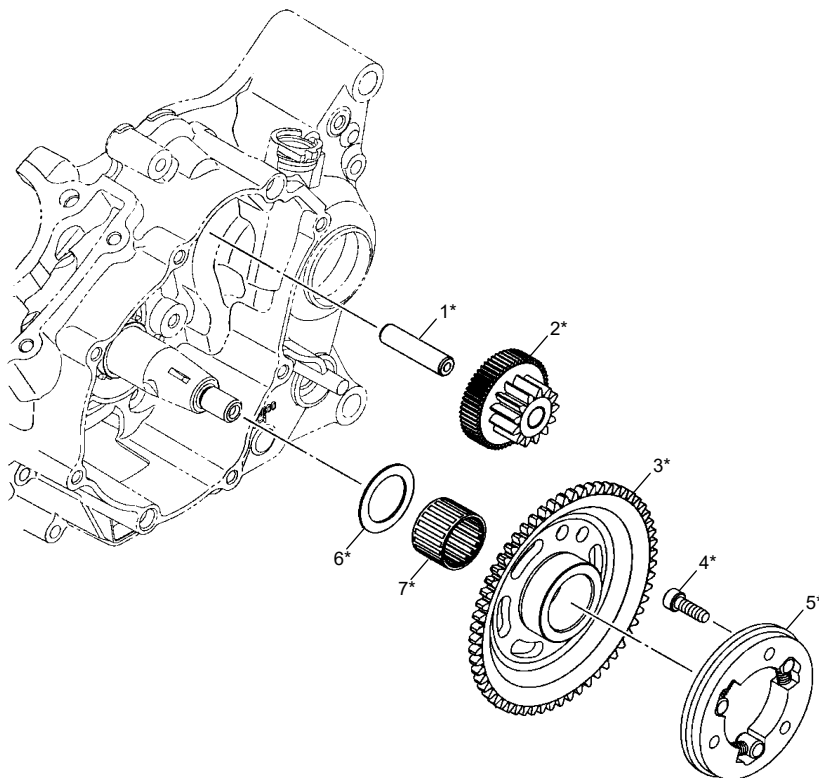
Carters lateraux Lateral crankcase / Cártier lateral



| POS. | HRD-SM-FACT-RS | HRD-SE-FACT-RS | FRANÇAIS | ENGLISH | ESPAÑOL |
|------|----------------|----------------|---------------------------------------|-----------------------------|---|
| 1 | 11256* | 11256* | COUVERCLE D'EMBRAYAGE | CLUTCH COVER | TAPA EMBRAGUE |
| 2 | 11342* | 11342* | JOINT COUVERCLE D'EMBRAYAGE | GASKET, CRANKCASE COVER 2 | JUNTA TAPA EMBRAGUE |
| 3 | 11379* | 11379* | BOUCHON NIVEAU D HUILE | PLUG,OIL LEVEL | TAPÓN DE NIVEL ACEITE |
| 4 | 11460* | 11460* | JOINT TORIQUE D. 19X2,4 | O-RING D. 19X2,4 | ANILLO D. 19X2,4 |
| 5 | 11417* | 11417* | VIS M6X50 | BOLT M6X50 FLG. DEEP RECESS | TORNILLO M6X50 |
| 6 | 11420* | 11420* | VIS M6X40 | BOLT M6X40 FLG. DEEP RECESS | TORNILLO M6X40 |
| 7 | 11467* | 11467* | JOINT SPI D.18X10X6 | SEAL OIL D.18X10X6 | RETÉN D.18X10X6 |
| 8 | 11350* | 11350* | DOUILLE DE CENTRAGE D.10X14-INT.D.8,5 | PIN DOWEL D.10X14-INT.D.8,5 | CASQUILLO DE CENTRAJE D.10X14-INT.D.8,5 |
| 9 | 11257* | 11257* | COUVERCLE D'ALLUMAGE | IGNITION COVER | TAPA ENCENDIDO |
| 10 | 11343* | 11343* | JOINT DE COUVERCLE D'ALLUMAGE | GASKET, IGNITION COVER | JUNTA DE TAPA ENCENDIDO |
| 11 | 11416* | 11416* | VIS M6X90 | BOLT M6X90 FLG. DEEP RECESS | TORNILLO M6X90 |
| 12 | 11333* | 11333* | PLAQUE | PLATE | PLATA |
| 13 | 11457* | 11457* | JOINT TORIQUE D.13,5X2,2 | O-RING D.13,5X2,2 | ANILLO D.13,5X2,2 |
| 14 | 11288* | 11288* | BOUCHON 1 D'ALLUMAGE | IGNITION COVER PLUG 1 | TAPÓN 1 TAPA ENCENDIDO |
| 15 | 11462* | 11462* | JOINT TORIQUE D.31,5X2,4 | O-RING D.31,5X2,4 | ANILLO D.31,5X2,4 |
| 16 | 11287* | 11287* | BOUCHON 2 D'ALLUMAGE | IGNITION COVER PLUG 2 | TAPÓN 2 TAPA ENCENDIDO |

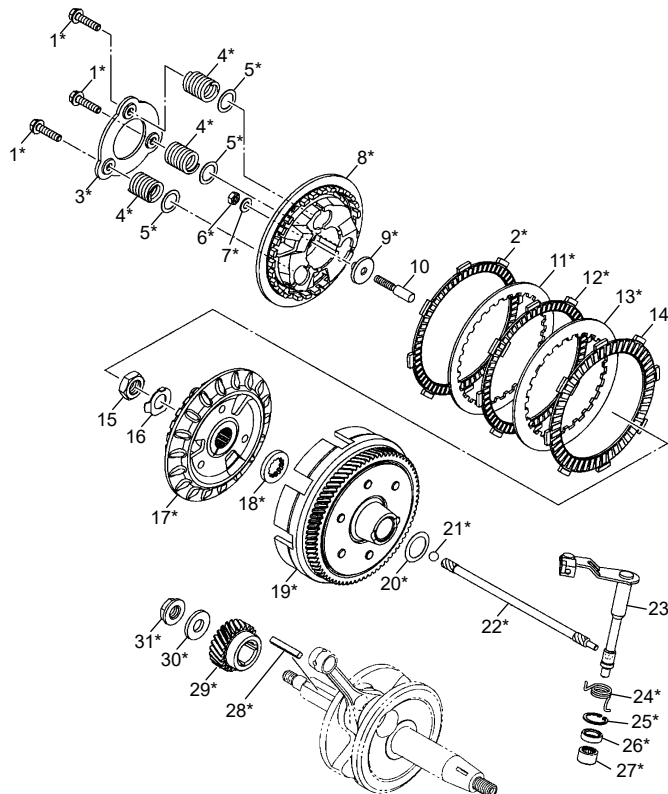
* NOUVELLE PIECE
NEW PART
PIEZA NUEVA

Démarrreur Starter motor / Motor de arranque



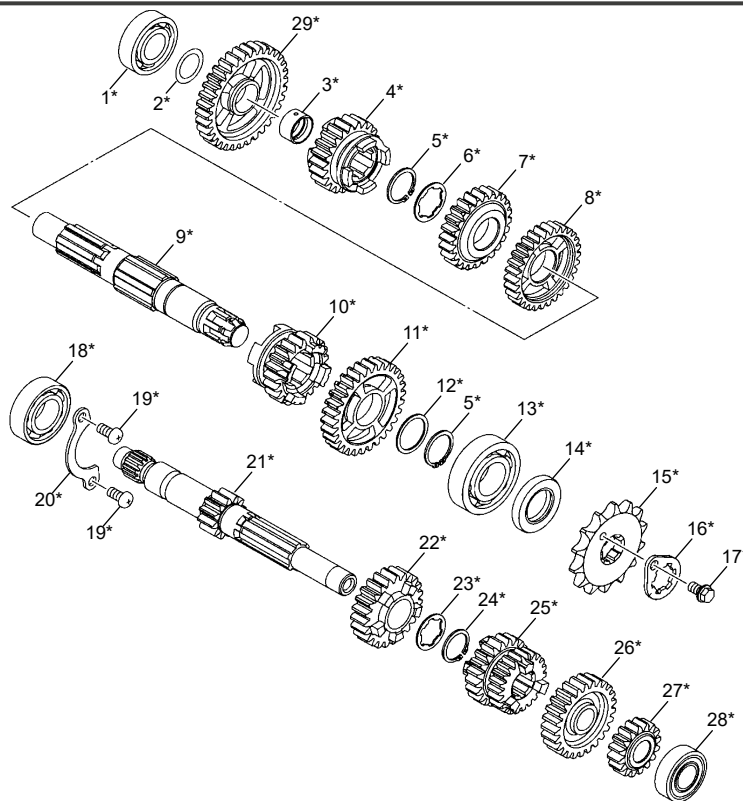
| POS. | HRD-SM-FACT-RS | HRD-SE-FACT-RS | FRANÇAIS | ENGLISH | ESPAÑOL |
|------|----------------|----------------|--------------------------------|-----------------------------|------------------------------------|
| 1 | 11352* | 11352* | AXE DE PIGNON INTERMEDIAIRE | SHAFT,1 | EJE DE ENGRANAJE INTERMEDIO |
| 2 | 11309* | 11309* | PIGNON INTERMDIAIRE DEMARREUR | INTERMEDIARY GEAR E-STARTER | PIÑÓN INTERMEDIO MOTOR DE ARRANQUE |
| 3 | 11311* | 11311* | PIGNON DE ROUE LIBRE DEMARREUR | WHEEL STARTER | PIÑÓN RUEDA LIBRE DE ARRANQUE |
| 4 | 11444* | 11444* | VIS M6X20 | BOLT,HEX.SOCKET M6X20 | TORNILLO M6X20 |
| 5 | 11314* | 11314* | ROUE LIBRE COMPLETE | STARTER ONE-WAY ASSY | RUEDA LIBRE COMPLETA |
| 6 | 11428* | 11428* | RONDELLE D.25,2X36X1 | WASHER PLAIN D.25,2X36X1 | ARANDELA D.25,2X36X1 |
| 7 | 11334* | 11334* | CAGE A AIGUILLE D.30X25X19,8 | NEEDLE BEARING D.30X25X19,8 | JAULA AGUJAS D.30X25X19,8 |

* NOUVELLE PIECE
NEW PART
PIEZA NUEVA



| POS. | HRD-SM-FACT-RS | HRD-SE-FACT-RS | FRANÇAIS | ENGLISH | ESPAÑOL |
|------|----------------|----------------|--|-------------------------------------|---------------------------------|
| 1 | 11404* | 11404* | RESSORT DE VIS | SCREW SPRING | MUELLE TORNILLO |
| 2 | 10774* | 10774* | DISQUE GARNI 3552 125 4T MINA | PLATE FRICTION 3552 125 4T MINA | PLACA FRICCION 3552 125 4T MINA |
| 3 | 11387* | 11387* | PLAQUE DE PRESSION EMBRAYAGE | PLATE PRESSURE 2 | PLACA PRESSION EMBRAGUE |
| 4 | 11324* | 11324* | RESSORT D'EMBRAYAGE | SPRING CLUTCH 1 | MUELLE EMBRAGUE |
| 5 | 11346* | 11346* | RONDELLE D.25,5X2,4 | WASHER D.25,5X2,4 | ARANDELA D.25,5X2,4 |
| 6 | 11409* | 11409* | ECROU | NUT | TUERCA |
| 7 | 11434* | 11434* | RONDELLE | WASHER | ARANDELLA |
| 8 | 11296* | 11296* | PLATEAU PRESSEUR | PRESSURE PLATE | PLATO DE PRESSION |
| 9 | 11290* | 11290* | BUTEE D'EMBRAYAGE | CLUTCH PUSHING PLATE | TOPE PLATO DE PRESSION |
| 10 | 11356* | 11356* | TIGE EMBRAYAGE | ROD,PUSH 1 | VARILLE EMBRAGUE |
| 11 | 10775* | 10775* | DISQUE LISSE 3540 125 4T MINA | PLATE FRICTION 3540 125 4T MINA | PLACA FRICCION 3540 125 4T MINA |
| 12 | 10776* | 10776* | DISQUE GARNI 3553 125 4T MINA | PLATE FRICTION 3553 125 4T MINA | PLACA FRICCION 3553 125 4T MINA |
| 13 | 10777* | 10777* | DISQUE LISSE 3541 125 4T MINA | PLATE FRICTION 3541 125 4T MINA | PLACA FRICCION 3541 125 4T MINA |
| 14 | 10778* | 10778* | DISQUE GARNI 3550 125 4T MINA | PLATE FRICTION 3550 125 4T MINA | PLACA FRICCION 3550 125 4T MINA |
| 15 | 11393* | 11393* | ECROU M14X1 H=8 CH=22 | NUT M14X1 H=8 CH=22 | TUERCA M14X1 H=8 CH=22 |
| 16 | 11401* | 11401* | RONDELLE D.26X14X1 | WASHER TONGUED D.26X14X1 | ARANDELA D.26X14X1 |
| 17 | 11298* | 11298* | NOIX D'EMBRAYAGE | BOSS CLUTCH | MAZA EMBRAGUE |
| 18 | 11396* | 11396* | RONDELLE FRICTION | PLATE THRUST 1 | PACA DE EMPUJE |
| 19 | 11289* | 11289* | CLOCHE D'EMBRAYAGE | CLUTCH BASKET ASSY | CAMPANA EMBRAGUE |
| 20 | 11424* | 11424* | RESSORT DE RONDELLE D.20X28,5X0,3 | WASHER CONICAL SPRING D.20X28,5X0,3 | MUELLE ARANDELA D.20X28,5X0,3 |
| 21 | 11339* | 11339* | BILLE TIGE EMBRAYAGE | BALL | BOLA VARILLA EMBRAGUE |
| 22 | 11358* | 11358* | TIGE DE POUSSEE | PUSH ROD | EMPURADOR DE VARILLA |
| 23 | 11264* | 11264* | LEVIER D'EMBRAYAGE | PUSH LEVER ASSY | PALANCE DE EMBRAGUE |
| 24 | 11322* | 11322* | RESSORT DE RAPPEL COMMANDE D'EMBRAYAGE | SPRING LEVER RETURN | MUELLE LEVA EMBRAGUE |
| 25 | Y703 | Y703 | CIRCLIP | CIRCLIP | PRESILLA RONDADA |
| 26 | 9152 | 9152 | JOINT SPI | OIL SEAL | SELLO ACEITE |
| 27 | 11330* | 11330* | CAGE A AIGUILLE D.12X16X10 | NEEDLE BEARING D.12X16X10 | JAULA AGUJAS D.12X16X10 |
| 28 | 11391* | 11391* | CLAVETTE 5X5X33 | KEY, FEATHER 5X5X33 | CHAVETA 5X5X33 |
| 29 | 11297* | 11297* | PIGNON 24 DTS | GEAR PRIMARY DRIVE Z24 | PIÑÓN Z24 |
| 30 | 11427* | 11427* | RONDELLE D.12X27X3 | WASHER PLAIN D.12X27X3 | ARANDELA D.12X27X3 |
| 31 | 11408* | 11408* | ECROU | NUT | TUERCA |

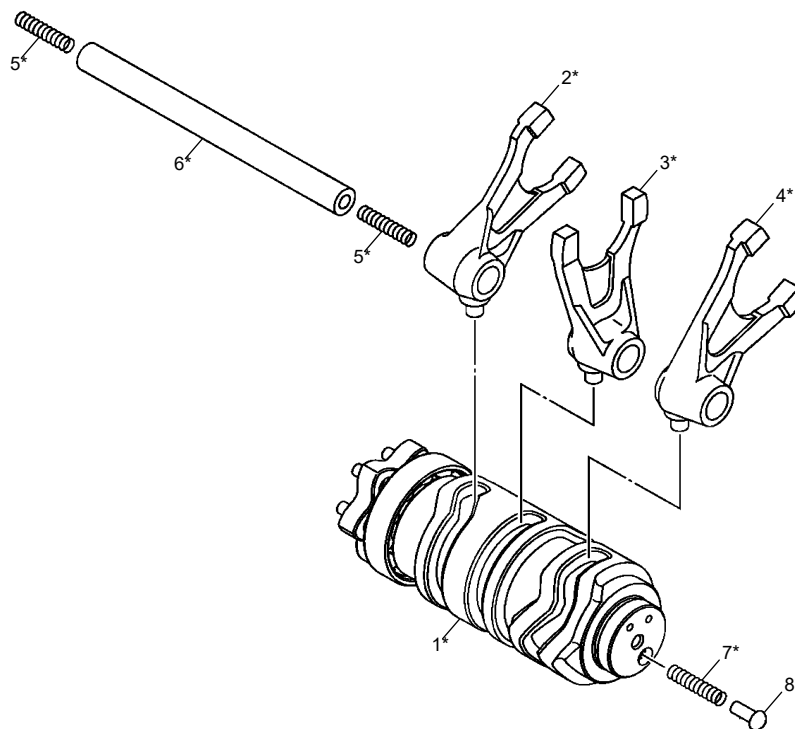
* NOUVELLE PIECE
NEW PART
PIEZA NUEVA



| POS. | HRD-SM-FACT-RS | HRD-SE-FACT-RS | FRANÇAIS | ENGLISH | ESPAÑOL |
|------|----------------|----------------|---|----------------------------------|-------------------------------|
| 1 | 11338* | 11338* | ROULEMENT A BILLES VILEBREQUIN D.17X40X12 | CRANKSHAFT BEARING D.17X40X12 | COJINETE CIGÜENAL D.17X40X12 |
| 2 | 11423* | 11423* | RONDELLE | WASHER PLAIN | ARANDELA |
| 3 | 11332* | 11332* | COLLIER ARBRE SECONDAIRE | SECONDARY SHAFT COLLAR | ABRAZADERA DE EJE SECUNDARIO |
| 4 | 11307* | 11307* | PIGNION 5 ARBRE SECONDAIRE | GEAR 5TH PINION, SECONDARY SHAFT | PIÑÓN 5 EJE SEGUNDARIO |
| 5 | 11375* | 11375* | CIRCLIP | CIRCLIP | CIRCLIP |
| 6 | 11425* | 11425* | RONDELLE | WASHER | ARANDELA |
| 7 | 11306* | 11306* | PIGNION 4 ARBRE SECONDAIRE | GEAR 4TH PINION, SECONDARY SHAFT | PIÑÓN 4 EJE SEGUNDARIO |
| 8 | 11305* | 11305* | PIGNION 3 ARBRE SECONDAIRE | GEAR 3RD PINION, SECONDARY SAFT | PIÑÓN 3 EJE SEGUNDARIO |
| 9 | 11274* | 11274* | ARBRE SECONDAIRE | DRIVE SHAFT | EJE SECUNDARIO |
| 10 | 11308* | 11308* | PIGNION 6 ARBRE SECONDAIRE | GEAR 6TH PINION, SECONDARY SHAFT | PIÑÓN 6 EJE SEGUNDARIO |
| 11 | 11304* | 11304* | PIGNION 2 ARBRE SECONDAIRE | GEAR 2ND PINION, SECONDARY SHAFT | PIÑÓN 2 EJE SEGUNDARIO |
| 12 | 11422* | 11422* | RONDELLE PLATE | WASHER PLATE | ARANDELA PLANA |
| 13 | 11449* | 11449* | ROULEMENT A BILLES D. 22X50X14 | BEARING D. 22X50X14 | RODAMIENTO D. 22X50X14 |
| 14 | 11466* | 11466* | JOINT SPI D.38X21X6 | SEAL OIL D.38X21X6 | RETÉN D.38X21X6 |
| 15 | 11526* | 11526* | PIGNON SORTIE DE BOITE 125 4T Z14 | SPROCKET DRIVE 125 4T Z14 | PIÑÓN Z14 125 4T Z14 |
| 16 | 11291* | 11291* | RONDELLE PIGNON SORTIE DE BOITE | DRIVE SPROCKET HOLDER | ARANDELA BLOCAJE PIÑÓN CADENA |
| 17 | 11411* | 11411* | VIS M6X10 | BOLT M6X10 FLG. DEEP RECESS | TORNILLO M6X10 |
| 18 | 11337* | 11337* | ROULEMENT A BILLES VILEBREQUIN D.20X42X12 | CRANKSHAFT BEARING D.20X42X12 | COJINETE CIGÜENAL D.20X42X12 |
| 19 | 11433* | 11433* | VIS M6X12 | BOLT HEX.SOCKET M6X12 | TORNILLO M6X12 |
| 20 | 11386* | 11386* | PLAQUE DE BUTEE | PLATE COVER | PLACA DE CUBIERTA |
| 21 | 11273* | 11273* | ARBRE PRIMAIRE | PRIMARY SHAFT | EJE PRIMARIO |
| 22 | 11301* | 11301* | PIGNION 5 ARBRE PRIMAIRE | GEAR 5TH PINION, PRIMARY SHAFT | PIÑÓN 5 EJE PRIMARIO |
| 23 | 11426* | 11426* | RONDELLE | WASHER | ARANDELA |
| 24 | 11377* | 11377* | CIRCLIP | CIRCLIP | CIRCLIP |
| 25 | 11300* | 11300* | PIGNION 3 ARBRE PRIMAIRE | GEAR 3RD PINION, PRIMARY SHAFT | PIÑÓN 3 EJE PRIMARIO |
| 26 | 11302* | 11302* | PIGNION 6 ARBRE PRIMAIRE | GEAR 6TH PINION, PRIMARY SHAFT | PIÑÓN 6 EJE PRIMARIO |
| 27 | 11299* | 11299* | PIGNION 2 ARBRE PRIMAIRE | GEAR 2ND PINION, PRIMARY SHAFT | PIÑÓN 2 EJE PRIMARIO |
| 28 | 11329* | 11329* | ROULEMENT A BILLES D.15X35X11 | BEARING D.15X35X11 | COJINETE D.15X35X11 |
| 29 | 11303* | 11303* | PIGNION 1 ARBRE SECONDAIRE | GEAR 1ST PINION, SECONDARY SHAFT | PIÑÓN 1 EJE SEGUNDARIO |

* NOUVELLE PIECE
NEW PART
PIEZA NUEVA

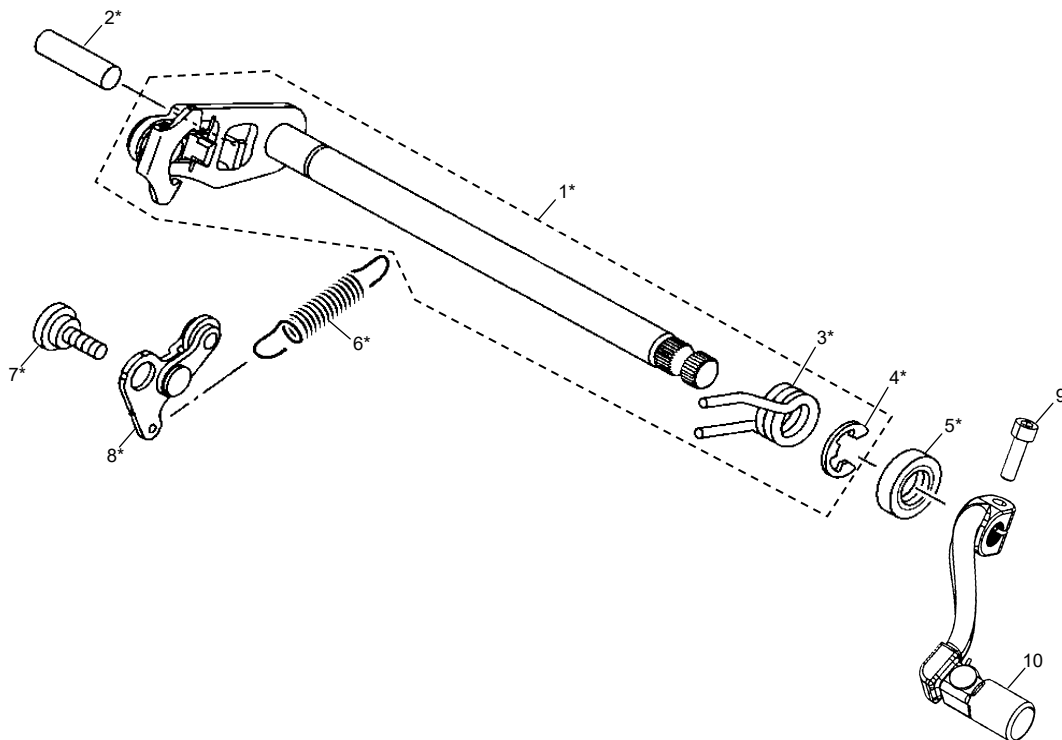
Selection Selector / Selector



| POS. | HRD-SM-FACT-RS | HRD-SE-FACT-RS | FRANÇAIS | ENGLISH | ESPAÑOL |
|------|----------------|----------------|-------------------------------|------------------------|-------------------------|
| 1 | 11253* | 11253* | BARILLET DE SELECTION | SHIFT CAM ASSY | DESMODRONICO SELECTOR |
| 2 | 11262* | 11262* | FOURCHETTE 3 | FORK SHIFT 3 | HORQUILLA 3 |
| 3 | 11261* | 11261* | FOURCHETTE 2 | FORK SHIFT 2 | HORQUILLA 2 |
| 4 | 11260* | 11260* | FOURCHETTE 1 | FORK SHIFT 1 | HORQUILLA 1 |
| 5 | 11321* | 11321* | RESSORT D'AXE DE FOURCHETTE | SPRING COMPRESSION | MUELLE EJE DE HORQUILLA |
| 6 | 11353* | 11353* | AXE DE FOURCHETTE | BAR SHIFT FORK GUIDE 1 | EJE HORQUILLA |
| 7 | 11319* | 11319* | RESSORT BARILLET DE SELECTION | SELECTOR DRUM SPRING | MUELLE DESMODRONICO |
| 8 | 11354* | 11354* | INDICATEUR SELECTION | POINT | INDICADOR DE SELECCIÓN |

* NOUVELLE PIECE
NEW PART
PIEZA NUEVA

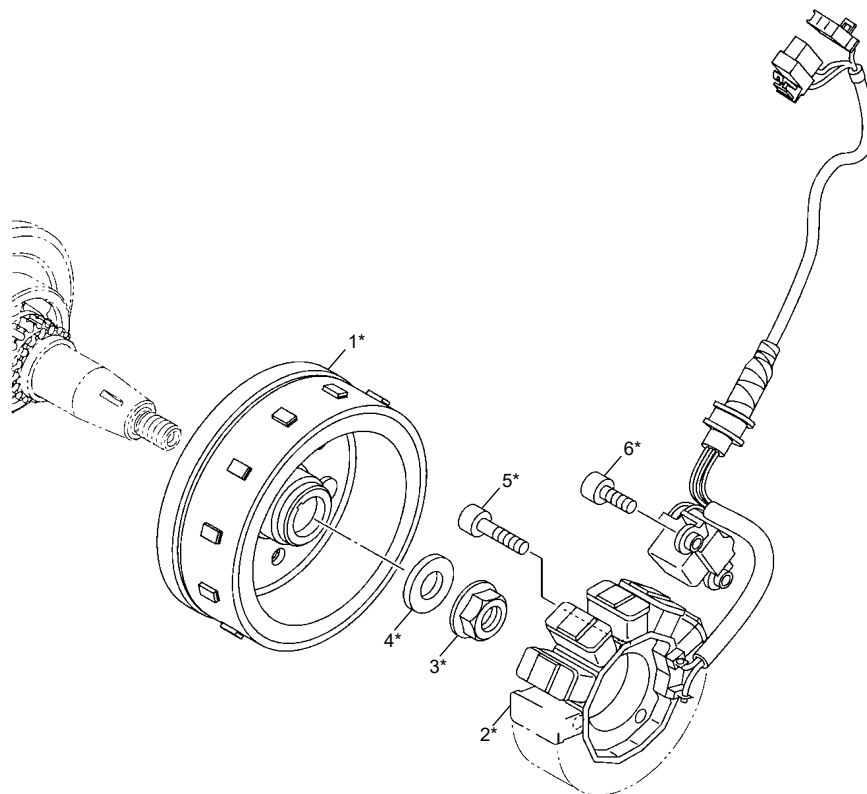
Sélecteur Gear selector group / Selector cambio



| POS. | HRD-SM-FACT-RS | HRD-SE-FACT-RS | FRANÇAIS | ENGLISH | ESPAÑOL |
|------|----------------|----------------|--|---|--|
| 1 | 11275* | 11275* | ABRE DE SELECTION | SHIFT SHAFT ASSY | EJE SELECTOR |
| 2 | 11357* | 11357* | GOUPILLE GOUJON | PIN,DOWEL | PASADOR |
| 3 | 11320* | 11320* | RESSORT RAPPEL AXE SELECTEUR | SPRG., TORSION | MUELLE EJE SELECTOR |
| 4 | 11376* | 11376* | CIRCLIP | CIRCLIP | CIRCLIP |
| 5 | 11347* | 11347* | JOINT SPI D.12X22X5 | SEAL OIL D.12X22X5 | SELLO ACEITE D.12X22X5 |
| 6 | 11323* | 11323* | RESSORT DE SELECTEUR | SPRING | MUELLE DE SELECTOR |
| 7 | 11403* | 11403* | VIS M6X1 | BOLT M6X1 | TORNILLO M6X1 |
| 8 | 11292* | 11292* | DOIGT DE VERROUILLAGE | INDEX LEVER ASSY | PALANCA CIERRE SELECTOR |
| 9 | M252 | M252 | VIS CHC 6 X 20 0084 ZN NI TR PRE IMPREGNEE MOYEN | SCREW CHC 6 X 20 ZN NI TR PRE IMPREGNEE MOYEN | TORNILLO 6 X 20 DIN 912 ZN NI TR PRE IMPREGNEE MOYEN |
| 10 | 2739 | 2739 | SELECTEUR 125 | SHIFT LEVER ASSY 125 | SELECTOR 125 |

* NOUVELLE PIECE
NEW PART
PIEZA NUEVA

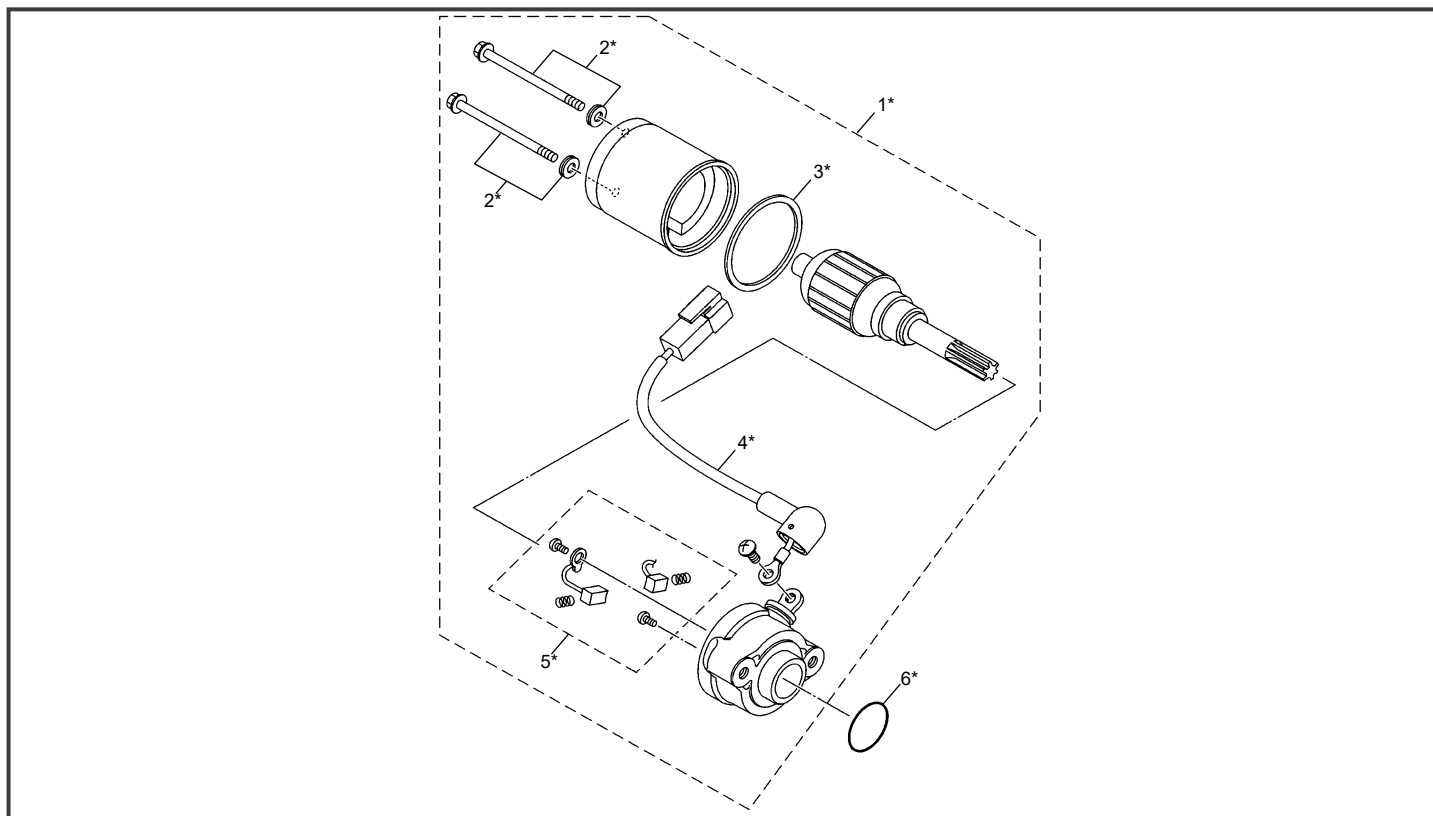
Ensemble allumage Ignition system / Sistema de encendido



| POS. | HRD-SM-FACT-RS | HRD-SE-FACT-RS | FRANÇAIS | ENGLISH | ESPAÑOL |
|------|----------------|----------------|--------------------|----------------------------|--------------------|
| 1 | 11272* | 11272* | ROTOR | ROTOR ASSY | ROTOR |
| 2 | 11271* | 11271* | STATOR | STATOR ASSY | STATOR |
| 3 | 11395* | 11395* | ECROU M12X1,25X11 | NUT FLG. M12X1,25X11 | TUERCA M12X1,25X11 |
| 4 | 11427* | 11427* | RONDELLE D.12X27X3 | WASHER PLAIN D.12X27X3 | ARANDELA D.12X27X3 |
| 5 | 11447* | 11447* | VIS M6X25 | BOLT,HEX.SOCKET M6X25 | TORNILLO M6X25 |
| 6 | 11445* | 11445* | VIS M6X16 | BOLT,HEX.SOCKET HEAD M6X16 | TORNILLO M6X16 |

* NOUVELLE PIECE
NEW PART
PIEZA NUEVA

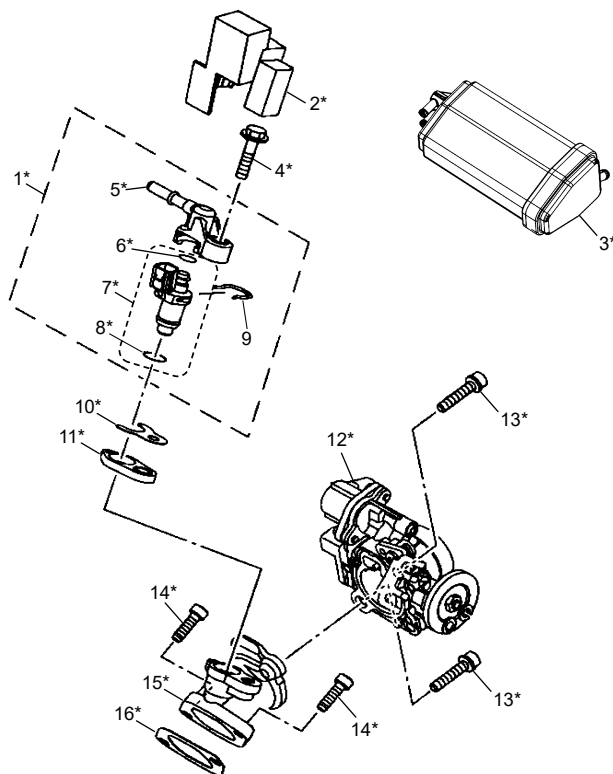
Démarrreur Starter motor / Motor de arranque



| POS. | HRD-SM-FACT-RS | HRD-SE-FACT-RS | FRANÇAIS | ENGLISH | ESPAÑOL |
|------|----------------|----------------|-----------------------------|----------------------|----------------------------|
| 1 | 11250* | 11250* | DEMARREUR ASSEMBLE | STARTING MOTOR ASSY | MOTOR DE ARRANQUE |
| 2 | 11325* | 11325* | VIS POUR DEMARREUR | STARTER SCREW | TORNILLO DE ARRANQUE |
| 3 | 11367* | 11367* | JOINT | GASKET | JUNTA |
| 4 | 11259* | 11259* | CABLE DEMARREUR | STARTING MOTOR CABLE | CABLE MOTOR DE ARRANQUE |
| 5 | 11366* | 11366* | KIT CHARBONS | BRUSH SET | CARBONES DE ARRANQUE |
| 6 | 11346* | 11346* | JOINT TORIQUE OR D.25,5X2,4 | O-RING D.25,5X2,4 | JUNTA TORICA OR D.25,5X2,4 |

* NOUVELLE PIECE
NEW PART
PIEZA NUEVA

Corps d'injection Injector body / Cuerpo de inyección



| POS. | HRD-SM-FACT-RS | HRD-SE-FACT-RS | FRANÇAIS | ENGLISH | ESPAÑOL |
|------|----------------|----------------|---------------------------|-----------------------------|---------------------------|
| 1 | 11279* | 11279* | INJECTEUR COMPLET | INJECTOR ASSY | INYECTOR COMPLETO |
| 2 | 11383* | 11383* | CACHE D'INJECTEUR | CAP/INJECTOR | PROTECCION INYECTOR |
| 3 | 11295* | 11295* | CANISTER | CANISTER ASSY | CANISTER |
| 4 | 11432* | 11432* | VIS M6X30 | BOLT FLG M6X30 | TORNILLO M6X30 |
| 5 | 11285* | 11285* | CONNECTEUR INJECTEUR | INJECTOR CONNECTOR | CONNECTOR INYECTOR |
| 6 | 11453* | 11453* | JOINT TORIQUE | O-RING | ANILLO |
| 7 | 11280* | 11280* | INJECTEUR | INJECTOR | INYECTOR |
| 8 | 11344* | 11344* | JOINT TORIQUE | O-RING | JUNTA TORICA |
| 9 | 11328* | 11328* | CLIP D'ARRET INJECTEUR | CLIP | CLIP PARADA INYECTOR |
| 10 | 11465* | 11465* | JOINT | GASKET | JUNTA |
| 11 | 11398* | 11398* | ENTRETOISE | SPACER | ESPACIADOR |
| 12 | 11248* | 11248* | CORPS D'INJECTION COMPLET | THROTTLE BODY ASSY | CUERPO INYECTION COMPLETO |
| 13 | 11442* | 11442* | VIS M6X30 | BOLT HEX. SOCKET M6X30 | TORNILLO M6X30 |
| 14 | 11438* | 11438* | VIS M6X20 | BOLT HEX. SOCKET HEAD M6X20 | TORNILLO M6X20 |
| 15 | 11265* | 11265* | COLLECTEUR ADMISSION | INTAKE PIPE | TUBO DE ADMISSION |
| 16 | 11463* | 11463* | JOINT | GASKET | JUNTA |

* NOUVELLE PIECE
NEW PART
PIEZA NUEVA

SHERCO



WWW.SHERCO.COM

MOTUL

KENNY

AirOH
HELMET

GAERNE

KYB
... Technical Touch

MICHELIN

Polisport
Performance Parts

VERTEX
PISTON & POWER

WUP

GALFER

AX
RACING

UNIRACING

RENTRAL

BUD
RACING

FACTORY LINKS
OFF-ROAD SERIES

AFAM

SCOTT

HEXIS

BS
RACING

OXFLIGHT

AKRAPOVIČ

created by www.ciandisseny.com