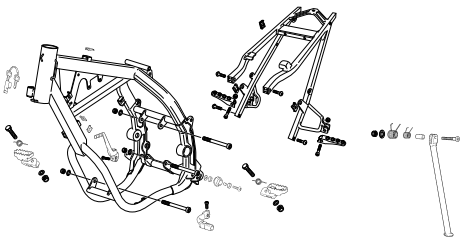
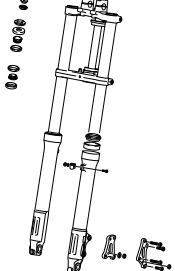
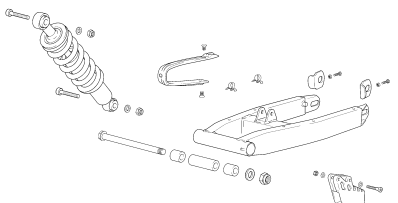
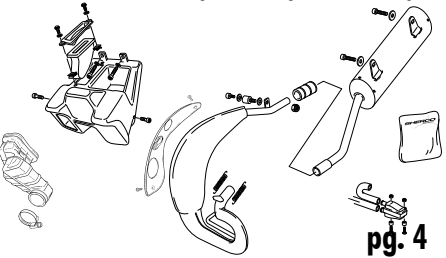
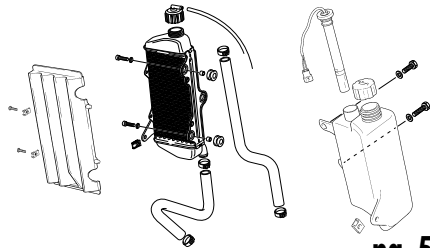
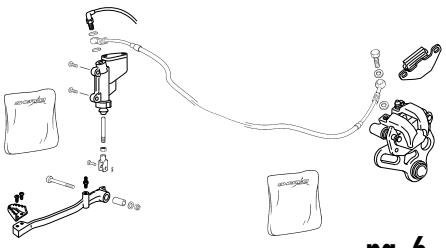
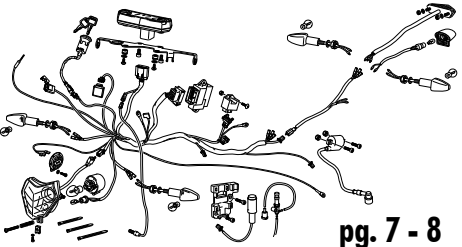
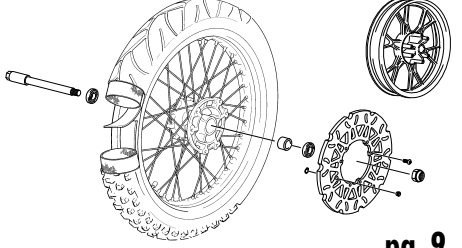
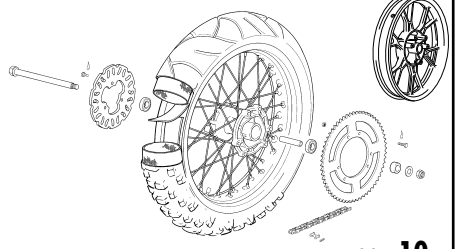
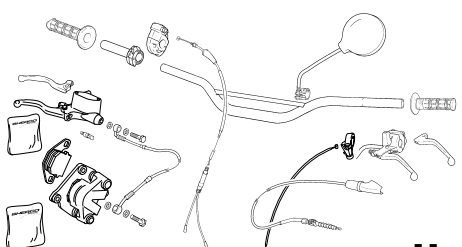
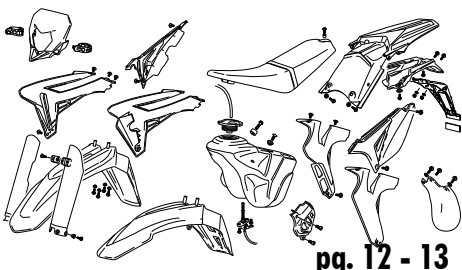



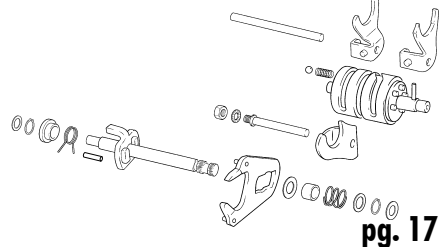


*Spare part's book* **19**  
**50cc**

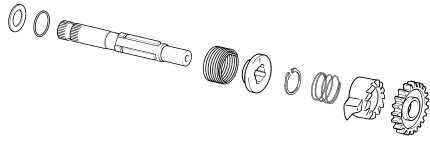
**Enduro  
Supermotard**



**SHERCO**  
Motorcycles

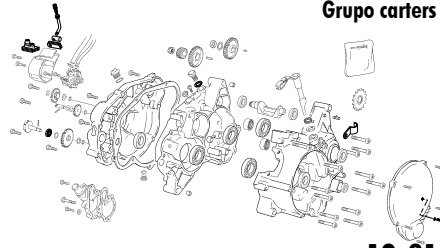
<b>1</b> <b>Cadre / Frame / Chasis</b>  <b>pg. 1</b>	<b>2</b> <b>Fourche / Fork / Horquilla</b>  <b>pg. 2</b>	<b>3</b> <b>Amortisseur - Bras oscillant / Rear Shock - Swingarm / Amortiguador - Basculante</b>  <b>pg. 3</b>
<b>4</b> <b>Boîte filtre - échappement / Air filter box - exhaust system / Caja filtro - escape</b>  <b>pg. 4</b>	<b>5</b> <b>Radiateur / Radiator / Radiador</b>  <b>pg. 5</b>	<b>6</b> <b>Frein arrière / Rear brake / Freno trasero</b>  <b>pg. 6</b>
<b>7</b> <b>Faisceau électrique / Electrical system / Instalación eléctrica</b>  <b>pg. 7 - 8</b>	<b>8</b> <b>Roue avant / Front wheel / Rueda delantera</b>  <b>pg. 9</b>	<b>9</b> <b>Roue arrière / Rear wheel / Rueda trasera</b>  <b>pg. 10</b>
<b>10</b> <b>Guidon / Handlebar / Manillar</b>  <b>pg. 11</b>	<b>11</b> <b>Plastiques / Plastics / Plásticos</b>  <b>pg. 12 - 13</b>	<b>12</b> <b>Adhesif / Sticker / Adhesivo FACTORY</b>  <b>pg. 14</b>
<b>13</b> <b>Adhesif / Sticker / Adhesivo SIX DAYS</b>  <b>pg. 15</b>	<b>14</b> <b>Adhesif / Sticker / Adhesivo SILVER</b>  <b>pg. 16</b>	<b>15</b> <b>Selecteur / Gear selector group / Selector cambio</b>  <b>pg. 17</b>

**16** Lanceur / Kickstarter assembly /  
Pedal arranque



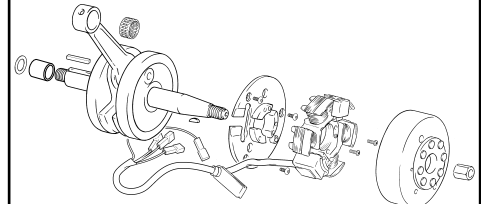
pg. 18

**17** Groupe carters / Crankcase assembly /  
Grupo carters



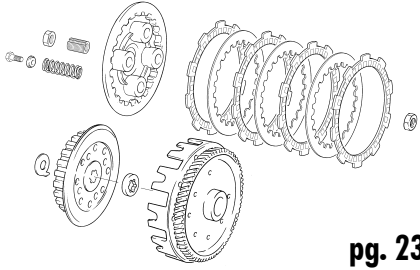
pg. 19-21

**18** Villebrequin assemble / Crankshaft assembly /  
Cigüeñal biela



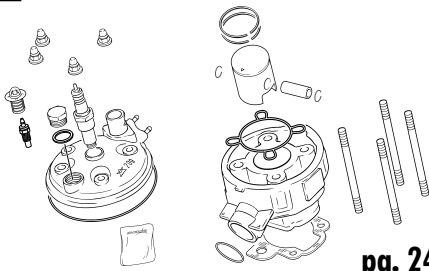
pg. 22

**19** Embayage / Clutch / Embrague



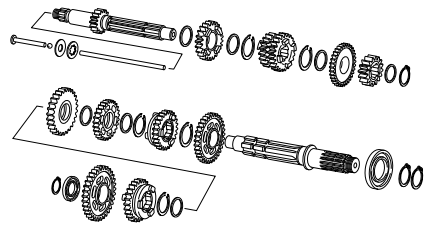
pg. 23

**20** Culasse / Cylinder head / Culata



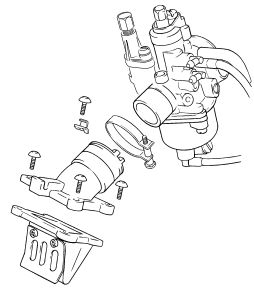
pg. 24

**21** Boite a vitesses / Gear set / Cambio



pg. 25

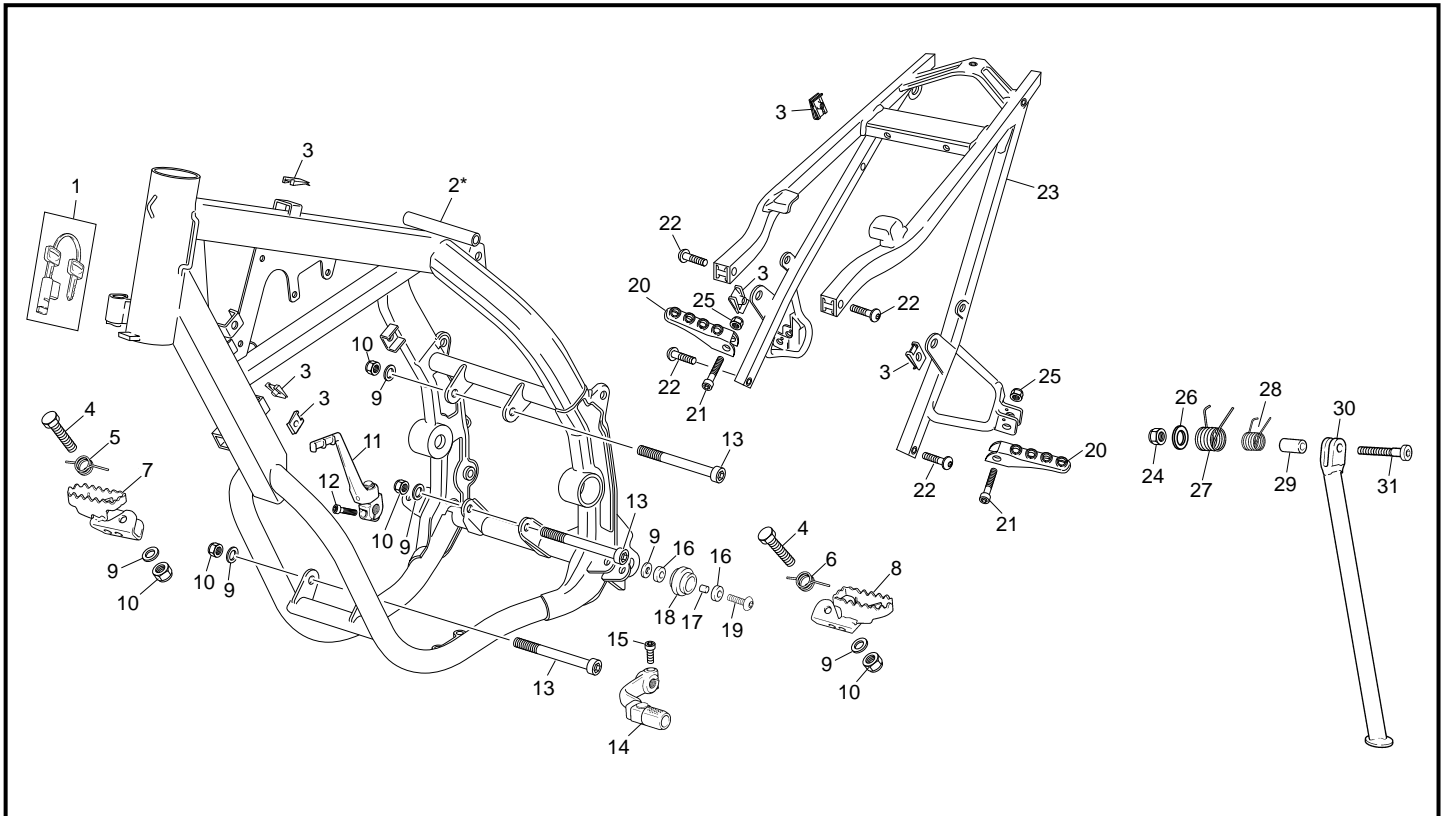
**22** Carburateur / Carburetor / Carburador



pg. 26

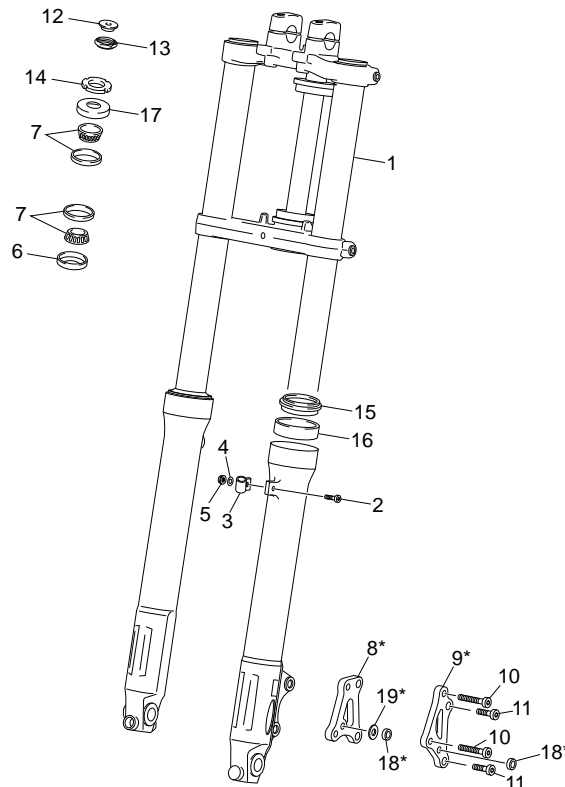


### Cadre / Frame / Chasis



POS.	50	FRANÇAIS	ENGLISH	ESPAÑOL
1	H173	ANTIVOL DIRECTION END 50	ANTIVOL DIRECTION END 50	ANTIRROBO DIRECCIÓN END 50
2	7042*	CADRE PEINT 50 END /SM EU4	PEINT FRAME 50 END /SM EU4	CHASIS PINTADO 50 END /SM EU4
3	M308	ECROU CLIP M6	NUT CLIP M6	TUERCA CLIP M6
4	C422	SCREW 8 X 45	VIS HEXAG 8 X 45	TORNILLO 8 X 45
5	H201	RESSORT CALE PIED DROIT	RIGHT FOOTREST SPRING	MUELLE ESTRIBO DERECHO
6	H202	RESSORT CALE PIED GAUCHE	RIGHT FOOTREST SPRING	MUELLE ESTRIBO IZQUIERDO
7	H175	CALE PIED DROIT	RIGHT FOOTREST	ESTRIBO DERECHO
8	H174	CALE PIED GAUCHE	LEFT FOOTREST	ESTRIBO IZQUIERDO
9	C430	RONDELLE M8	WASHER M8	ARANDELA M8
10	M305	ECROU NYLSTOP M8	NUT NYLSTOP M8	TUERCA NYLSTOP M8
11	2316	KICK 50	KICKSTART PEDAL 50	PEDAL DE ARRANQUE 50
12	C410	VIS CHC M6 X 25	SCREW CHC M6 X 25	TORNILLO CHC M6 X 25
13	C412	VIS CHC M8 X 100	SCREW M8 X 100	TORNILLO M8 X 100
14	H209	SELECTEUR ALU CURT50/125 06	GEAR SELECTOR ALU SHORT50/125	LEVA SELECTOR ALU CORTO 50/125
15	M252	VIS CHC 6 X 20	SCREW CHC 6 X 20 0084	TORNILLO 6 X 20 DIN 912
16	0577	ROULEMENT 22 X 8 X 7	BEARING 22 X 8 X 7	COJINETE 22 X 8 X 7
17	0556	DOUILLE GALET CHAINE	SPACER CHAIN WEEL	CASQUILLO ROLO CADENA
18	0231	GALET DE CHAINE	ROLER CHAIN GUIDE	ROLO CADENA
19	1028	VIS BHC M8 X 35	SCREW BHC M8 X 35	TORNILLO BHC M8 X 35
20	2706	CALE PIED PASSAGER G/D	PASSENGER FOOTREST	ESTRIBO PASAJERO IZ/DE
21	1031	VIS CHC M6X35	SCREW CHC M6X35	TORNILLO CHC M6X35
22	2282	VIS CHC M8X25	SCREW CHC M8X25	TORNILLO CHC M8X25
23	4946	ARRIERE CADRE PEINT 50/125 2014	REAR SUB FRAME PEINT 50 /125 2014	SOPORTE SILLÍN PINTADO 50/125 2014
24	M304	ECROU NYLSTOP M10	NUT NYLSTOP M10	TUERCA NYLSTOP M10
25	M306	ECROU NYLSTOP M6	NUT NYLSTOP M6	TUERCA NYLSTOP M6
26	M320	RONDELLE 10 X 30 X 2.5	WASHER 10 X 30 X 2.5	ARANDELA 10 X 30 X 2.5 DIN 9021
27	0479	RESSORT BEQUILLE EXT	SPRING STAND EXT	MUELLE CABALLETE EXT
28	0305	RESSORT DE BEQUILLE INT	STAND SPRING INT	MUELLE CABALLETE INT
29	0481	ENTRETOISE RESSORT BEQUILLE	STAND SPACER	CASQUILLO CABALLETE
30	1087	BEQUILLE PEINT 50/125 SM	SIDE STAND PEINT 50/125 SM	CABALLETE PEINT 50/125 SM
30	H409	BEQUILLE PEINT 50/125 END	SIDE STAND PEINT 50/125 END	CABALLETE PEINT 50/125 END
31	0482	VIS BEQUILLE	STAND SCREW	TORNILLO CABALLETE

\* - NOUVELLE PIECE / NEW PART / PIEZA NUEVA

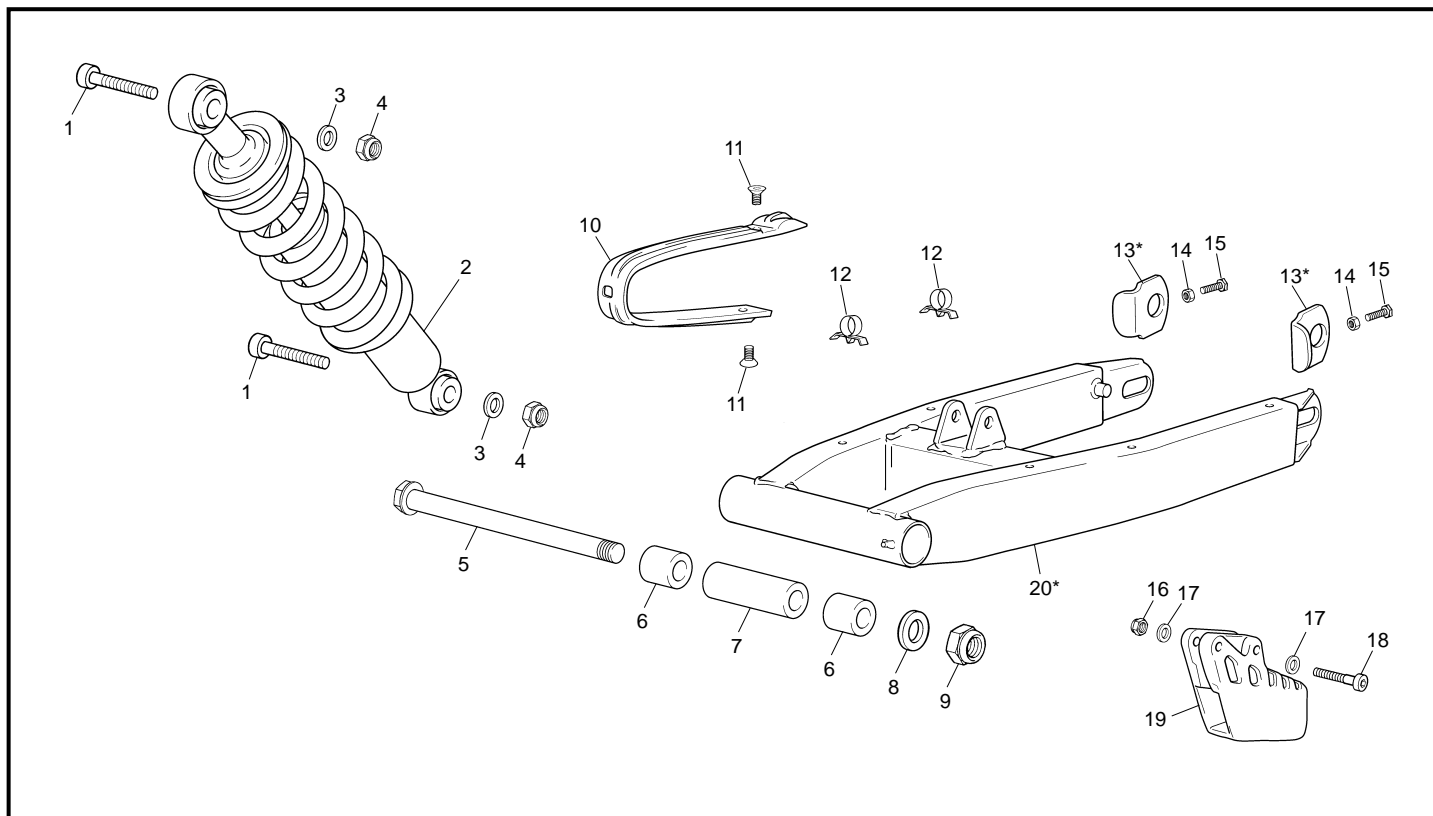
**Fourche / Fork / Horquilla**


OIL CHANGE  
Capacity per leg: 300cc  
Viscositiy: SAE 7.5

POS.	50	FRANÇAIS	ENGLISH	ESPAÑOL
1	2232	FOURCHE Ø37MM	FORKS Ø37MM	HORQUILLA Ø37MM
2	1036	VIS CHC M5X25	SCREW CHC M5X25	TORNILLO CHC M5X25
3	1083	COLLIER DURITE	COLLAR	ABRAZADERA MANGUITO
4	M379	RONDELLE M5	WASHER M5	ARANDELA M5
5	M355	ECROU NYLSTOP M5	NUT M5	TUERCA M5
6	1051	ANNEAU D'ÉTANCHÉITÉ NYLOS	NYLOS RING	JUNTA NYLOS
7	H006	KIT ROULEMENT	BEARING SET	RODAMIENTO DIRECCIÓN
8	7274	DÉPORT ÉTRIER ENDURO EVO	BRAKE CALIPPER ENDURO EVO	SOPORTE PINZA ENDURO EVO
9	7275	DÉPORT ÉTRIER SUPERMOTARD EVO	BRAKE CALIPPER SUPERMOTARD EVO	SOPORTE PINZA SUPERMOTARD EVO
10	2282	VIS TH EP M8X32	SCREW TH EP M8X32	TORNILLO TH EP M8X32
11	M261	VIS TH EP M8X20	SCREW TH EP M8X20	TORNILLO TH EP M8X20
12	R346	BOUCHON DE COLONE	PLUG	TAPÓN
13	R345	ECROU M25X1	NUT M25X1	TUERCA M25X1
14	2911	ECROU M25 ERGOT	STEERING LOCK NUT M25	TUERCA M25
15	2912	PARE POUSSIÈRE	DUST SEAL	GUARDA POLVO
16	2913	JT SPI	SEAL FORK	RETÉN HORQUILLA
17	6268	CACHE POUSSIÈRE 50CC	DUST PROTECTOR 50CC	PROTECCIÓN 50CC
18	7412*	ENTRETOISSE CAPTEUR VITESSE	REED SENSOR SPACER	ARANDELA SENSOR VELOCIDAD
19	C430*	RONDELLE M8	WASHER M8	ARANDELA M8

\* NOUVELLE PIECE  
NEW PART  
PIEZA NUEVA

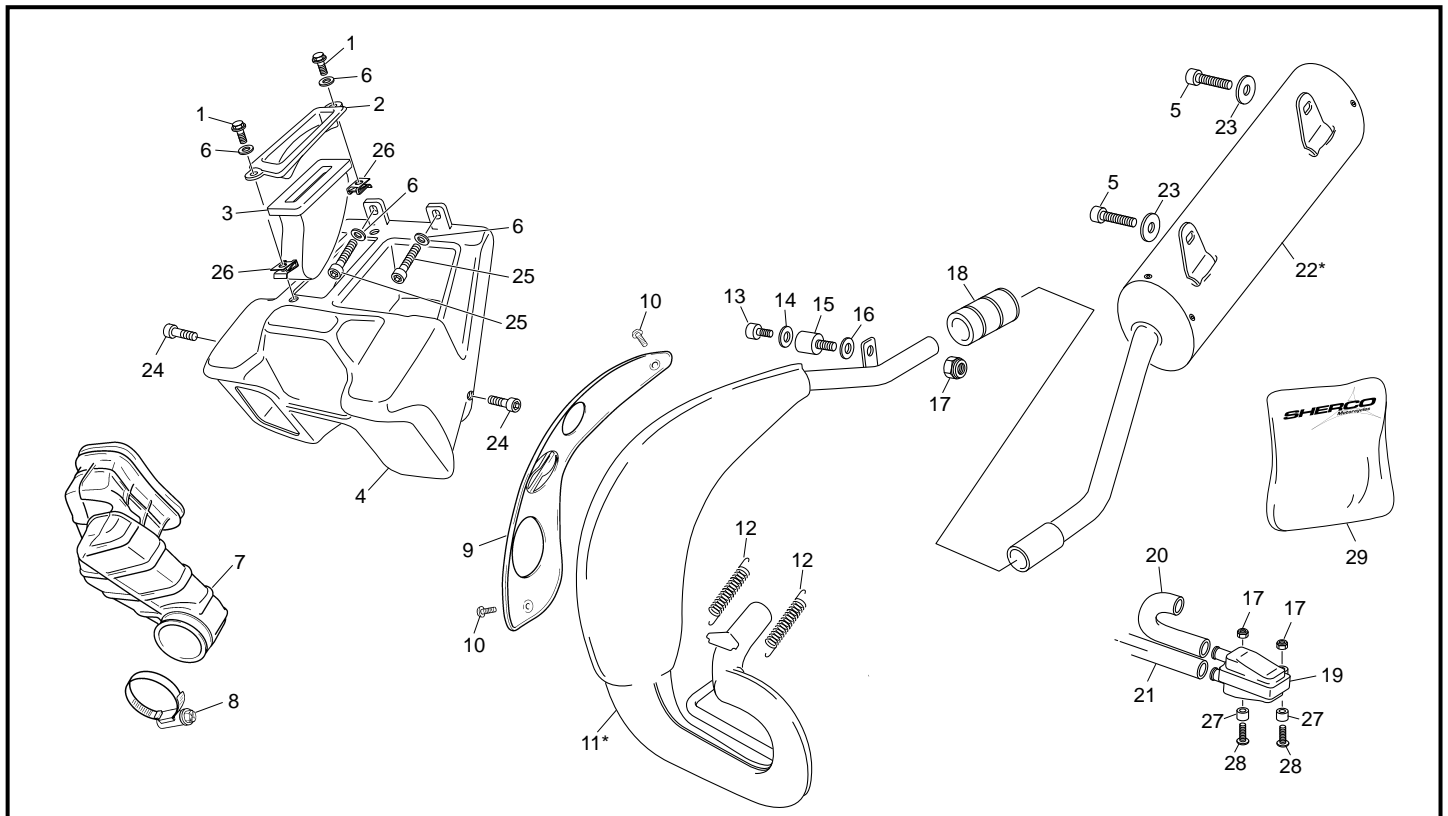
### Amortisseur - Bras oscillant / Rear Shock - Swingarm / Amortiguador - Basculante



POS.	50	FRANÇAIS	ENGLISH	ESPAÑOL
1	M259	VIS CHC 10 X 50 0084	SCREW CHC 10 X 50	TORNILLO 10 X 50 ALLEN
2	H396	AMORTISSEUR 50/125 06	SHOCK ABSORBER 50/125 06	AMORTIGUADOR 50/125 06
3	C424	RONDELLE M10	WASHER M10	ARANDELA M10
4	M304	ECROU NYLSTOP M10 0368.10	NUT NYLSTOP M10	TUERCA NYLSTOP M10
5	H127	AXE BRAS OSCILLANT 50 END	SWINGARM AXLE 150 ENDURO	EJE BASCULANTE 50 ENDURO
6	H402	SILENT. DE BRAS OSCILLANT 50/125	SILENTBLOC	SILENTBLOC
7	H425	ENTRETOISE BRAS OSCILLANT 50 06	SPACER 50 06	CASQUILLO 50 06
8	C426	RONDELLE M16	WASHER M16	ARANDELA M16
9	C417	ECROU NYLSTOP M16 X 150	NUT NYLSTOP M16 X 150	TUERCA NYLSTOP M16 X 150
10	H065	PATIN CHAINE	CHAIN SLIDER	PATÍN CADENA
11	C433	SCREW FHC M8 X 10	VIS FHC M8 X 10	TORNILLO FHC M8 X 10
12	H273	CLIP DURITE DE FREIN	BRAKE HOSE CLIP	CLIP TUBO FRENO
13	7200*	TOLE TENSION CHAINE 50/125 EVO	CHAIN TENSIONER 50/125 EVO	CHAPA TENSIÓN CADENA 50/125 EVO
14	M309	ECROU STANDARD M6 0317	NUT M6	TUERCA M6
15	1027	VIS TH M6 X 60	SCREW TH M6 X 60	TORNILLO TH M6 X 60
16	M306	ECROU NYLSTOP M6 0368.6	NUT NYLSTOP M6	TUERCA NYLSTOP M6
17	C427	RONDELLE M6 X 15	WASHER M6 X 15	ARANDELA M16
18	M256	VIS CHC 6 X 45 0084	SCREW CHC 6 X 45	TORNILLO 6 X 45 ALLEN
19	0296	GUIDE CHAINE	CHAIN GUID	GUÍA CADENA
20	7199*	BRAS OSCILLANT PEINT 50/125 EVO	SWINGARM PEINT 50/125 EVO	BASCULANTE PINTADO 50/125 EVO

\* NOUVELLE PIECE  
NEW PART  
PIEZA NUEVA

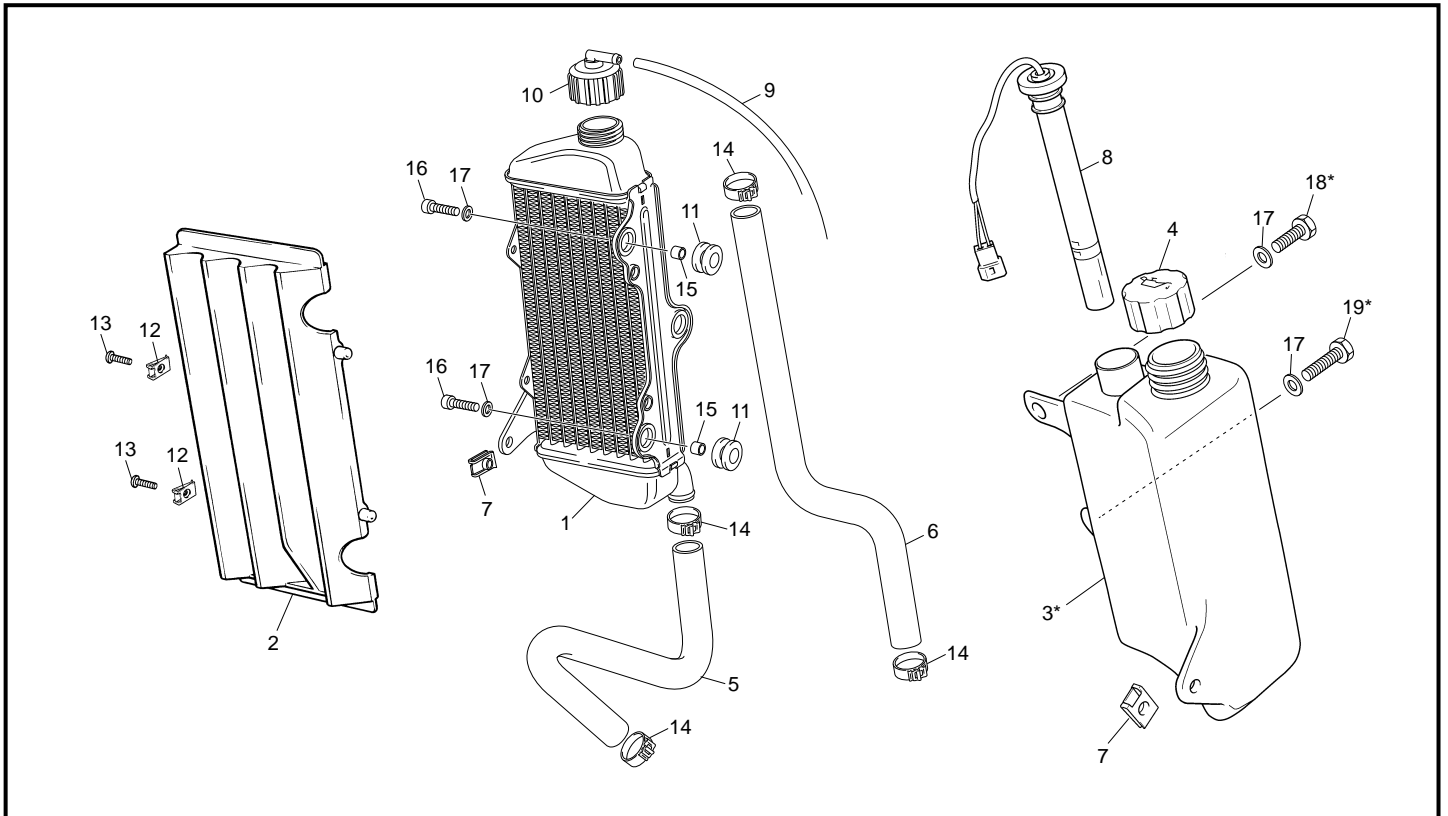
### Boîte filtre - échappement / Air filter box - exhaust system / Caja filtro - escape



POS.	50	FRANÇAIS	ENGLISH	ESPAÑOL
1	M279	VIS BHC 6X20	SCREW BHC 6X20	TORNILLO BHC 6X20
2	4951	COUVERCLE FILTRE AIR 50 125 2014	AIR FILTER BOX COVER 50 125 2014	TAPA FILTRO 50 125 END/SM 2014
3	C108	MOUSSE DE FILTRE	TWIN AIR FOAM	ESPUMA DE FILTRO TWIN AIR
4	4950	BOITE FILTRE AIR 50-125 2014	AIR FILTER BOX 50-125 2014	CAJA DE FILTRO 50-125 2014
5	M251	VIS CHC 6 X 16 0084	SCREW CHC 6 X 16	TORNILLO 6 X 16 DIN 912
6	C427	WASHER M6 X 15	RONDELLE M6 X 15	ARANDELA M16
7	H392	MANCHON FILTRE AIR 50 06	AIR FILTER SLEEVE 50 06	TUBERA CAJA FILTRO 50 06
8	C485	COLLIER SEBRA 30X45	HOSE CLAMP 30X45	BRIDA TUBERA 30X45
9	4254	PROTECTEUR NOIR	BLACK PROTECTOR	PROTECTOR NERGO
10	1146	VIS	SCREW	TORNILLO
11	7030*	POT CATA. 50 END/SM EURO 4	EXHAUST 50 CATA. END/SM EURO 4	ESCAPE 50 CATA END/SM EURO 4
12	H204	RESSORT DE POT 50	EXHAUST SPRING 50	MUELLE ESCAPE 50
13	C409	VIS CHC M6 X 10 DIN 912	SCREW CHC M6 X 10	TORNILLO M6 X 10 CHC
14	M317	RONDELLE 6 X12 0407 6	WASHER X 6	ARANDELA 6 DIN 125 A
15	H058	SILENTBLOC DE POT	EXHAUST SILENTBLOCK	SILENTBLOCK DE ESCAPE
16	H005	RONDELLE ISOLANTE	INSULATING WASHER	ARANDELA AISLANTE
17	M306	ECROU NYLSTOP M6 0368.6	NUT NYLSTOP M6	TUERCA NYLSTOP M6
18	H055	MANCHON POT/SILENCIEUX 50	EXHAUST/SILENCER GASKET 50	JUNTA ESCAPE/SILENCIOSO 50
19	H377	VALVE AIS	AIS VALVE	VÁLVULA AIRE PARALELO
20	1036	DURIT VALVE POT 125MM 50MM	AIS EXAHUST TUBE 125 MM 50 MM	AIS TUBOS 125MM 50MM
21	1037	DURIT VALVE DE POT 610MM 50 END	AIS EXAHUST TUBE 610MM 50 END	TUBOS VALVE AIS 610MM 50 END
22	7271*	SILENCIEUX 50 ALUMINIUM EURO 4	SILENCER 50 ALUMINIUM EURO 4	SILENCIOSO 50 ALUMINIO EURO 4
23	C428	RONDELLE M6 X 20	WASHER M6 X 20	ARANDELA M6 X 20
24	3554	VIS BHC 6X8	SCREW BHC 6X8	TORNILLO BHC 6X8
25	M283	VIS BHC 6X16	SCREW BHC 6X16	TORNILLO 6X16
26	M308	ECROU CLIP M6	NUT CLIP M6	TUERCA CLIP M6
27	0525*	ENTRETOISSE	SPACER	CASQUILLO
28	0970*	VIS THEP 6X25	SCREW THEP 6X25	TORNILLO THEP 6X25
29	7291*	KIT RECHARGE SILENCIEUX 50	NUFFLER REPAIR KIT 50	KIT RECARGA SILENCIOSO 50

\* NOUVELLE PIECE  
NEW PART  
PIEZA NUEVA

### Radiateur / Radiator / Radiador

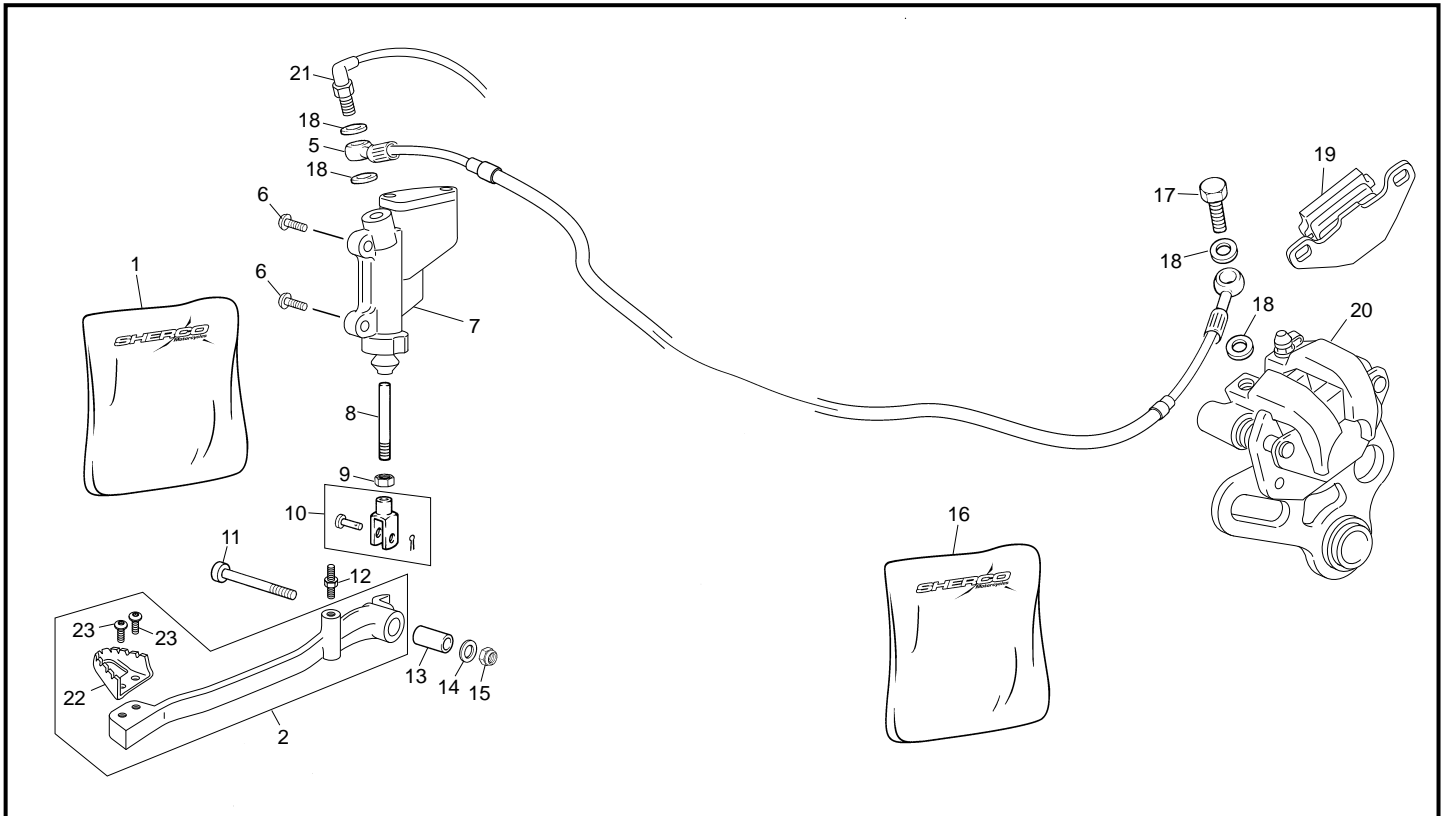


POS.	50	FRANÇAIS	ENGLISH	ESPAÑOL
1	4949	RADIATEUR 50 2014	RADIATOR 50 2014	RADIADOR 50 2014
2	H028	GRILLE RADIATEUR 50	RADIATOR PROTECTOR	PROTECTOR RADIADOR
3	7269*	RESERVOIR HUILE 50 EURO 4	OIL RESERVOIR 50 EURO 4	DEPÓSITO DE ACEITE 50 EURO 4
4	H036	BOUCHON RESERVOIR HUILE	OIL RESERVOIR CAP	TAPÓN DEPÓSITO ACEITE
5	H047	DURITE INF. RADIATEUR 50	LOWER RADIATOR HOSE 50	TUBO RADIADOR INFERIOR 50
6	H049	DURITE SUP. RADIATEUR 50	TOP RADIATOR HOSE 50	TUBO SUPERIOR RADIADOR 50
7	M308	ECROU CLIP M6	NUT CLIP M6	TUERCA CLIP M6
8	H159	SONDE NIVEAU HUILE	OIL LEVEL PROBE	SONDA NIVEL ACEITE
9	H046	DURITE ESSENCE/RADIATUR 50	HOSE PETROL/RADIATOR 50	TUBO GASOLINA/RADIADOR 50
10	6408	BOUCHON RADIATEUR	RADIATOR CAP	TAPÓN RADIADOR
11	H059	SILENBLOC RADIATEUR	SILENBLOC RADIATOR	SILENBLOC RADIADOR
12	M378	ECROU CLIP M5	NUT CLIM M5	TUERCA CLIP M5
13	M278	VIS BHC 5 X10	SCREW BHC 5X10	TORNILLO 5 X 10 ULS
14	0281	COLLIER K025 FIXAT. DURITE END450	COLLAR K025 HOSE RADIA. END 450	BRIDA K025 TUBO RADIADOR END 450
15	0525	ENTRETOISE	SPACER ELECTRIC START	CASQUILLO ARRANQUE ELÉCTRICO
16	M252	VIS CHC 6 X 20 0084	SCREW CHC 6 X 20	TORNILLO 6 X 20 DIN 912
17	C428	RONDELLE M6 X 20	WASHER M6 X 20	ARANDELA M6 X 20
18	0656*	VIS THEP 6X16	SCREW THEP 6X16	TORNILLO THEP 6X16
19	0546*	VIS THEP 6X20	SCREW THEP 6X20	TORNILLO THEP 6X20

\* NOUVELLE PIECE  
NEW PART  
PIEZA NUEVA

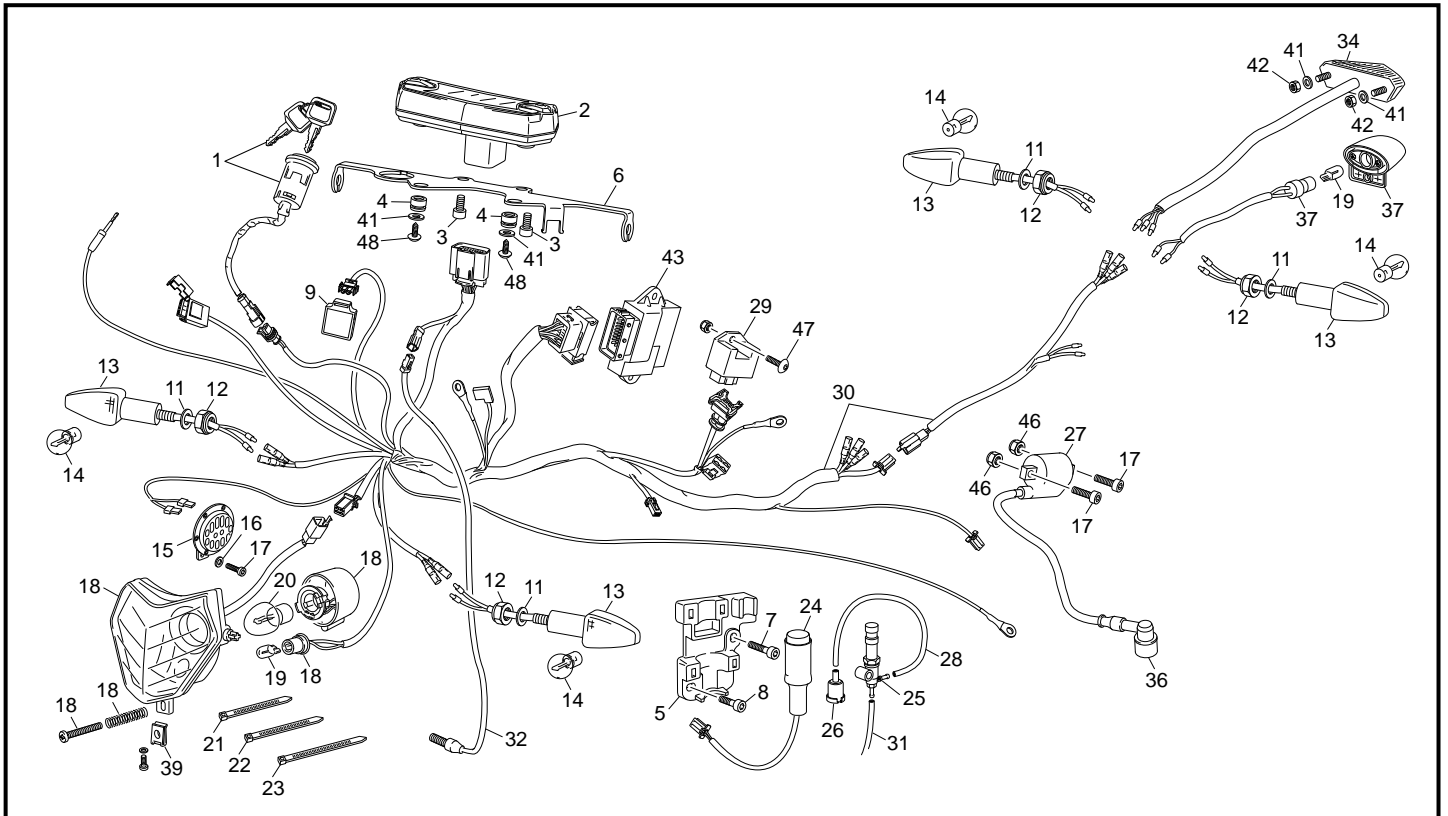


### Frein arrière / Rear brake / Freno trasero



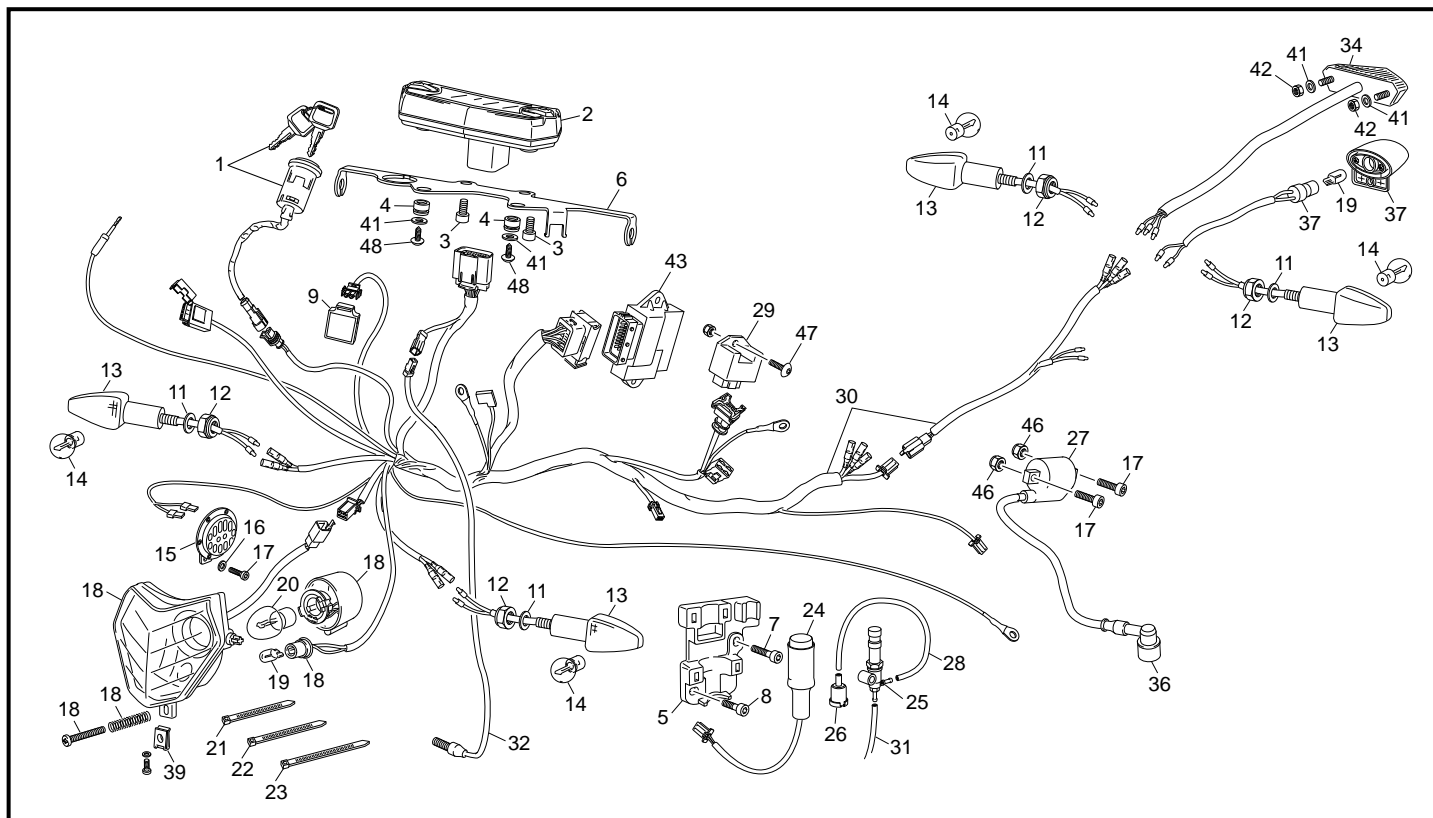
POS.	50	FRANÇAIS	ENGLISH	ESPAÑOL
1	4082	KIT REP. MAITRE CYLINDRE AR. J.JUAN	REPAIR KIT REAR MASTER CYLI. J.JUAN	KIT REP. BOMBA FRENO TRA. J.JUAN
2	H411	PEDALE FREIN ALU 50/125 06	REAR BRAKE PEDAL	PEDAL DE FRENO TRASERO
5	4077	DURITE FREIN AR J.JUAN	REAR BRAKE HOSE J.JUAN	LATIGUILLO FRENO J.JUAN
6	M283	VIS BHC 6 X 16 1093	SCREW BHC 6 X 16	TORNILLO 6 X 16 ULS
7	4078	MAITRE CYLINDRE AR 50 J.JUAN	REAR MASTER CYLINDER J.JUAN	BOMBA FRENO TRASERO J.JUAN
8	0374	TIGE FREIN AR	REAR BRAKE PUSHROD	VARILLA FRENO TRAS
9	M309	ECROU STANDARD M6 0317	NUT M6	TUERCA M6
10	H122	CHAPE DE FREIN	BREAK PEDALE BALANCE	HORQUILLA PEDALE FRENO
11	C406	VIS CHC M8 X 50	SCREWCHC M8 X 50	TORNILLO CHC M8 X 50
12	1049	VIS BUTEE DE FREIN AR 50 END SM	REAR BREAK SCREW 50 END SM	TORNILLO
13	H123	ENTRETOISE PEDALE FREIN	REAR BRAKE PEDAL BRACE	CASQUILLO PEDAL FRENO
14	C430	RONDELLE M8	WASHER M8	ARANDELA M8
15	M305	ECROU NYLSTOP M8 0368.8	NUT NYLSTOP M8	TUERCA NYLSTOP M8
16	4083	KIT REPARATION ETRIER J.JUAN	REPAIR KIT CALIPER J.JUAN	KIT REP. PINZA J.JUAN
17	R059	VIS RACCORD	BANJO SCREW	TORNILLO RACORD ULS
18	R074	JOINT CUIVRE 10X14X1.5	BANJO SEAL 10X14X1.5	ARANDELA BANJO 10X14X1.5
19	4080	PLAQUETTES FREIN AR J.JUAN	PADS REAR BRAKE J.JUAN	JUEGO PASTILLAS TRASERO J.JUAN
20	4081	ETRIER FREIN AR 50 J.JUAN	RAER CALIPER J.JUAN	PINZA FRENO J.JUAN
21	0625	CONTACTEUR DE FREIN AR	REAR BRAKE SWITCH	INTERRUPTOR DE FRENO TRASERO
22	2153	EMBOUT PÉDALE DE FREIN	REAR BRAKE PEDAL TIP	PUNTA FRENO TRASERO
23	M278	VIS BHC M5 X 10	BHC SCREW M5 X 10	TORNILLO BHC M5 X 10

### Faisceau électrique / Electrical system / Instalación eléctrica



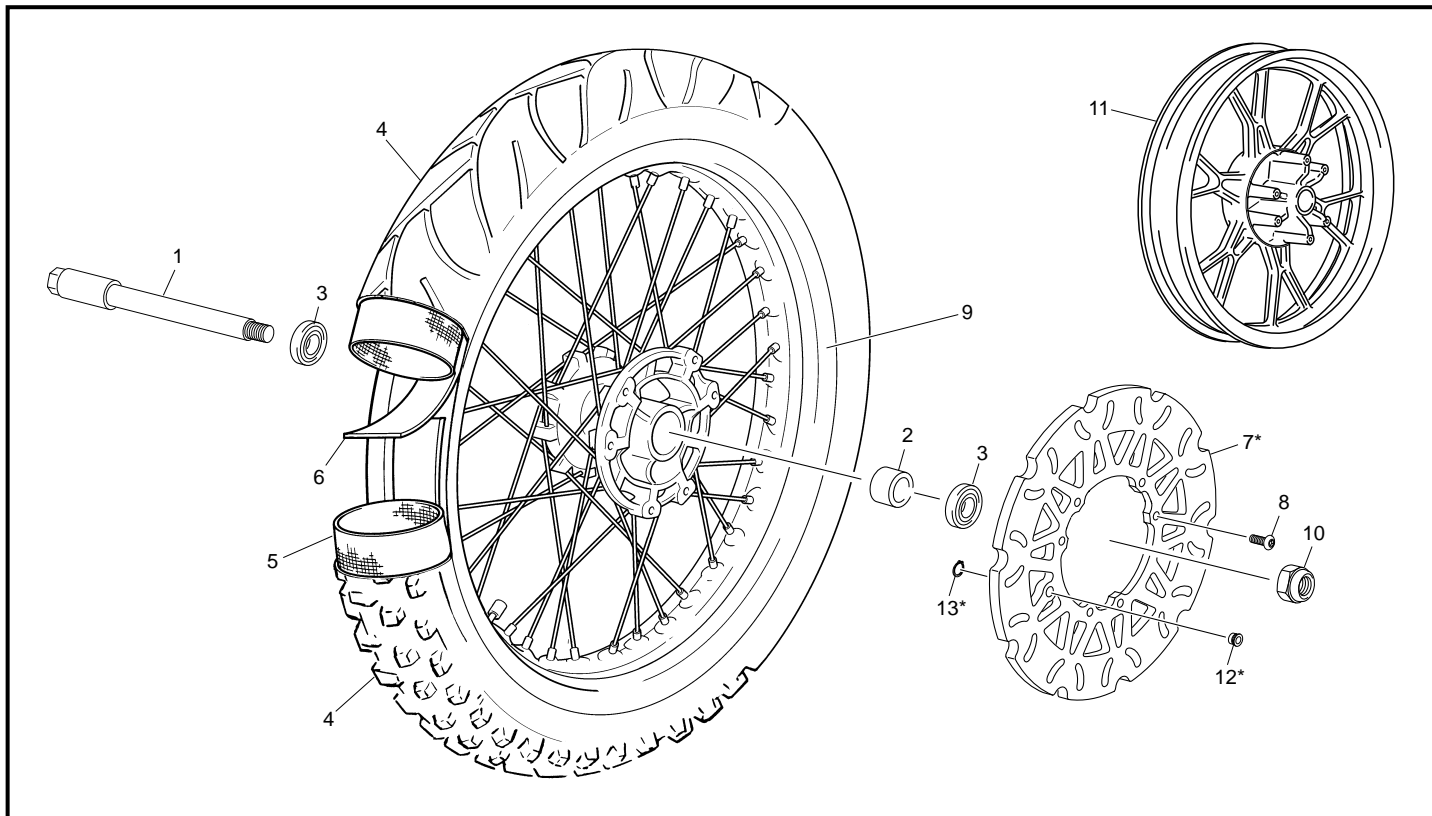
POS.	50	FRANÇAIS	ENGLISH	ESPAÑOL
1	3774	BLOC CLE DEMARRAGE END 50	BLOC KEY STARTER END 50	BLOC LLAVE ARRANQUE END 50
2	7032*	COMPTEUR 50 FACOMSA	SPEEDOMETER 50 FACOMSA	VELOCIMETRO 50 FACOMSA
3	M251	VIS CHC M6X16	SCREW CHC M6X16	TORNILLO M6X16 CHC
4	4513*	SILENBLOC COMPTEUR	SILENBLOC COMPTEUR	SILENBLOC COMPTEUR
5	7270*	SUPPORT ELEMENT ELECTRIQUE	ELECTRICAL ELEMENT SUPPORT	SOPORTE ELEMENTOS ELECTRICOS
6	7276*	SUPP. COMPT. 50 FACOMSA USD	SP. METER HOLDER 50 FACOMSA USD	SOP. VELOCÍMET. 50 FACOMSA USD
7	M253*	VIS CHC 6X30	SCREW CHC 6X30	TORNILLO CHC 6X30
8	2938*	VIS CHC 6X12	SCREW CHC 6X12	TORNILLO CHC 6X12
9	0364	CENTRALE CLIGNOTANTS	INDICATIVE LIGHT SYSTEM	CENTRAL INTERMITENCIA
11	C424	RONDELLE M10	WASHER M10	ARANDELA M10
12	M304	ECROU NYLSTOP M10	NUT NYLSTOP M10	TUERCA NYLSTOP M10
13	4069	CLIGNOTEUR	TURN LIGHT	INTERMITENTE
14	6580	AMPOULE 10W 12V	LGHT BULB 10W 12V	BOMBILLA INTERMITENTES 10W 12V
15	0447	KLAXON END 450	HORN END 450	CLAXON END 450
16	M317	RONDELLE 6X12	WASHER X6	ARANDELA 6 DIN 125 A
17	M251	VIS CHC 6X16	SCREW CHC 6X16	TORNILLO 6X16 DIN 912
18	3053	OPTIQUE PHARE COMPLET	FRONT LIGHT ASSEMBLY	FARO DELANTERO
19	----	AMPOULE POSITION WSW	POSITION LIGHT BULB WSW	BOMBILLA POSICIÓN WSW
20	C403	AMPO. PHARE HOMOL. 35/35W 12V	HEADLIGHT BULB 35/35W 12V	BOMBILLA FARO 35/35W 12V
21	M331	COLLIER RISLAN 100X2.5	ZIP TIE 100X2.5	ABRAZADERA 100X2.5
22	M330	COLLIER RISLAN 178X4.8	ZIP TIE 178X4.8	ABRAZADERA 178X4.8
23	C441	COLLIER RISLAN 208X4.8	ZIP TIE 208X4.8	ABRAZADERA 208X4.8
24	7553*	CONDENSATEUR	CAPACITOR	CONDENSADOR
25	7527*	SOLENOÏDE	SOLENOID	SOLENOIDE
26	7528*	FILTRE SOLENOÏDE	SOLENOID FILTER	FILTRO DE SOLENOIDE
27	4639	BOBINE HT 50 EVO	COIL HT	BOBINA HT 50
28	7422*	DURITE EVENT 150MM	DRAIN TUBE 150MM	TUBO DE DRAJAJE 150MM
29	4640	REGULATEUR 50 EVO	REGULATOR 50 EVO	REGULADOR 50 EVO
30	7031*	FAISCEAU ELECTRIQUE 50 EURO 4	ELECTRIC HARNESS 50 EURO 4	INSTALACIÓN ELÉCTRICA 50 EURO 4
31	7423*	DURITE EVENT 400MM	DRAIN TUBE 400MM	TUBO DE DRAJAJE 400MM
32	7531*	FAISCEAU CAPTEUR VITESSE	SPEED SENSOR HARNESS	SENSOR DE VELOCIDAD INSTALACIÓN
34	3506	FEU AR	REAR LIGHT	FARO TRAS.
36	H146	ANTIPARASITE	ANTIPARASITE	ANTIPARASITO

### Faisceau électrique / Electrical system / Instalación eléctrica



POS.	50	FRANÇAIS	ENGLISH	ESPAÑOL
37	3510	ECLAIRAGE PLAQUE MMATRICULATION	PLATE NUMBER REAR LIGTH	FARO PLACA MATRICULA
39	M378	ECROU CLIP M5	NUT CLIP M5	TUERCA CLIP M5
41	M318	RONDELLE M4	WASHER M4	ARANDELA M4
42	M307	ECROU M4	NUT M4	TUERCA M4
43	7526*	CDI EURO 4	CDI EURO 4	CDI EURO 4
46	M306	ECROU NYLSTOP M6	NUT NYLSTOP M6	TUERCA NYLSTOP M6
47	C409	VIS CHC M6X10	SCREW CHC M6X10	TORNILLO CHC M6X10
48	M267	VIS CHC 4X16	SCREW CHC 4X16	TORNILLO CHC 4X16

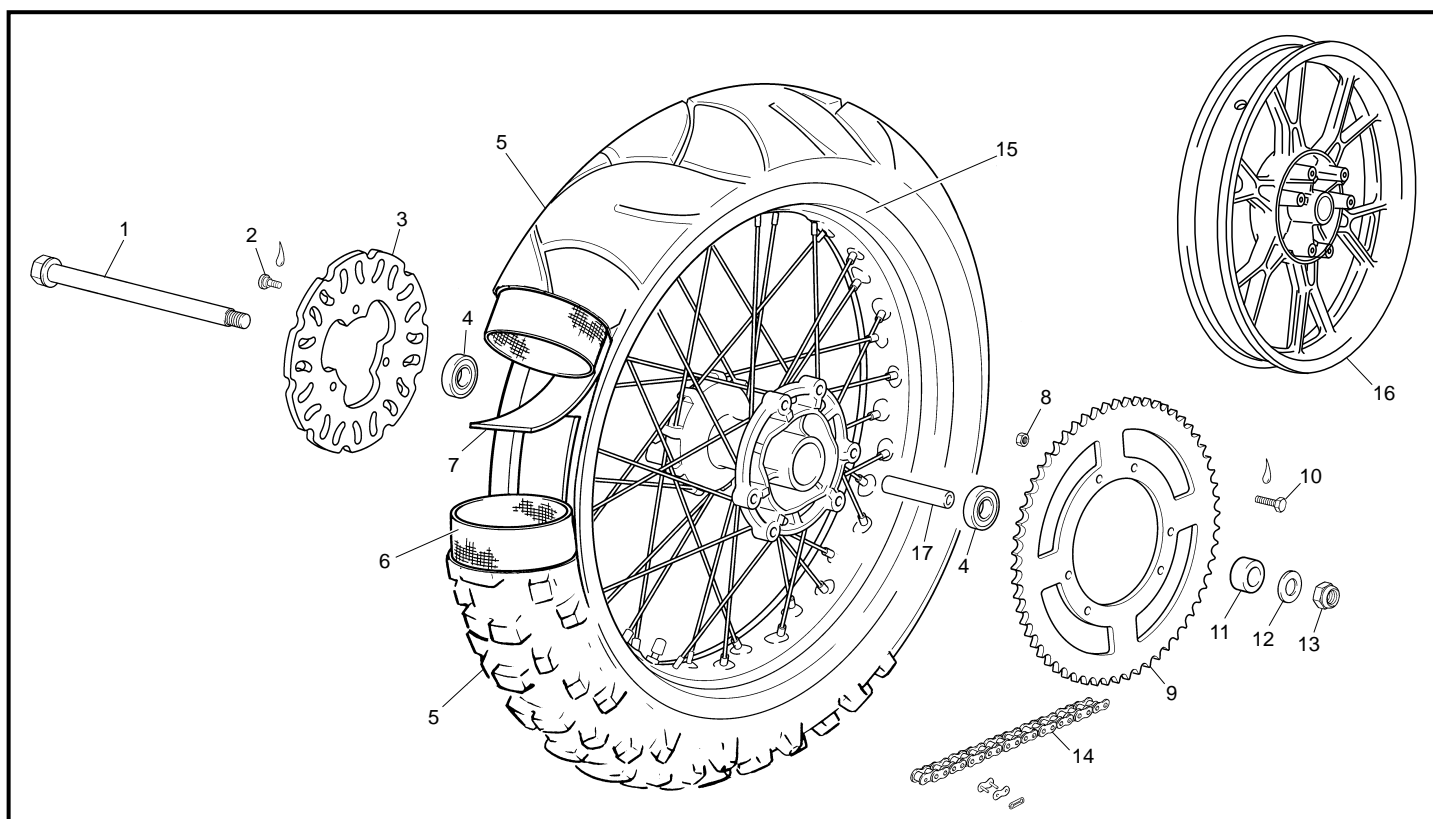
\* NOUVELLE PIECE  
NEW PART  
PIEZA NUEVA

**Roue avant / Front wheel / Rueda delantera**


POS.	50 SM	50 END	FRANÇAIS	ENGLISH	ESPAÑOL
1	7322	7322	AXE ROUE AVANT RACING	FRONT WHEEL AXLE RACING	EJE RUEDA DELANTERA RACING
2	7323	7323	ENTRETOISE ROUE AV. RACING	FRONT WHEEL WASHER RACING	ARRANDUELA RUEDA DELANTERA
3	R360	R360	ROULEMENT MOYEU AV.	HUB BEARING	RODAMIENTO BUJE
4	H080	----	PNEU AV. SM 100/80.17	FRONT TYRE SM 100/80.17	NEUMÁTICO DEL. SM 100/80.17
4	----	H084	PNEU AV. END 90/90.21	FRONT TYRE END 90/90.21	NEUMÁTICO DEL. END 90/90.21
5	H081	----	CHAMBRE AV. SM 300 X 17	FRONT INNER TUBE SM 300 X 17	CAMARA DELANTERA SM 300 X 17
5	----	H077	CHAMBRE AV. END 300 X 21	FRONT INNER TUBE END 300 X 21	CAMARA DEL. END 300 X 21
6	----	H078	CORDON JANTE AV. END	FRONT RIM RUBBER BAND END	BANDA LLANTA DEL. END
7	----	7273*	DISQUE AV. 50/125 END 260MM EVO	BRAKE DISK 50/125 END 260MM EVO	DISCO DEL. 50/125 END 260MM EVO
7	7272*	----	DISQUE AV. SM 50/125 300MM EVO	BRAKE DISK SM 50/125 300MM EVO	DISCO DEL. SM 50/125 300MM EVO
8	M252	M252	VIS CHC M6 X 20	SCREW CHC M6 X 20	TORNILLO CHC M6 X 20
9	----	2122	ROUE AV. 50 END TITANE	FRONT WHEEL 50 END TITANIUM	RUEDA DEL. 50 END TITANIO
10	0444	----	ECROU M12	SCREW M12	TUERCA M12
11	7534	----	ROUE AVANT 50 SM (SANS PNEU.)	FRONT WHEEL 50 SM (W/O TYRE)	RUEDA DELANTERA (SIN NEUMÁTICO)
12	7533*	7533*	AIMANT FACOMSA	MAGNETIC BOLT FACOMSA	IMAN SENSOR FACOMSA
13	7532*	7532*	CIRCLIP AIMANT FACOMSA	CIRCLIP FACOMSA	CIRCLIP FACOMSA

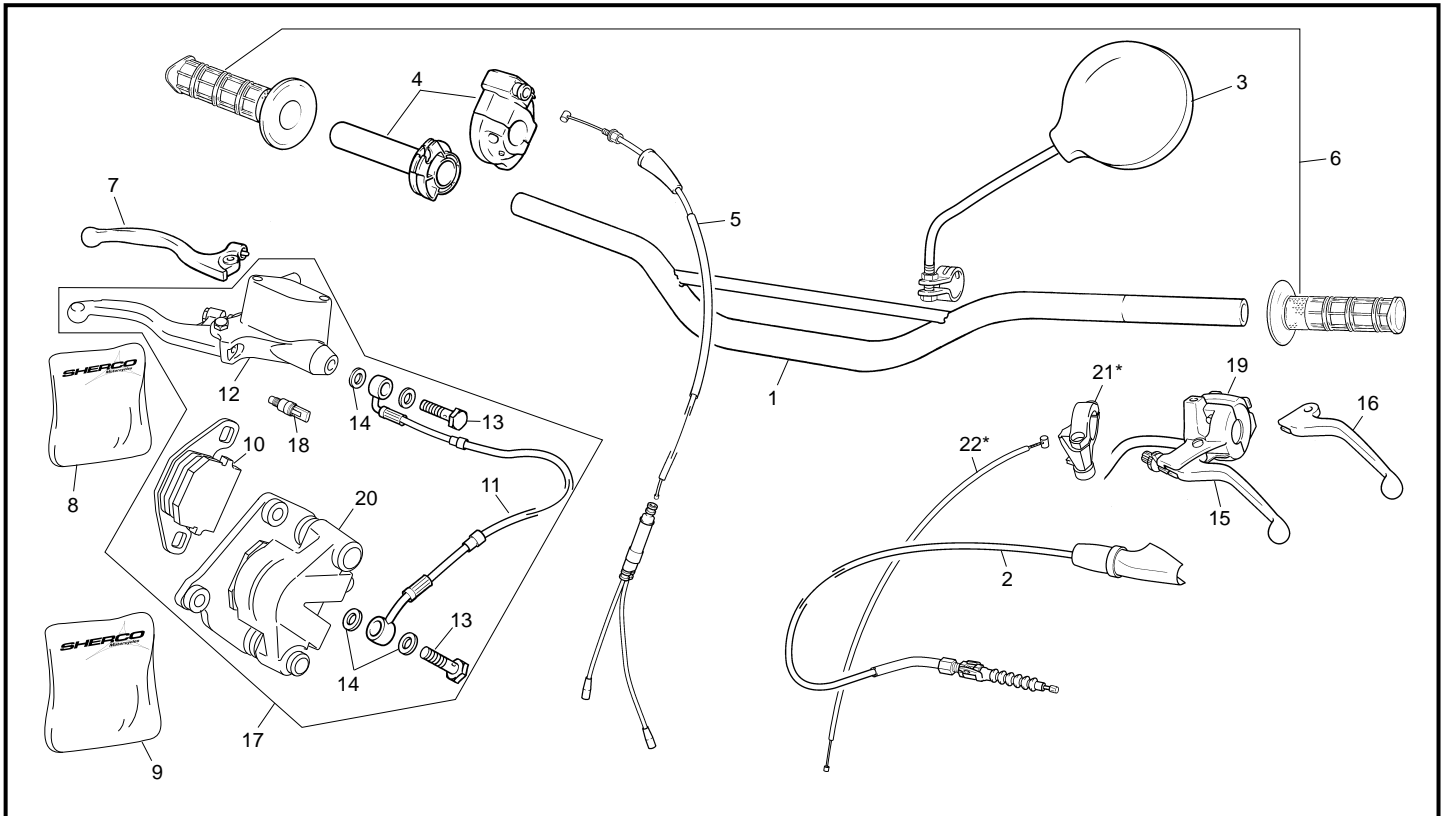
\* NOUVELLE PIECE  
NEW PART  
PIEZA NUEVA

### Roue arriere / Rear wheel / Rueda trasera



POS.	50 SM	50 END	FRANÇAIS	ENGLISH	ESPAÑOL
1	H401	H401	AXE ROUE ARRIERE 50/125 06	REAR AXLE	EJE RUEDA TRAS.
2	0452	0452	VIS SPECIALE DISQUE	SCREW SPECIAL BRAKE DISC	TORNILLO ESPECIAL DISCO FRENO
3	1735	1735	DISQUE FREIN ARR 50/125 06	BRAKE DISK REAR 50/125 06	DISCO FRENO TRAS. 50/125 06
4	R362	R362	ROULEMENT MOYEU AR	HUB DEARING	RODAMIENTO BUJE
5	H083	----	PNEU ARR SM 130/70.17	REAR TYRE SM 130/70.17	NEUMÁTICO TRAS. SM 130/70.17
5	----	H086	PNEU ARR END 110/80.18	REAR TYRE SM 110/80.18	NEUMÁTICO TRASERO END 110/80.18
6	H082	----	CHAMBRE AR. SM 400 X 17	REAR INNER TUBE SM 400 X 17	CAMARA TRASERA SM 400 X 17
6	----	H088	CHAMBRE AR. END 300 X 18	REAR INNER TUBE END 300 X 18	CAMARA TRASERA END 300 X 18
7	H079	H079	CORDON JANTE 17	17 RIM RUBBER BAND	BANDA LLANTA 17
8	M305	M305	ECROU NYLSTOP M8	NUT NYLSTOP M8	TUERCA NYLSTOP M8
9	H251	----	COURONNE 60 D 50 SM ALU	REAR SPROCKET 60 Z 50 SM ALU	CORONA TRASERA 60 Z 50 SM ALU
9	----	H108	COURONNE 56 DTS 50 CC	REAR SPROCKET 56 Z 50 CC	CORONA 56 Z 50 CC
10	C420	C420	VIS HEXAG 8 X 30	SCREW 8 X 30	TORNILLO 8 X 30
11	H403	H403	ENTRETOISE ROUE ARRIERE	REAR WHEEL SPACER	CASQUILLO RUEDA TRAS.
12	C426	C426	RONDELLE M16	WASHER M16	ARANDELA M16
13	C417	C417	ECROU NYLSTOP M16 X 150	NUT NYLSTOP M16 X 150	TUERCA NYLSTOP M16 X 150
14	H106	----	CHAINE 134 M 50	CHAIN 134 Z 50	CADENA 134 Z 50
14	----	H356	CHAINE 132 M 50 END	CHAIN 132 Z 50 ENDURO	CADENA 132 Z 50 ENDURO
15	----	2123	ROUE AR. 50 END TITANE	REAR WHEEL 50 END TITANIUM	RUEDA TRAS. 50 END TITANIO
16	2228	----	ROUE ARRIÈRE 50 SM (S. PNEU.)	REAR WHEEL 50 SM (W/O TYRE)	RUEDA TRASERA (SIN NEUMÁTICO)
17	----	R363	ENTRETOISE ARRIERE MOYEU 50 END	REAR HUB SPACER 50 END	SEPARADOR INT. BUJE TRASERA 50 END

### Guidon / Handlebar / Manillar

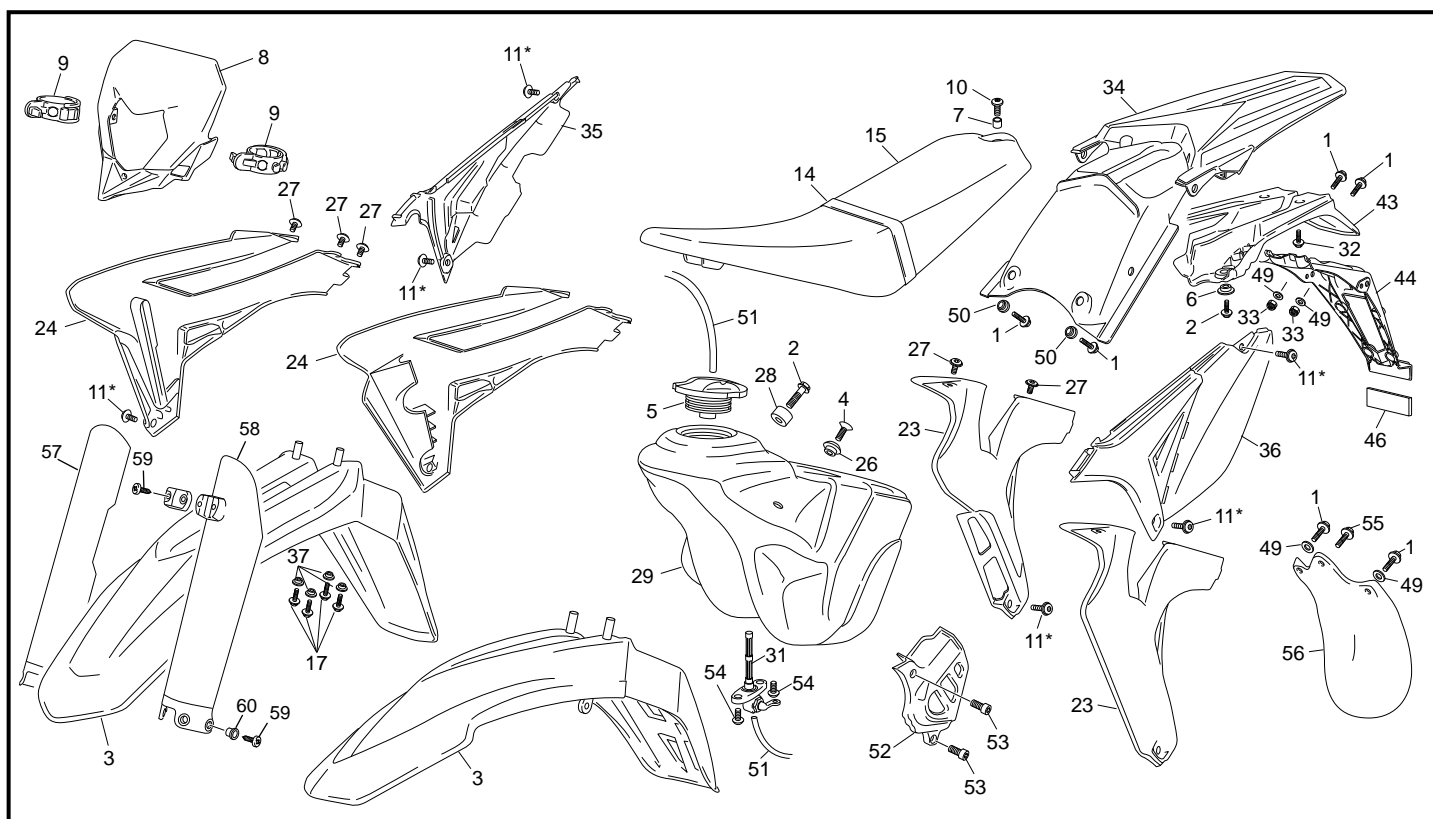


POS.	50	FRANÇAIS	ENGLISH	ESPAÑOL
1	6978	GUIDON	HANDLEBAR	MANILLAR
2	H144	CABLE EMBRAYAGE 50 END	CLUTCH CABLE ENDURO 50	CABLE EMBRAGUE 50 ENDURO
3	S232	RETROVISEUR	DRIVING MIRROR	RETROVISOR
4	C074	COMMANDE DE GAZ	THROTTLE ASSEMBY	MANDO GAS
5	1569	CABLE DE GAZ	THROTTLE CABLE	CABLE DE GAS
6	3451	POIGNETS CAOUTCHOUC (D-G)	HANDLEBAR GRIP (RIGHT AND LEFT)	PUÑOS (DERECHO Y IZQUIERDO)
7	4306	LEVIER FREIN AVANT J.JUAN	FRONT BRAKE LEVER J.JUAN	MANETA FRENO J.JUAN
8	4082	KIT REPARATION POMPE FREIN J.JUAN	BRAKE MASTER CYLINDER REPAIR KIT	KIT REPA. BOMBA DE FRENO J.JUAN
9	4083	KIT REPARATION ETRIER J.JUAN	BRAKE CALIPER REPAIR KIT J.JUAN	KIT REPA. PINZA DEL. J.JUAN
10	4084	PLAQUETTES FREIN AV PAIRE	FRONT BRAKE PADS (SET)	JUEGO PASTILLAS FRENO DEL.
11	4085	DURITE FREIN AV.	FRONT BRAKE HOSE	LATIGUILLO FRENO DELANTERO
12	4086	POMPE COMPLETE 50	MASTER CYLINDER 50	BOMBA COMPLETEA 50
13	R059	VIS BANJO	SCREW	TORNILLO BANJO
14	R074	RONDILLE BANJO 10X14X15.	WASHER 10X14X15.	ARANDELA BANJO 10X14X15.
15	4235	COCOTTE EMBRAYAGUE COMPL.	CLUTCH CONTROL COMPLETE	MANDO EMBRAGUE COMPLETO
16	1186	LEVIER EMBRAYAGE NOIR	CLUTCH LEVER BLACK	MANETA EMBRAGUE NEGRA
16	4236	LEVIER EMBRAYAGE GRIS	CLUTCH LEVER GREY	MANETA EMBRAGUE GRIS
17	3613	GROUPE FREIN AV CPL	FRONT BRAKE SYSTEM	CONJUNTO FRENO DELANTERO
18	4307	CONTACTEUR FREIN AV.	FRONT BRAKE LIGHT SWITCH	INTERRUPTOR FRENO DELANTERO
19	H431	COMMODO ELECTRIQUE	ELECTRIC COMMANDE 50	CONMUTADOR ELÉCTRICO 50
20	4087	ETRIER FREIN AV. SIMPLE PISTON J.JUAN	FRONT CALIPER ONE PISTON J.JUAN	PINZA FRENO DEL. PISTÓN SIMP. J.JUAN
21	7399*	LEVIER STARTER COMPLET	CHOKE LEVER COMPLET	LEVA ESTARTER COMPLETA
22	7413*	CABLE STARTER 50 EURO 4	STARTER CABLE 50 EURO 4	CABLE ESTARTER 50 EURO 4

\* NOUVELLE PIECE  
NEW PART  
PIEZA NUEVA

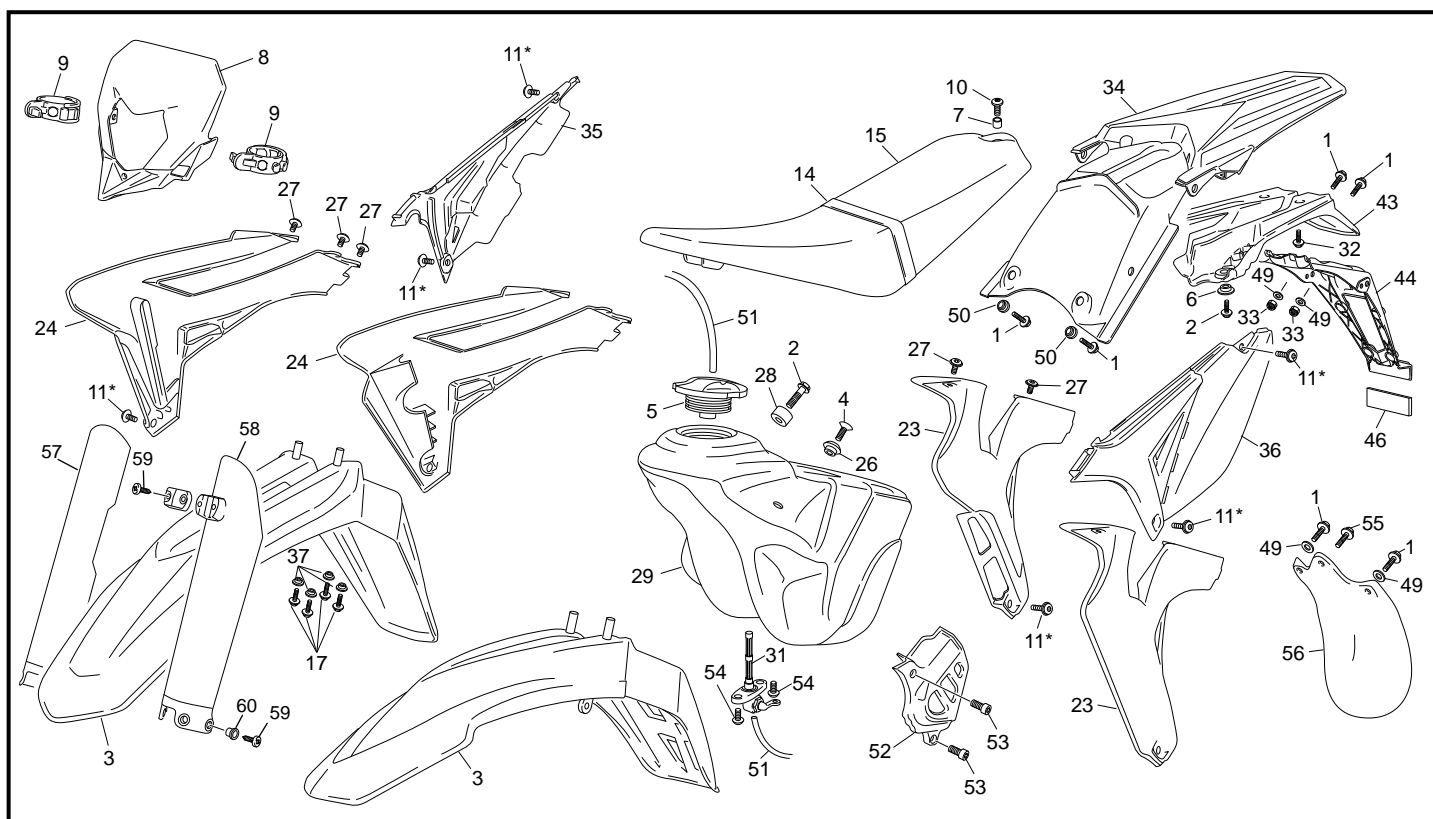


### Plastiques / Plastics / Plásticos



POS.	50 FACTORY	50 SILVER	50 AMERICA	50 SIX DAYS	FRANÇAIS	ENGLISH	ESPAÑOL
1	M283	M283	M283	M283	VIS BHC M6X16	SCREW BHC M6X16	TORNILLO BHC M6X16
2	M252	M252	M252	M252	VIS CHC M6X20	SCREW CHC M6X20	TORNILLO CHC M6X20
3	----	4260	----	----	PARE BOUE AVANT NOIR SM EVO	FRONT MUDGUARD SM BLACK EVO	GUARDABARRO NEGRO SM EVO
3	----	----	5010	5010	PARE BOUE AVANT BLANC SM EVO	FRONT MUDGUARD SM WHITE EVO	GUARDABARRO BLANCO SM EVO
3	3064	----	----	----	PARE BOUE AVANT BLUE END	FRONT MUDGUARD BLUE END	GUARDABARROS DEL AZUL END
4	C432	C432	C432	C432	VIS FHC M6X16	SCREW FHC M6X16	TORNILLO FHC M6 X 16
5	H398	H398	H398	H398	BOUCHON ESSENCE PLAT ACERBIS	PETROL CAP	TAPON GASOLINA PLANO ACERBIS
5	4847	4847	4847	4847	BOUCHON ESSENCE A CLEF	PETROL CAP WITH KEY	TAPON GASOLINA CON LLAVE
6	3097	3097	3097	3097	ENTRETOISE DE CARROSSERIE 1	PLASTIC SPACER 1	DISTANCIADOR PARA PLASTICOS 1
7	1756	1756	1756	1756	ENTRETOISE SELLE	SEAT SPACER	CASQUILLO SILLIN
8	----	5051	----	----	PLAQUE PHARE SM NOIR	FRONT LIGHT PLASTIC SM BLACK	PLACA FARO SM NEGRA
8	3065	----	3065	3065	PLAQUE PHARE	FRONT LIGHT PLASTIC	PLACA FARO
9	H050	H050	H050	H050	ELASTIQUE PLAQUE PHARE	FRONT LIGHT RUBBER BAND	ELASTICO PLACA FARO
10	M284	M284	M284	M284	VIS BHC 6 X 25 ACZI NOIRE	SCREW BHC M6X25 BLACK	TORNILLO 6 X 25 ULS NEGRO
11	5201*	5201*	5201*	5201*	VIS THEP 6X16	SPECIAL SCREW THEP 6X16	TORNILLO ESPECIAL THEP 6X16
14	0793	0793	0793	0793	SANGLE. HOM	HANDLE	ASA
15	3060	3060	3060	3060	SELLE BASSE STANDARD	STANDARD LOW SEAT	SILLIN STANDARD BAJA
17	0546	0546	0546	0546	VIS THEP M6X20	SCREW THEP M6X20	TORNILLO THEP M6X20
23	----	5007	5007	5007	OUIE AVANT GAUCHE NOIRE	LH RADIATOR SIDE PANEL BLACK	PLACA RADIADOR IZQ. NEGRA
23	4670	----	----	----	OUIE AVANT GAUCHE BLEUE	LH RADIATOR SIDE PANEL BLUE	PLACA RADIADOR IZQ. AZUL
24	----	5006	5006	5006	OUIE AVANT DROITE NOIRE	RH RADIATOR SIDE PANEL BLACK	PLACA RADIADOR DER. NEGRA
24	4669	----	----	----	OUIE AVANT DROITE BLEUE	RH RADIATOR SIDE PANEL BLUE	PLACA RADIADOR DER. AZUL
26	0497	0497	0497	0497	FIXATION SELLE RESERVOIR	SPACER SEAT TANK	CASQUILLO SILLIN DEPOSITO
27	3554	3554	3554	3554	VIS BHC E M6X8	SCREW BHC E M6X8	TORNILLO BHC E M6X8
28	0238	0238	0238	0238	BUTÉE PLASTIQUE	RUBBER TANK	TOPE GOMA
29	4948	4948	4948	4948	RESERVOIR ESSENCE 50	PETROL TANK 50	DEPOSITO 50
31	C023	C023	C023	C023	ROBINET D'ESSENCE	PETROL TAP	GRIFO GASOLINA
32	3555	3555	3555	3555	VIS PLASTIQUE M5X18	PLASTIC SCEW M5X18	TORNILLO POR PLASTICO M5X18
33	M306	M306	M306	M306	ECROU NYLSTOP M6	NUT NYLSTOP M6	TUERCA NYLSTOP M6
34	----	5008	----	----	PARE BOUE ARRIERE END NOIR	REAR MUDGUARD END BLACK	GUARDABARRO TRAS END. NEGRO
34	3057	----	3057	3057	PARE BOUE ARRIERE END BLANC	REAR MUDGUARD END WHITE	GUARDABARRO TRAS END. BLANCO
35	3058	----	5009	5009	PLAQUE LATÉRALE DROITE	RH NUMBER PLATE	PLACO N°DER
35	----	5049	----	----	PLAQUE LATÉRALE DROITE SM NOIRE	RH NUMBER PLATE SM BLACK	PLACO N°DER SM NEGRA
36	3059	----	5012	5012	PLAQUE LATÉRALE GAUCHE	LH NUMBER PLATE	PLACO N° IZQ
36	----	5050	----	----	PLAQUE LATÉRALE GAUCHE SM NOIRE	LH NUMBER PLATE SM BLACK	PLACO N° IZQ SM NEGRA
37	M321	M321	M321	M321	RONDILLE 6X18X15	WASHER 6X18X15	ARANDELA 6X18X15
43	3519	3519	3519	3519	SUPPORT FEU AR END	BACK LIGHT HOLDER	SOPORTE FARO TRAS
44	3549	3549	3549	3549	SUPPORT PLAQUE IMMATRICULATION	SUPPORT NUMBER PLATE	SOPORTE PLACA MATRICULA
46	1252	1252	1252	1252	CATADIOPTRE ROUGE	REAR RETRO REFLECTOR RED	REFLECTOR TRASERO ROJO

### Plastiques / Plastics / Plásticos



POS.	50 FACTORY	50 SILVER	50 AMERICA	50 SIX DAYS	FRANÇAIS	ENGLISH	ESPAÑOL
49	C427	C427	C427	C427	RONDELLE M6X15	WASHER M6X15	ARANDELA M6X15
50	0565	0565	0565	0565	ENTRETOISE INOX CARROSSERIE 450	SPACER INOX BOODY 450 END	CASQ. INOX CARROCERIA 450 END
51	0252	0252	0252	0252	DURITE	PETROL HOSE	TUBO GASOLINA
52	H027	H027	H027	H027	CACHE PIGNON PLASTIQUE	FRONT SPROCKET PROTECTOR	PROTECTOR PIÑÓN SALIDA
53	M250	M250	M250	M250	VIS CHC 5 X 16 0084	SCREW CHC M5X16	TORNILLO CHC M5X16
54	M282	M282	M282	M282	VIS BHC M6X10	SCREW BHC M6X10	TORNILLO BHC M6X10
55	0576	0576	0576	0576	VIS AUTO FIL 4,9X13L	SCREW AUTO THREADING 4.9X13L	TORNILLO AUTORROSCANTE 4.9 X 13 L
56	0288	0288	0288	0288	BAVETTE DE FILTRE	FILTER GUARD	BAVETTE FILTRO
57	0355	0355	0355	0355	PROTECTEUR FOURCHE DR END	RIGHT FORK PROTECTOR END	PROTECTOR HORQUILLA DER END
58	0356	0356	0356	0356	PROTECTEUR FOURCHE GA END	LEFT FORK PROTECTOR END	PROTECTOR HORQUILLA IZQ END
59	M283	M283	M283	M283	VIS BHC 6X16	SCREW BHC 6x16	TORNILLO 6x16
60	6756	6756	6756	6756	ENTRETOISE PROT. FOURCHE XPLOR	SPACER BODY XPLOR	CASQUILLO CARROCERIA XPLOR

\* NOUVELLE PIECE  
NEW PART  
PIEZA NUEVA

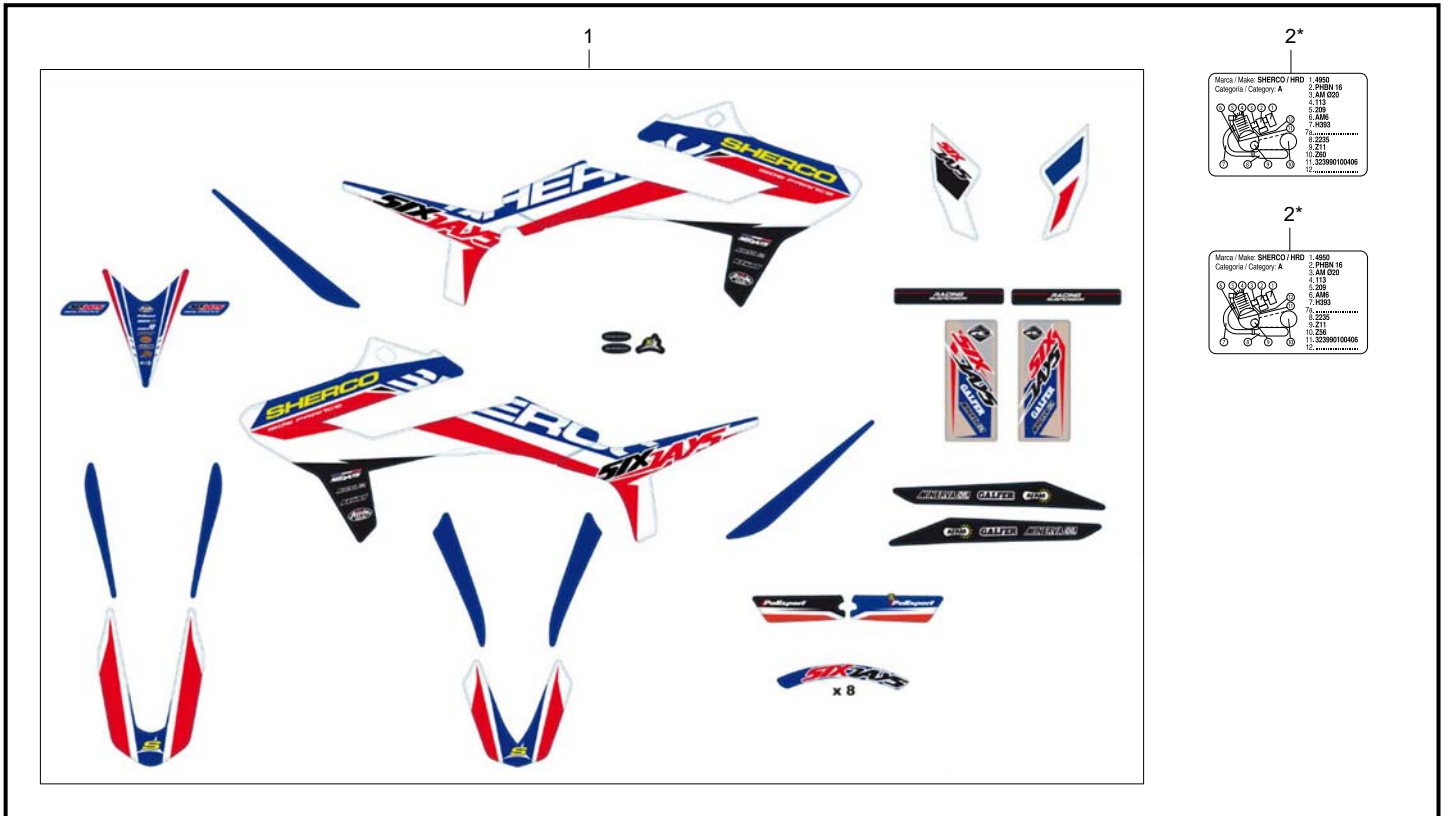
### Adhesif / Sticker / Adhesivo FACTORY



POS.	50 SM	50 END	FRANÇAIS	ENGLISH	ESPAÑOL
1	7333	7333	KIT ADHESIF 50CC FACTORY 2018	50CC FACTORY STICKER KIT 2018	PRODUCCION KIT 50CC FACTORY 2018
2	5610*	----	ADH. PLAQUE ANTI MANIPULATION SM	STICKER ANT-TAMPERING PLATE SM	ADH.PLACA ANTI MANIPULACION SM
2	----	5609*	ADH. PLAQ. ANTI MANIPULATION END	STICKER ANT-TAMPERING PLATE END	ADH.PLACA ANTI MANIPULACION END

\* NOUVELLE PIECE  
NEW PART  
PIEZA NUEVA

### Adhesif / Sticker / Adhesivo SIX DAYS



POS.	50 SM	50 END	FRANÇAIS	ENGLISH	ESPAÑOL
1	7033	7033	KIT ADHESIF 50CC SIX DAYS 2018	50CC SIX DAYS STICKER KIT END 2018	PRODUCCION KIT 50CC SIX DAYS 2018
2	5610*	----	ADH. PLAQUE ANTI MANIPULATION SM	STICKER ANT-TAMPERING PLATE SM	ADH.PLACA ANTI MANIPULACION SM
2	----	5609*	ADH. PLAQUE ANTI MANIPULATION END	STICKER ANT-TAMPERING PLATE END	ADH.PLACA ANTI MANIPULACION END

\* NOUVELLE PIECE  
NEW PART  
PIEZA NUEVA

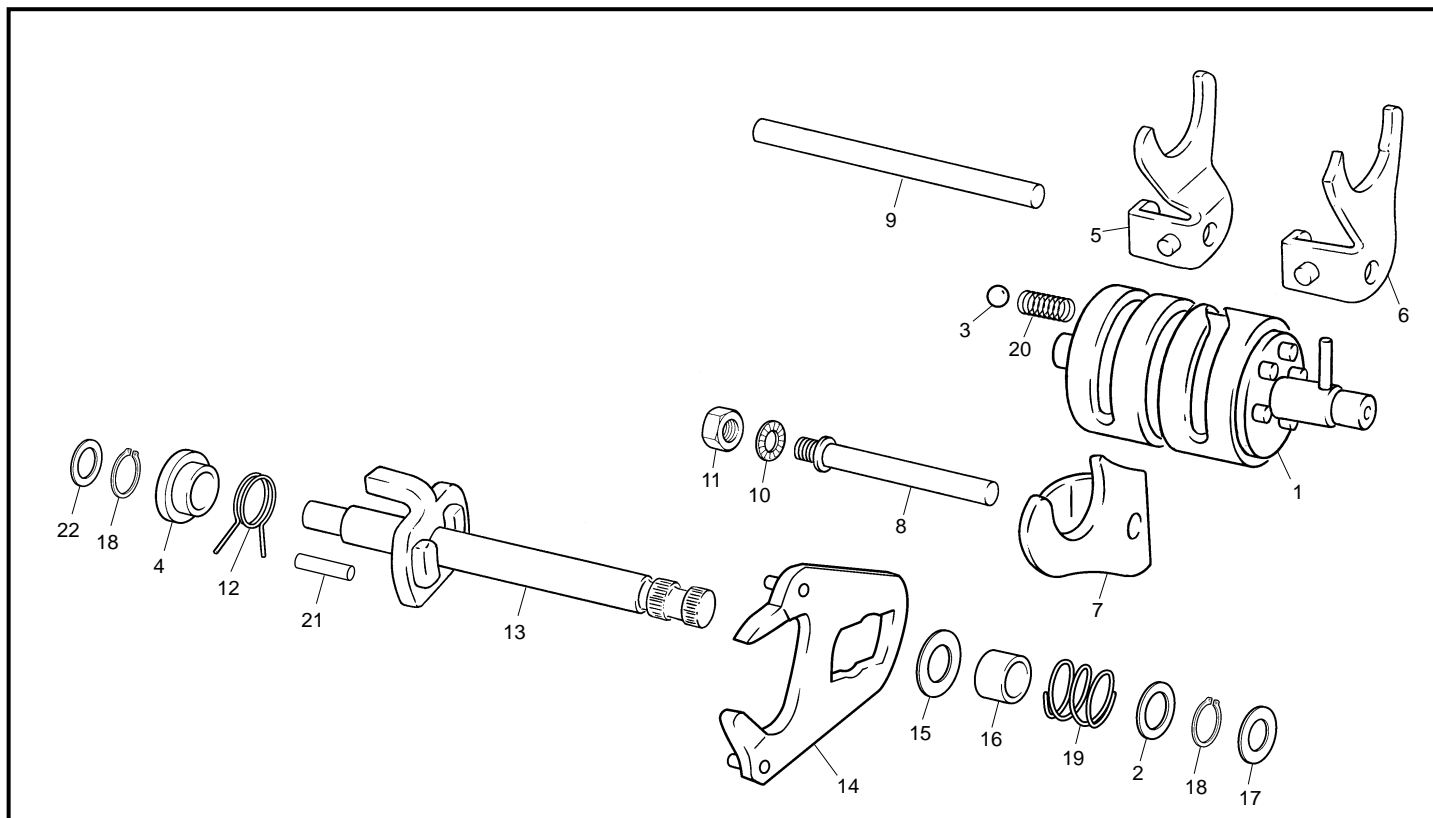
### Adhesif / Sticker / Adhesivo SILVER



POS.	50 SM	50 END	FRANÇAIS	ENGLISH	ESPAÑOL
1	7330	7330	KIT ADHESIF 50CC SILVER 2018	50CC SILVER STICKER KIT 2018	PRODUCCION KIT 50CC SILVER 2018
2	5610*	----	ADH. PLAQUE ANTI MANIPULATION SM	STICKER ANT-TAMPERING PLATE SM	ADH.PLACA ANTI MANIPULACION SM
2	----	5609*	ADH. PLAQ. ANTI MANIPULATION END	STICKER ANT-TAMPERING PLATE END	ADH.PLACA ANTI MANIPULACION END

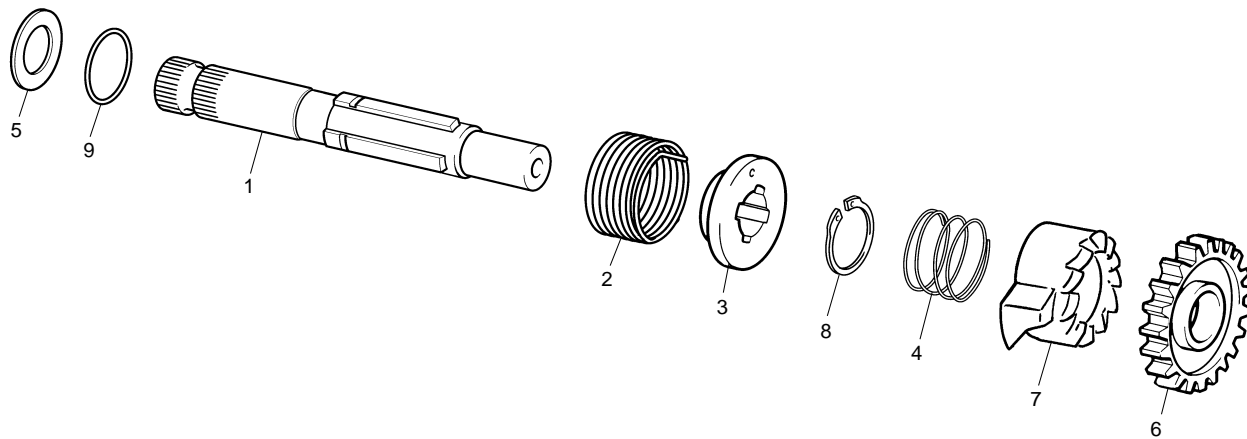
\* NOUVELLE PIECE  
NEW PART  
PIEZA NUEVA

### Selecteur / Gear selector group / Selector cambio



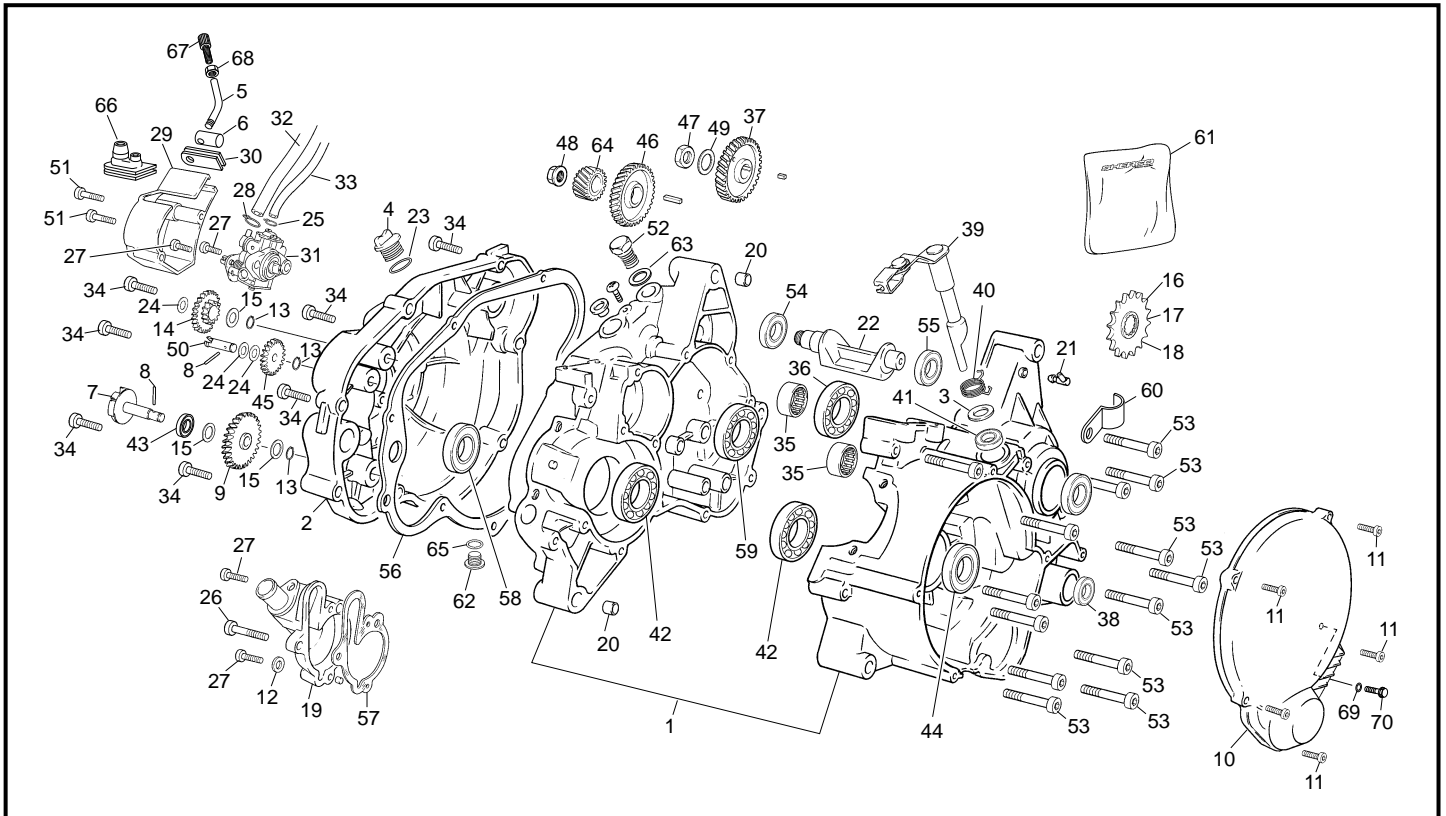
POS.	50	FRANÇAIS	ENGLISH	ESPAÑOL
1	Y017	BARRILLET VITESSE	SHIFT CAM	TAMBOR DE SELECCIÓN
2	Y103	RONDELLE	WASHER	ARANDELA
3	Y142	BILLE BARILLET VITESSE	BALL	BOLA TAMBOR SELECTOR
4	Y134	BAGUE GUIDE RESSORT SELECT	BUSHING SOLID	GUÍA MUELLE
5	Y042	FOURCHETTE	FORK	HORQUILLA
6	Y041	FOURCHETTE	FORK	HORQUILLA
7	Y043	FOURCHETTE	FORK	HORQUILLA
8	Y176	AXE FOURCHETTE	FORK AXLE	EJE HORQUILLA
9	Y177	AXE FOURCHETTE	FORK AXLE	EJE HORQUILLA
10	Y100	RONDELLE EVENTAIL	WASHER TOOTHED LOCK	ARANDELA
11	Y088	ECROU	NUT HEXAGON	TUERCA
12	Y075	RESSORT RAPPEL AXE SELECT	SPRING	MUELLE EJE SELECTOR
13	Y004	ARBRE SELECTEUR	SHIFT SHAFT	EJE SELECTOR
14	Y044	FOURCHETTE AXE SELECTEUR	FORK SHAFTAXLE	HORQUILLA EJE SELECTOR
15	Y107	RONDELLE	WASHER	ARANDELA
16	Y095	ENTRETOISE	FORK SPACER	CASQUILLO CAMPANA
17	Y102	RONDELLE	WASHER	ARANDELA
18	Y011	CIRCLIPS ARBRE D12	CIRCLIP	CIRCLIP ARBOL
19	Y074	RESSORT RAP CDT EMBRAYAGE	SPRING TORSION	MUELLE LEVA EMBRAGUE
20	Y079	RESSORT BILLE BARILLET	SPRING	MUELLE BOLA TAMBOR
21	6295	AXE	SHAFT	EJE
22	Y101	RONDELLE M10x0,6	WASHER M10x0,6	ARANDELA M10x0,6



**Lanceur / Kickstarter assembly / Pedal arranque**


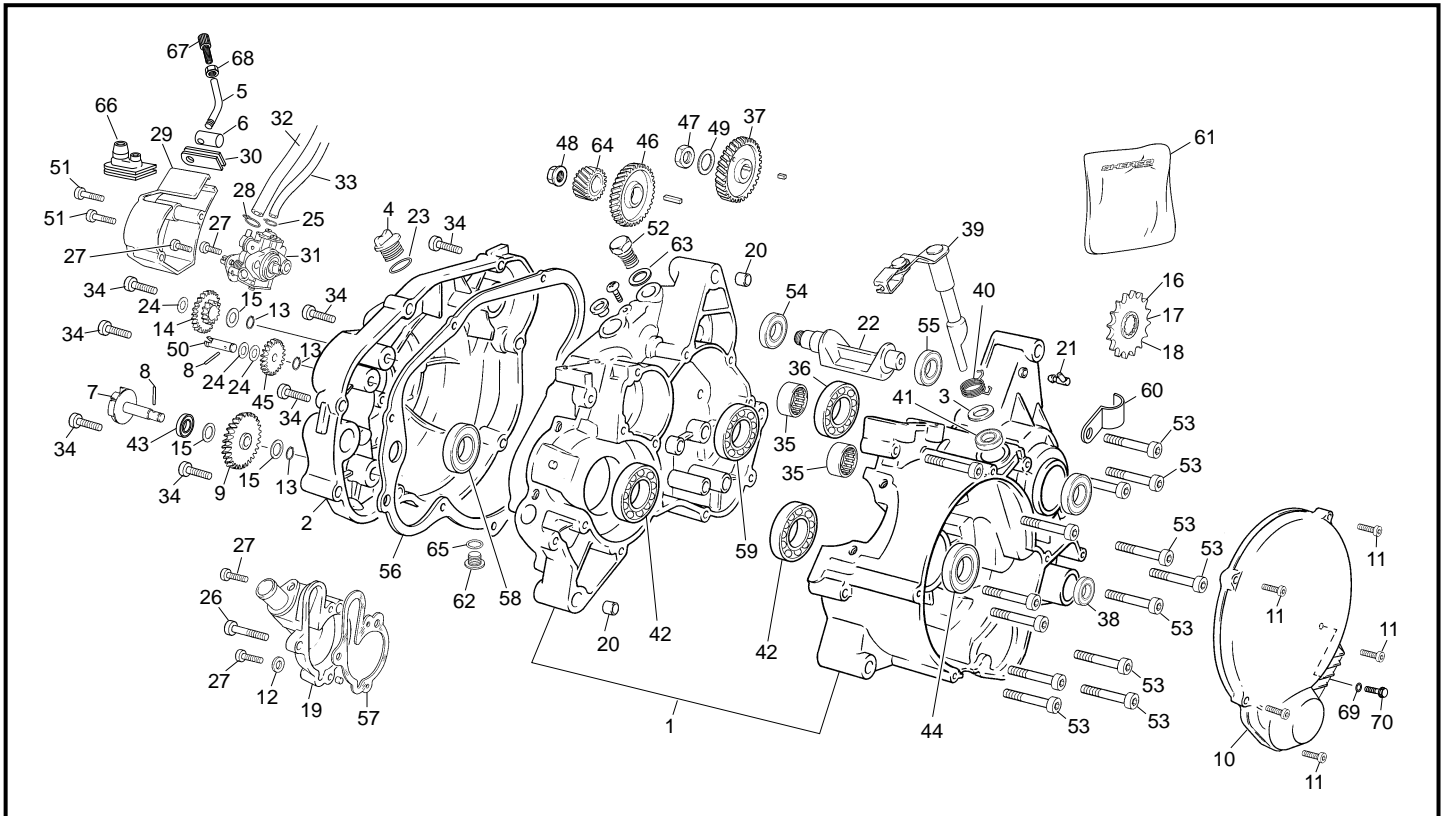
POS.	50	FRANÇAIS	ENGLISH	ESPAÑOL
1	6556	ARBRE DE KICK	KICK STARTER SHAFT	EJE ARRANQUE
2	6555	RESSORT RAPPEL KICK	SPRING	MUELLE ARRANQUE
3	6557	MOYEU RESSORT KICK	SPRING TORSION HUB	GUÍA MUELLE ARRANQUE
4	6313	RESSORT PIGNON FOU ARB KICK	SPRING	MUELLE PIÑÓN LOCO ARRANQUE
5	Y104	RONDELLE	WASHER	ARANDELA
6	6558	PIGNON FOU ARBRE DE KICK	KICK START SLIDING GEAR	PIÑÓN LOCO EJE ARRANQUE
7	6559	PIGNON ARBRE DE KICK	STARTING GEAR	PIÑÓN EJE ARRANQUE
8	Y013	CIRCLIP 17	CIRCLIP 17	CIRCLIP 17
9	Y143	JOINT TORIQUE	O RING	TÓRICA

### Groupe carters / Crankcase assembly / Grupo carters



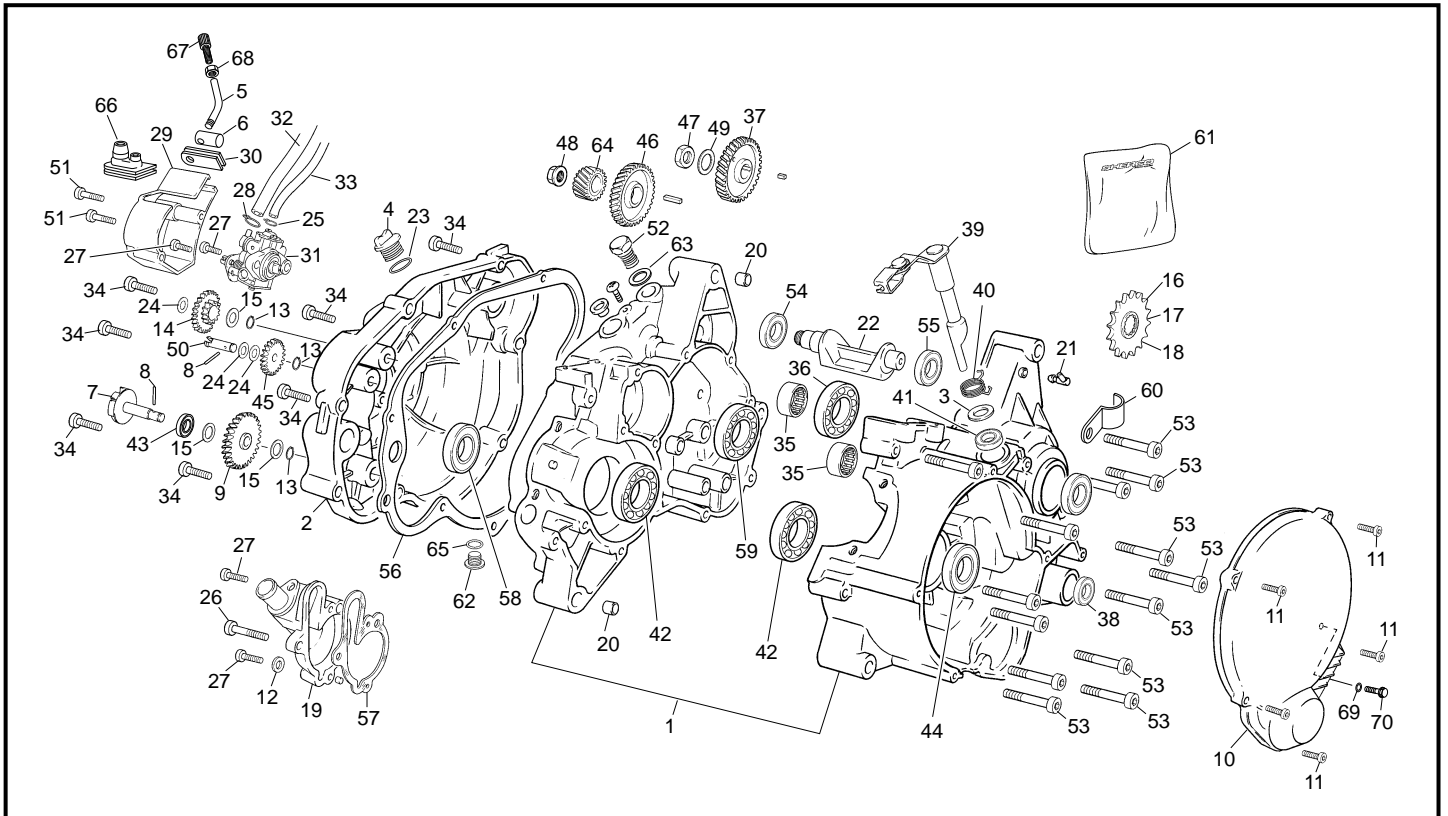
POS.	50	FRANÇAIS	ENGLISH	ESPAÑOL
1	6296	CARTER MOTEUR	CRANKCASE ASSY	CÁRTER MOTOR
2	6297	COUVERCLE CARTER EMBRA. NOIR	COVER CLUTCH SIDE BLACK	TAPA CÁRTER NEGRA
3	Y110	RONDELLE	WASHER	ARANDELA
4	Y038	BOUCHON REMPLISSAGE HUILE	OIL FILLER CAP	TAPÓN LLENADO ACEITE
5	6298	DEVIATION TUYAU HUILE	DEVIATING OIL LINE	CLIP FIJÓ
6	Y188	TENDEUR CABLE PPE HUILE	HOLDER	TENSOR CABLE
7	Y165	TURBINE PPE EALI	IMPELLER SHAFT ASSY	TURBINA BOMBA DE AGUA
8	Y172	PION CENTRAGE PPE	PIN DOWEL	CASQUILLO CENTRAJE BOMBA
9	Y065	PIGNON PPE	GEAR IMPELLER SHAFT	PIÑÓN BOMBA
10	4614	COUVERCLE CARTER ALLUMAGE NOIR	COVER FLYWEEL SIDE BLACK	TAPA CÁRTER ENCENDIO NEGRA
11	Y115	VIS BTR	SCREW BTR	TORNILLO BTR
12	Y128	RONDELLE	WASHER	ARANDELA
13	Y010	CIRCLIPS ARBRE D8	CIRCLIP	CIRCLIP ARBOL
14	Y060	PIGNON INTERMEDIAIRE	IDLE GEAR	PIÑÓN INTERMEDIO
15	Y127	RONDELLE	WASHER	ARANDELA
16	H249	PIGNON	PINION	PIÑÓN 13 D. SM
17	H109	PIGNON	PINION	PIÑÓN 12 D. END
18	H110	PIGNON	PINION	PIÑÓN 11 D. E1
19	6301	CARTER PPE EAU	COVER HOUSING	CÁRTER BOMBA AGUA
20	Y169	PION CENTRAGE	PIN DOWEL	CAS. CENTRADOR
21	Y019	RACCORD MISE	OIL BREATHER PIPE	DERIVACIÓN TUBO ACEITE
22	Y005	BALANCIER	BALANCER	EJE DE EQUILIBRADO
23	6304	O RING BOUCHON D' HUILE	O RING OIL SCREW	JUNTA TAPA ACEITE
24	Y126	RONDELLE 8,4X16X0,6	WASHER 8,4X16X0,6	ARANDELA 8,4X16X0,6
25	Y083	CLIPS FIX DURITE	CLAMP	CLIP FIGO
26	Y119	VIS BTR M6X55	SCREW BTR M6X55	TORNILLO M6X55
27	Y116	VIS BTR M6X25	SCREW M6X25	TORNILLO M6X25
28	6305	CLIP FIXATION DURITE HUILE	OIL HOSE FIXING CLIP	CLIP FIXACION TUBOS ACEITE
29	6306	COUVERCLE PPE HUILE	COVER OIL PUMP	TAPA BOMBA ACEITE
30	6307	PASSE CABLE PPE HUILE	GROMMET	PASA CABLES
31	2910	PPE HUILE	OIL PUMP	BOMBA ACEITE
32	Y034	TUBE SORTIE HUILE L 190	HOSE OIL	TUBO SALIDA ACEITE
33	Y035	TUBE ENTREE HUILE L 345	HOSE OIL	TUBO ENTRADA ACEITE
34	Y117	VIS BTR	SCREW BTR	TORNILLO BTR

### Groupe carters / Crankcase assembly / Grupo carters



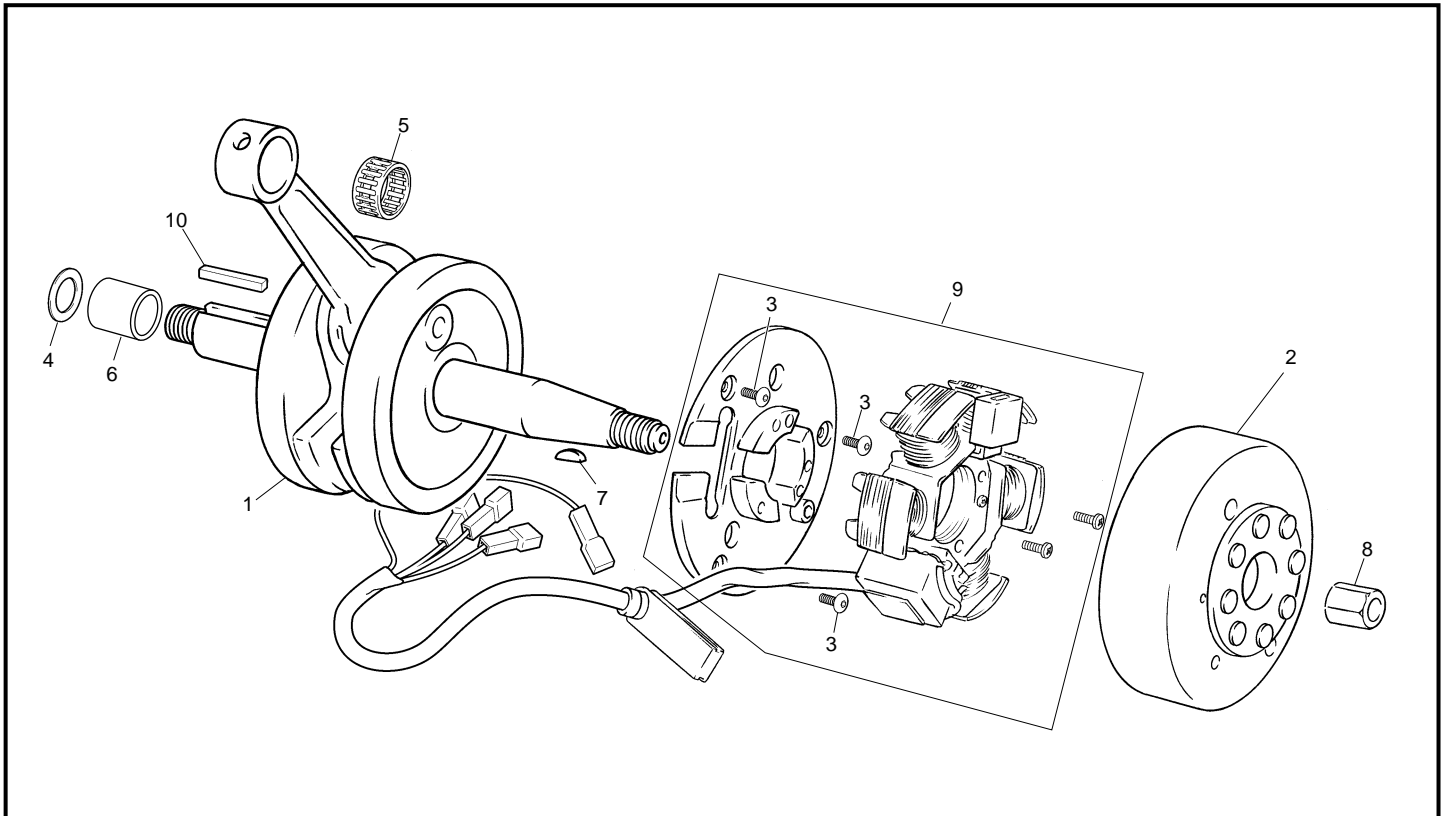
POS.	50	FRANÇAIS	ENGLISH	ESPAÑOL
35	Y133	CAGE AIGUILLE BOITE VITESSE	NEEDLE BEARING GEAR BOX	JAULA AGUJAS CÁMBIO
36	Y137	RLT ARBRE SECONDAIRE	BEARING DRIVE SHAFT	RODAMIENTO EJE SECUNDARIO
37	Y063	PIGNON	GEAR	PIÑÓN
38	Y158	JOINT SPI	SEAL RING	RETÉN CIGÜEÑAL
39	Y070	LEVIER EMBRAYAGE	PUSH LEVER ASSY	LEVA EMBRAGUE
40	Y076	RESSORT RAP CDT EMBRAYAGE	SPRING TORSION	MUELLE LEVA EMBRAGUE
41	Y159	JOINT SPI EMBRAYAGE	OIL SEAL	RETÉN LEVA EMBRAGUE
42	Y139	RLT VILLO	BEARING CRANKSHAFT	RODAMIENTO CIGÜEÑAL
43	Y161	JT SPI PPE EAU	OIL SEAL	RETÉN BOMBA DE AGUA
44	Y160	JT SPI VILLO GAUCHE	OIL SEAL LEFT	RETÉN CIGÜEÑAL IZQUIERDO
45	Y064	PIGNON PPE HUILE	PUMP DRIVE GEAR	PIÑÓN BOMBA ACEITE
46	Y062	PIGNÓN ENTRAINEMENT BALA.	GEAR DRIVE	PIÑÓN ENTRONQUE EQUILIBRADO
47	Y091	ECROU H5 CH 17	NUT HEXAGON	TUERCA
48	Y092	ECROU	NUT HEXAGON	TUERCA
49	Y103	RONDELLE H 11,5 CH17	WASHER H 11,5 CH17	ARANDELA H 11,5 CH17
50	Y178	ARBRE POMPE HUILE	PIN	EJE BOMBA ACEITE
51	6299	VIS BTR M5X35 ZN	SCREW BTR M5X35 ZN	TORNILLO BTR M5X35 ZN
52	Y122	VIS TH	SCREW HEXAGON HEAD	TORNILLO
53	Y118	VIS BTR	SCREW BTR	TORNILLO BTR
54	Y138	RLT ARBRE BALANCIER DROITE	BEARING RIGHT	RODAMIENTO EJE BALANCE DERECHO
55	Y135	RLT ARBRE BALANCIER GAUCHE	BEARING LEFT	RODAMIENTO EJE BALANCE IZQU.
56	Y151	JOINT COUVERCLE EMBRAYAGE	CLUTCH COVER GASKET	JUNTA TAPA EMBRAGUE
57	Y152	JOINT COUVERCLE POMPE EAU	PUMP WATER COVER GASKET	JUNTA TAPA BOMBA AGUA
58	Y162	JR SPI VILLO DROIT	OIL SEAL CRANKSHAFT RIGHT	RETEN CIGÜEÑAL EMBRAGUE
59	Y136	RLT ARBRE PRIMAIRE	BEARING MAIN SHAFT	RODAMIENTO EJE PRIMARIO
60	Y040	CROCHET DURITES	CARBURETOR HOSES HOOK	GANCHO MANGUITOS CABURADOR
61	Y208	SET JOINT	GASKET KIT	JUEGO JUNTAS
62	Y121	VIS TH VIDE	EMPTYING SCREW	TORNILLO VACIADO
63	Y153	JOINT VIS TH	GASKET SCREW TH	JUNTA TORNILLO TH
64	6560	PIGNON Z20	SPROCKET Z20	PIÑÓN MOTOR Z20
65	Y155	JOINT ALU 8 X 14 X 1	WASHER PLAIN 8 X 14 X 1 AL	ARANDELA ALUMINIO 8X14X1
66	6300	GOMME DURITE PPE À HUILE	OIL PUMP HOSES RUBBER	PASA TUBOS BOMBA ACEITE
67	6302	TENDEUR CABLE PPE À HUILE	OIL PUMP CABLE TENSIONER	ENSOR DE CABLE BOMBA ACEITE
68	6303	ECROU TENDEUR PPE À HUILE	OIL PUMP TENSIONER NUT	TUERCA TENSOR BOMBA ACEITE

**Groupe carters / Crankcase assembly / Grupo carters**



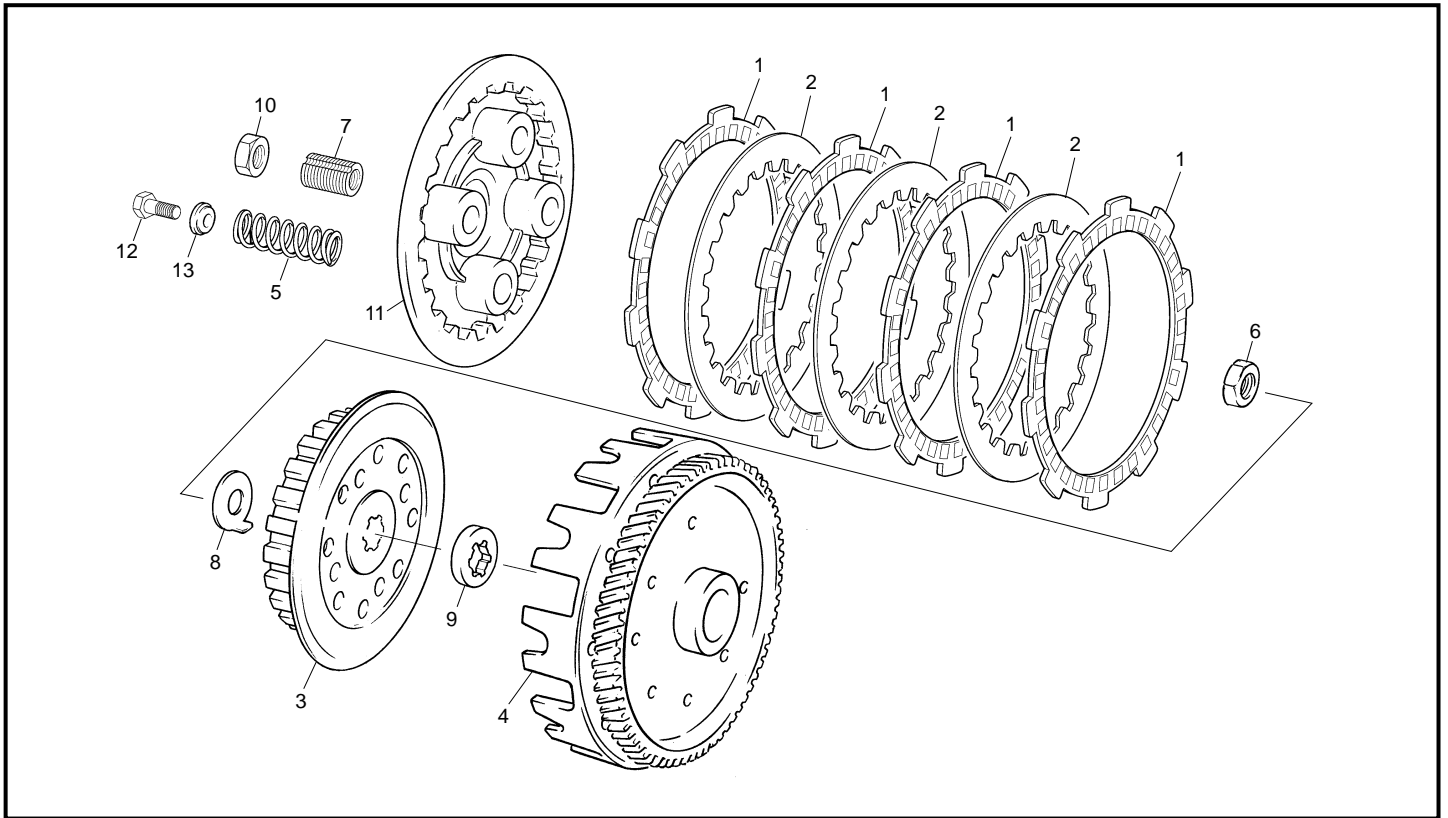
POS.	50	FRANÇAIS	ENGLISH	ESPAÑOL
69	Y154	RONDILLE NIVEAU D'HUILE	OIL LEVEL WASHER	ARANDELA NIVEL ACEITE
70	Y112	VIS NIVEAU D'HUILE	OIL LEVEL SCREW	TORNILLO NIVEL ACEITE

**Villebrequin assemble / Crankshaft assembly / Cigüeñal biela**



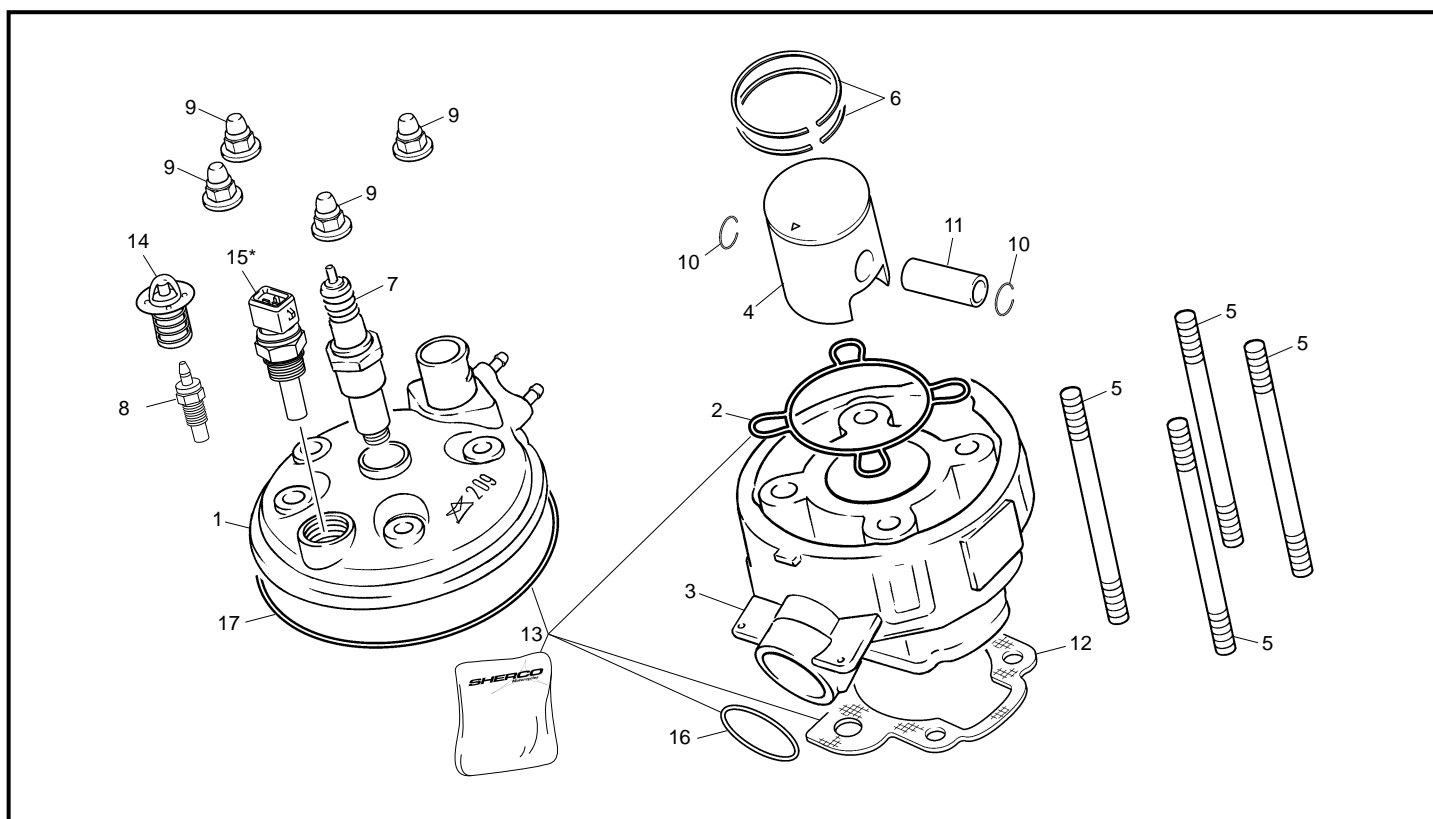
POS.	50	FRANÇAIS	ENGLISH	ESPAÑOL
1	Y048	EMBIELLAGE COMPLET	CRANKSHAFT ASSY	CONJUNTO CIGÜEÑAL
2	4643	ROTOR EVO	ROTOR EVO	ROTOR EVO
3	Y123	VIS TH	SCREW HEXAGON HEAD	TORNILLO DIN 912
4	Y143	JOINT TORIQUE	O RING	TÓRICA
5	Y140	CAGE AIGUILLE PISTON	NEEDLE BEARING	COJINETE AGUJAS PISTÓN
6	6561	ENTRETOISSE VILO	CRANKSHAFT SPACER	CASQUILLO CIGÜEÑAL
7	Y087	VIS BTR	SCREW BTR	CHAVETA VOLANTE ENCEN. TUERCA
8	Y093	ECROU	NUT HEXAGON	TUERCA
9	4642	STATOR EVO	STATOR EVO	STATOR EVO
10	Y086	CLAUETTE PIGNON UILLO	KEY	CHAVETA GRANDE

**Embrayage / Clutch / Embrague**



POS.	50	FRANÇAIS	ENGLISH	ESPAÑOL
1	6319	DISQUE EMBRAYAGE GARNI	FRICTION PLATE	DISCO FORRADO
2	6369	DISQUE EMBRAYAGE LISSE	PLATE CLUTCH	DISCO LISO
3	Y069	NOIX EMBRAYAGE	CLUTCH HUB	MAZA EMBRAGUE
4	Y068	CLOCHE EMBRAYAGE AV PIGN.	CLUTCH BASKET ASSEMBLY	CAMPANA EMBRAGUE CON PIÑÓN
5	Y072	RESSORT EMBRAYAGE	SPRING PRESSURE	MUELLE EMBRAGUE
6	Y090	ECROU INTERIEUR EMBRAYAGE	NUT	TUERCA INTERIOR EMBRAGUE
7	Y111	VIS TH	SCREW	TORNILLO HEXAGONAL
8	Y109	RONDELLE	WASHER LOCK	ARANDELA ESPECIAL
9	Y096	ECROU H7 CH 17	NUT HEXAGON	TUERCA
10	Y089	ECROU	NUT HEXAGON	TUERCA
11	Y046	PLAQUE PRESSION EMBRAYAGE	PRESSURE PLATE	PLACA PRESIÓN EMBRAGUE
12	Y123	VIS TH	SCREW HEXAGON HEAD	TORNILLO DIN 912
13	Y108	RONDELLE	WASHER	ARANDELA

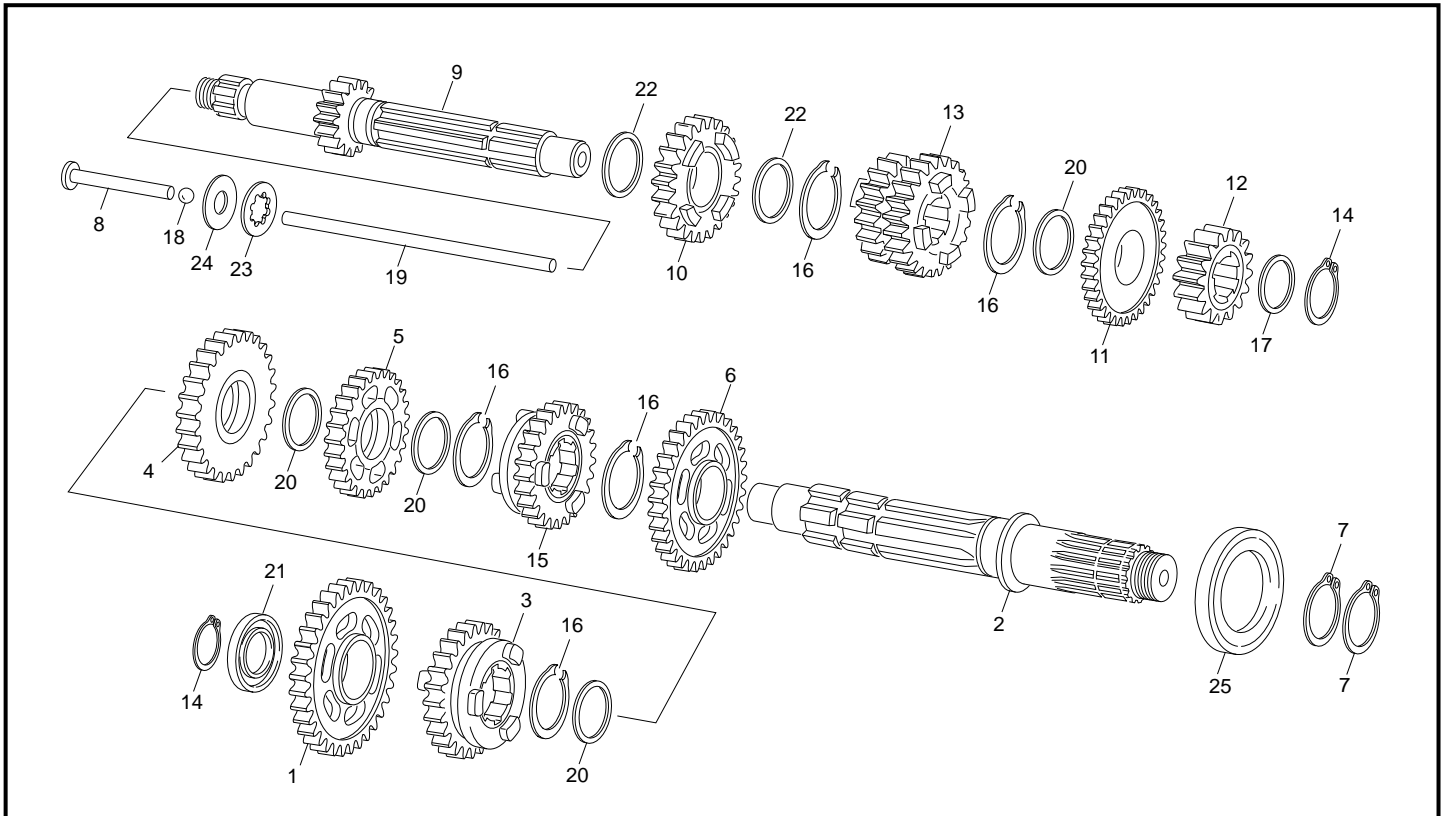


**Culasse / Cylinder head / Culata**


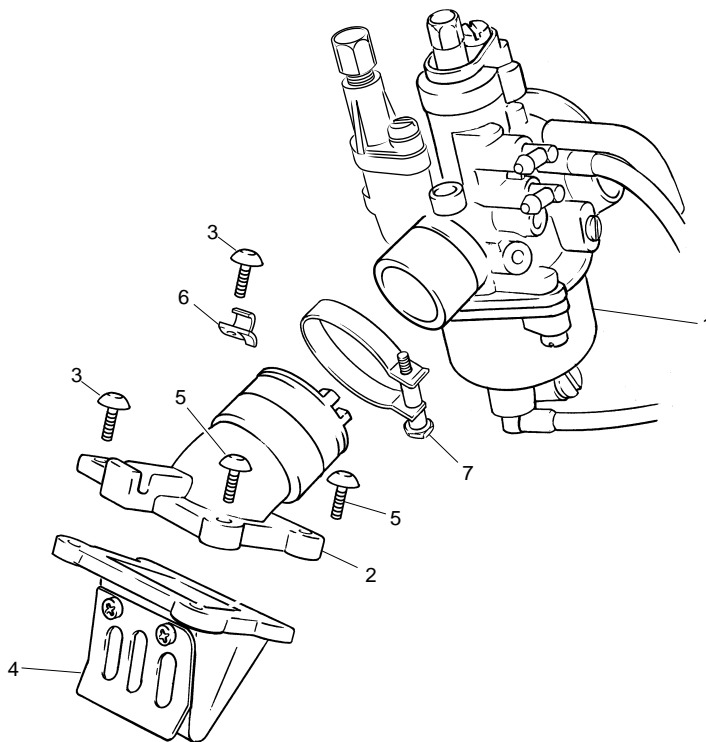
POS.	50	FRANÇAIS	ENGLISH	ESPAÑOL
1	Y209	CULASSE	HEAD CYLINDER	CULATA
2	Y148	JOINT DE CULASSE	CYLINDER HEAD	JUNTAS CULATA
3	Y024	CYLINDRE D40.3 112 RAF LIQUI. CATA.	CYLINDER CATA.	CILINDRO CATA.
4	6479	PISTON D 40.3	PISTON	PISTÓN
5	6480	GOUJON CYLINDRE	CYLINDRE STUD	PERNO CILINDRO
6	6371	SEGMENTD 40.3	PISTON RIING SET STD	ARO
7	6481	BOUGIE NGK BR9 ES	SPARKPLUG	BUJÍA
8	Y113	VIS THERMOSTAT	THERMOSTAT SCREW	TORNILLO TERMOSTATO
9	6372	ECROU AUTOBLOCK	NUT CAP	TUERCA
10	Y009	CLIP PISTON	PISTON CIRCLIP	CIRCLIP ARBOL
11	Y175	AXE PISTON	PISTON PIN	BULÓN PISTÓN
12	Y164	JOINT DE CYLINDRE	CYLINDER GASKET	JUNTAS CILINDRO
13	Y773	JEUX DE JOINTS	GASKET KIT	JUEGO JUNTAS CILINDRO
14	Y167	THERMOSTAT	THERMOSTAT	TERMOSTATO
15	7529*	SONDE TEMPERATURE EAU 50	WATHER TEMP. SENSOR 50	SONDA TEMPERATURA AGUA 50
16	Y150	JOINT DE POT	EXHAUST GASKET	JUNTA ESCAPE
17	Y149	TORIQUE CULASSE	HEAD CYLINDER GASKET	JUNTA TÓRICA CULATA

\* NOUVELLE PIECE  
 NEW PART  
 PIEZA NUEVA

### Boite a vitesses / Gear set / Cambio



POS.	50	FRANÇAIS	ENGLISH	ESPAÑOL
1	5787	PIGNON DEUXIEME PREMIERE	GEAR 1ND	PIÑÓN 1
2	5788	ARBRE SECONDAIRE	AXLE DRIVE	EJE SEGUNDARIO
3	5789	PIGNON CINQUIEME	GEAR 5TH	PIÑÓN 5
4	5790	PIGNON TROISIEME	GEAR 3RD	PIÑÓN 3
5	5791	PIGNON QUATRIEME	GEAR 4TH	PIÑÓN 4
6	5792	PIGNON DEUXIEME	GEAR 2ST	PIÑÓN 2
7	Y014	CIRCLIPS ARBRE D20	CIRCLIP	CIRCLIP ARBOL D20
8	Y174	TIGE POUSSE EMBRAYAGE	ROD, PUSH	VARILLA PULSADOR EMBRAGUE
9	5786	ARBRE PRIMAIRE	AXLE MAIN	EJE PRIMARIO
10	5793	PIGNON CINQUIEME	GEAR 5TH PINION	PIÑÓN 5
11	5794	PIGNON SIXIEME	GEAR 6TH PINION	PIÑÓN 6
12	5795	PIGNON SECONDE	GEAR 2ND PINION	PIÑÓN 2
13	5796	PIGNON TROISIEME QUATRIEME	GEAR 3RD/4TH PINION	PIÑÓN 3/4
14	5797	CIRCLIPS ARBRE D14	CIRCLIP 14	CIRCLIP ARBOL 14D
15	5798	PIGNON SIXIEME	GEAR 6TH	PIÑÓN 6
16	5799	CIRCLIPS ARBRE D20	CIRCLIP	CLIP FIJO
17	5803	RONDELLE PLEINE	WASHER	ARANDELA
18	Y141	BILLE TIGE EMBRAYAGE	ROD PUSH BALL	BOLA VARILLA EMBRAGUE
19	Y166	TIGE EMBRAYAGE	ROD PUSH	VARILLA EMBRAGUE
20	5800	RONDELLE	WASHER	ARANDELA
21	5801	RONDELLE	WASHER	ARANDELA
22	5802	RONDELLE PLEINE	WASHER	ARANDELA PLANA
23	Y078	RONDELLE RESSORT	WASHER CONICAL SPRING	ARANDELA MUELLE
24	Y105	RONDELLE	PLATE THRUST	ARANDELA
25	Y163	JT SPI ARBRE SECONDAIRE	OIL SEAL	RETÉN EJE SECUNDARIO

**Carburateur / Carburetor / Carburador**


POS.	50	FRANÇAIS	ENGLISH	ESPAÑOL
1	Y210	CARBURATEUR PHBN 16 05/R 3173	CARBURETOR PHBN 16 05/R 3173	CARBURADOR PHBN 16 05/R 3173
2	Y211	PIPE ADMISSION PLASTIQUE	MANIFOLD PLASTIC	TOBERA ADMISIÓN PLÁSTICO
3	Y130	VIS M6X20	SCREW M6X20	TORNILLO M6X20
4	Y180	BOÎTE À CLAPET	REED VALVE ASSY	CAJA DE LÁMINAS COMPLETA
5	Y131	VIS BTR	SCREW BTR	TORNILLO DIN 912
6	Y187	ARRET DE CABLE	HOLDER	TOPE CABLE EMBRAGUE
7	Y081	COLLIER NORMA 30/45	COLLAR NORMA 30/45	ABRAZADERA 30/45



2019

**SHERCO**  
[www.sherco.com](http://www.sherco.com)

**SHERCO**  
Motorcycles



**MINERVA OIL**

**KENNY**



**GALFER**



**SELLE DALLA VALLE**  
ITALY

